

3-520132-2 ✓ ACTIVE

Ultra-Fast | Ultra-Fast 250

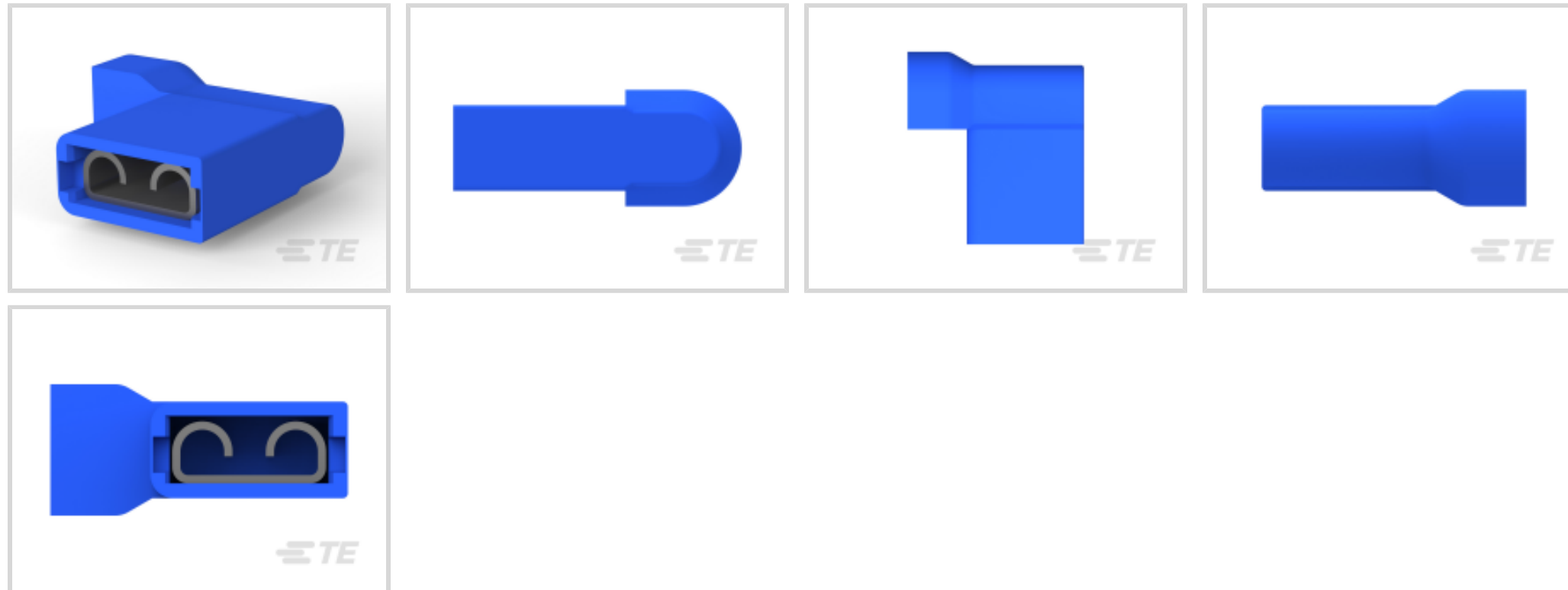
TE Internal #: 3-520132-2

Quick Disconnects, Receptacle, 16 – 14 AWG Wire Size, 1.31 – 2.08 mm<sup>2</sup> Wire Size, Mating Tab Width 6.35 mm [.25 in], Flag, Brass, Ultra-Fast 250

[View on TE.com >](#)



Terminals & Splices > Quick Disconnects



Quick Disconnect Terminal Type: **Receptacle**

Wire Size: 1.31 – 2.08 mm<sup>2</sup>

Mating Tab Width: 6.35 mm [.25 in]

Mating Tab Thickness: .81 mm [.032 in]

## Features

### Product Type Features

Insertion Force	Low
-----------------	-----

### Configuration Features

Connection Capacity	Single
---------------------	--------

Compatible With Wire & Cable Type	Discrete Wire
-----------------------------------	---------------

### Electrical Characteristics

Voltage Rating	600 V
----------------	-------

### Body Features

Insulation Material	Nylon
---------------------	-------

### Contact Features

Quick Disconnect Terminal Type	Receptacle
--------------------------------	------------

Mating Tab Width	6.35 mm [.25 in]
------------------	------------------

Mating Tab Thickness	.81 mm [.032 in]
----------------------	------------------

Terminal Orientation	Flag
----------------------	------

Contact Base Material	Brass
-----------------------	-------



Terminal Plating Material	Tin
Crimp Type	F-Crimp
Barrel Type	Closed

#### Termination Features

Product Terminates To	Wire & Cable
-----------------------	--------------

#### Mechanical Attachment

Wire Insulation Support	With
Mating Retention Type	Dimple

#### Dimensions

Terminal Material Thickness	.41 mm[.016 in]
Product Length	16.05 mm[.632 in]
Compatible Insulation Diameter Range	4.7 mm[.185 in]
Wire Size	1.31 – 2.08 mm <sup>2</sup>

#### Usage Conditions

Insulation Option	Fully Insulated
Operating Temperature Range	-40 – 110 °C[-40 – 230 °F]

#### Industry Standards

Agency/Standard	UL
Approved Standards	CSA LR7189, UL E66717
UL Flammability Rating	UL 94V-2

#### Packaging Features

Packaging Quantity	2100
Packaging Method	Strip/Reel

#### Other

Barrel Color	Blue
--------------	------

#### Product Compliance

[For compliance documentation, visit the product page on TE.com>](#)

EU RoHS Directive 2011/65/EU	Compliant
EU ELV Directive 2000/53/EC	Compliant
China RoHS 2 Directive MIIT Order No 32, 2016	No Restricted Materials Above Threshold
EU REACH Regulation (EC) No. 1907/2006	



Current ECHA Candidate List: JUNE 2023 (235)  
 Candidate List Declared Against: JUNE 2023 (235)  
 Does not contain REACH SVHC

Halogen Content  
 Low Halogen - Br, Cl, F, I < 900 ppm per homogenous material. Also BFR/CFR/PVC Free

Solder Process Capability  
 Not applicable for solder process capability

Product Compliance Disclaimer

This information is provided based on reasonable inquiry of our suppliers and represents our current actual knowledge based on the information they provided. This information is subject to change. The part numbers that TE has identified as EU RoHS compliant have a maximum concentration of 0.1% by weight in homogenous materials for lead, hexavalent chromium, mercury, PBB, PBDE, DBP, BBP, DEHP, DIBP, and 0.01% for cadmium, or qualify for an exemption to these limits as defined in the Annexes of Directive 2011/65/EU (RoHS2). Finished electrical and electronic equipment products will be CE marked as required by Directive 2011/65/EU. Components may not be CE marked. Additionally, the part numbers that TE has identified as EU ELV compliant have a maximum concentration of 0.1% by weight in homogenous materials for lead, hexavalent chromium, and mercury, and 0.01% for cadmium, or qualify for an exemption to these limits as defined in the Annexes of Directive 2000/53/EC (ELV). Regarding the REACH Regulation, the information TE provides on SVHC in articles for this part number is based on the latest European Chemicals Agency (ECHA) 'Guidance on requirements for substances in articles' posted at this URL: <https://echa.europa.eu/guidance-documents/guidance-on-reach>

### Compatible Parts



TE Part # 90391-3  
 DIES ULTRA-FAST FASTON 16-14 DIE SET



TE Part # 2150253-2  
 OCEAN\_2.0\_APPLICATOR-E-237D




TE Part # 7-2150253-2  
 OCEAN\_2.0\_APPLICATOR-E-237D




TE Part # 7-2150253-7  
 OCEAN\_2.0\_SPARE\_PART\_KIT-237D


### Also in the Series | Ultra-Fast 250



Automotive Connector Caps & Covers (1)



Automotive Housings(6)



Quick Disconnects(49)

### Customers Also Bought



TE Part #3-644038-4  
04P MTA100 CONN ASSY POL 15AU



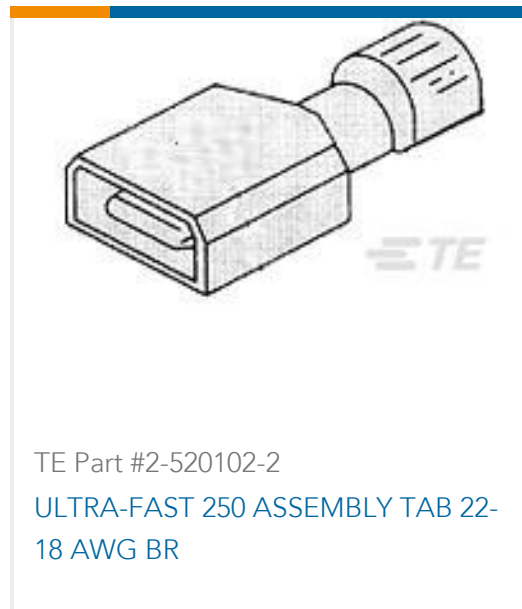
TE Part #521282-2  
ULTRA-POD 250 ASSY REC 18-14  
AWG TPBR



TE Part #521780-1  
250 HSG. PL MKIII REC. 7.11mm 5P  
NAT



TE Part #4-520447-2  
ULTRA-FAST 250 ASY REC 12-10 AWG  
TPBR



TE Part #2-520102-2  
ULTRA-FAST 250 ASSEMBLY TAB 22-  
18 AWG BR



TE Part #2-520183-2  
ULTRA-FAST 250 ASY REC 22-18 TPBR



TE Part #2-520334-2  
ULTRAFast 187 ASSY FLAG REC 22-  
18 TPBR



TE Part #52949-3  
PG SPR SPD 22-16COMM 22-18MIL6



TE Part #456412-7  
CRIMPER, WIRE .180 "F"

## Documents

### Product Drawings

[ULTRAFast 250 ASSY FLAG REC 16-14 TPBR](#)

English

### CAD Files

[3D PDF](#)

3D

Customer View Model

[ENG\\_CVM\\_CVM\\_3-520132-2\\_S.2d\\_dxf.zip](#)

English

Customer View Model

[ENG\\_CVM\\_CVM\\_3-520132-2\\_S.3d\\_igs.zip](#)

English

Customer View Model

[ENG\\_CVM\\_CVM\\_3-520132-2\\_S.3d\\_stp.zip](#)

English

By downloading the CAD file I accept and agree to the [Terms and Conditions](#) of use.

### Datasheets & Catalog Pages



## Ultra-Fast and Ultra Fast Plus

English

---

### Product Specifications

#### Application Specification

English

---

### Product Environmental Compliance

#### Product Compliance Document

English

#### Product Compliance Document

English

---

### Agency Approvals

#### UL

English