



Application Tooling > Spare & Wear Tooling



Applicator & Product Style: **OCEAN**

Features

Other

Applicator & Product Style	OCEAN
----------------------------	-------

Product Compliance

[For compliance documentation, visit the product page on TE.com>](#)

EU RoHS Directive 2011/65/EU	Compliant
EU ELV Directive 2000/53/EC	Compliant
China RoHS 2 Directive MIIT Order No 32, 2016	No Restricted Materials Above Threshold
EU REACH Regulation (EC) No. 1907/2006	Current ECHA Candidate List: JUNE 2023 (235) Candidate List Declared Against: JUNE 2023 (235) Does not contain REACH SVHC
Halogen Content	Low Halogen - Br, Cl, F, I < 900 ppm per homogenous material. Also BFR/CFR/PVC Free
Solder Process Capability	Not applicable for solder process capability

Product Compliance Disclaimer

This information is provided based on reasonable inquiry of our suppliers and represents our current actual knowledge based on the information they provided. This information is subject to change. The part numbers that TE has identified as EU RoHS compliant have a maximum concentration of 0.1% by weight in homogenous materials for lead, hexavalent chromium, mercury, PBB, PBDE, DBP, BBP, DEHP, DIBP, and 0.01% for cadmium, or qualify for an exemption to these limits as defined in the Annexes of Directive 2011/65/EU (RoHS2). Finished electrical and electronic equipment products will be CE marked as required by Directive 2011/65/EU. Components may not be CE marked. Additionally, the part numbers that TE has identified as EU ELV compliant have a maximum concentration of 0.1% by weight in homogenous materials for lead, hexavalent chromium, and mercury, and 0.01% for cadmium, or qualify for an exemption to these limits as defined in the Annexes of Directive 2000/53/EC (ELV). Regarding the REACH Regulation, the information TE provides on SVHC in articles for this part number is based on the latest European Chemicals Agency (ECHA) 'Guidance on requirements for substances in articles' posted at this URL: <https://echa.europa.eu/guidance-documents/guidance-on-reach>

Compatible Parts



TE Part # 2151500-1
OCEAN_2.0_APPLICATOR-S-090F130F



KIT
REPRESENTATION ONLY
TE Part # 7-2836717-7
OC-090F122OV-CRIMPTOOLINGKIT



TE Part # 2151174-1
OCEAN_2.0_Applicator-S-090F200F



TE Part # 2-2150352-2
OCEAN_2.0_APPLICATOR-E-090F130F



TE Part # 2-2150437-1
OC-PA-E-FM-090F180O-001-0046



TE Part # 2-2150437-2
OC-PA-E-FA-090F180O-001-0046



TE Part # 2-2150516-1
OC-PA-E-FM-090F140F-001-0045



TE Part # 2-2150516-2
OC-PA-E-FA-090F140F-001-0045



TE Part # 2-2150577-2
OC-PA-E-FA-090F110O-001-0030



TE Part # 2-2150595-1
OC-PA-E-FM-090F130F-094-1286



TE Part # 2-2150595-2
OC-PA-E-FA-090F130F-094-1286



TE Part # 2-2266014-1
OCEAN_2.0_Applicator-S-090F140O



TE Part # 2-2266014-2
OCEAN_2.0_Applicator-S-090F140O



TE Part # 2-2266393-1
OC-PA-S-FM-090F160O-136-0424



TE Part # 2-2266393-2
OC-PA-S-FA-090F160O-136-0424



TE Part # 2-2266644-1
OC-PA-S-FM-090F170O-105-0468



TE Part # 2-2266644-2
OC-PA-S-FA-090F170O-105-0468



TE Part # 2-2266878-1
OC-PA-S-FM-090F130O-059-1105

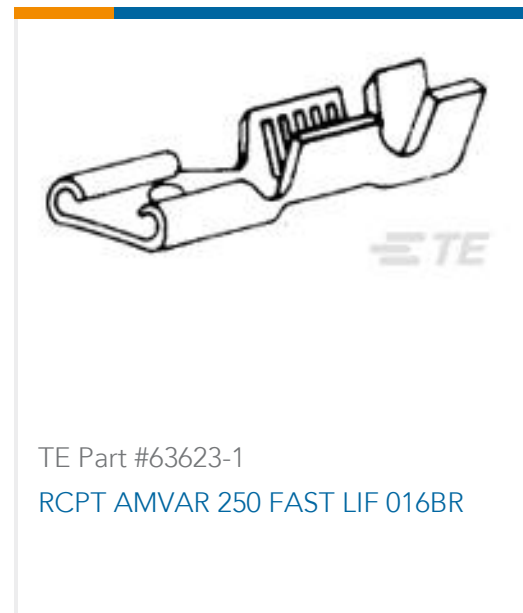


TE Part # 2-2266915-1
OC-PA-S-FM-090F120F-059-1104



TE Part # 2-2395065-2
OCEAN-2.0-APPLICATOR-E-090F150F

Customers Also Bought



Documents

Datasheets & Catalog Pages

[CRIMPING WHERE FORM MEETS FUNCTION](#)

English

Instruction Sheets

[Instruction Sheet \(U.S.\)](#)

English