

FSMIJ62BR04 ✓ ACTIVE

Alcoswitch | Alcoswitch FSMIJ

TE Internal #: 3-2213818-1

Tactile Switches, Rectangular Actuator Style, Off (On), Brass, Silver,
50 mA, Single Pole - Single Throw Configuration (Pole-Throw),
Alcoswitch FSMIJ

[View on TE.com >](#)



Relays, Contactors & Switches > Switches > Tactile Switches



Actuator Style: **Rectangular**

Operating Function: **Off (On)**

Contact Base Material: **Brass**

Switch Contact Plating Material: **Silver**

Dust Proof: **No**

Features

Product Type Features

Illuminated	With
Actuator Style	Rectangular
Dust Proof	No

Configuration Features

Operating Function	Off (On)
Configuration (Pole-Throw)	Single Pole - Single Throw
Number of Actuators	Single

Body Features

Actuator Color	Brown
----------------	-------

Contact Features

Contact Base Material	Brass
Switch Contact Plating Material	Silver
Tactile Switch Contact Current Rating	50 mA

Mechanical Attachment

Tactile Switch Mounting Type	Through Hole
Tactile Switch Mounting Angle	Vertical

Housing Features



Process Sealed	No
----------------	----

Product Compliance

[For compliance documentation, visit the product page on TE.com>](#)

EU RoHS Directive 2011/65/EU	Compliant
EU ELV Directive 2000/53/EC	Compliant
China RoHS 2 Directive MIIT Order No 32, 2016	No Restricted Materials Above Threshold
EU REACH Regulation (EC) No. 1907/2006	Current ECHA Candidate List: JUNE 2023 (235) Candidate List Declared Against: JUNE 2023 (235) Does not contain REACH SVHC
Halogen Content	Not Low Halogen - contains Br or Cl > 900 ppm.
Solder Process Capability	Wave solder capable to 265°C

Product Compliance Disclaimer

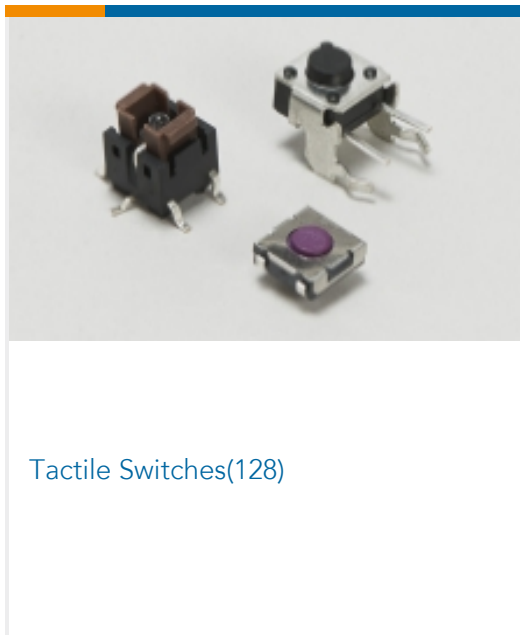
This information is provided based on reasonable inquiry of our suppliers and represents our current actual knowledge based on the information they provided. This information is subject to change. The part numbers that TE has identified as EU RoHS compliant have a maximum concentration of 0.1% by weight in homogenous materials for lead, hexavalent chromium, mercury, PBB, PBDE, DBP, BBP, DEHP, DIBP, and 0.01% for cadmium, or qualify for an exemption to these limits as defined in the Annexes of Directive 2011/65/EU (RoHS2). Finished electrical and electronic equipment products will be CE marked as required by Directive 2011/65/EU. Components may not be CE marked. Additionally, the part numbers that TE has identified as EU ELV compliant have a maximum concentration of 0.1% by weight in homogenous materials for lead, hexavalent chromium, and mercury, and 0.01% for cadmium, or qualify for an exemption to these limits as defined in the Annexes of Directive 2000/53/EC (ELV). Regarding the REACH Regulation, the information TE provides on SVHC in articles for this part number is based on the latest European Chemicals Agency (ECHA) 'Guidance on requirements for substances in articles' posted at this URL: <https://echa.europa.eu/guidance-documents/guidance-on-reach>

Compatible Parts

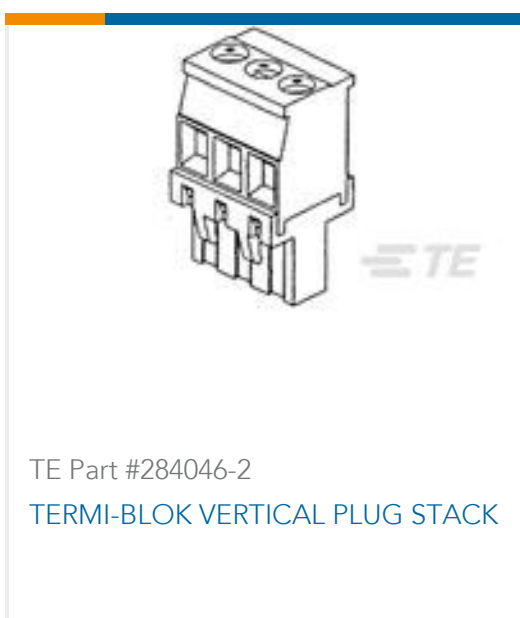
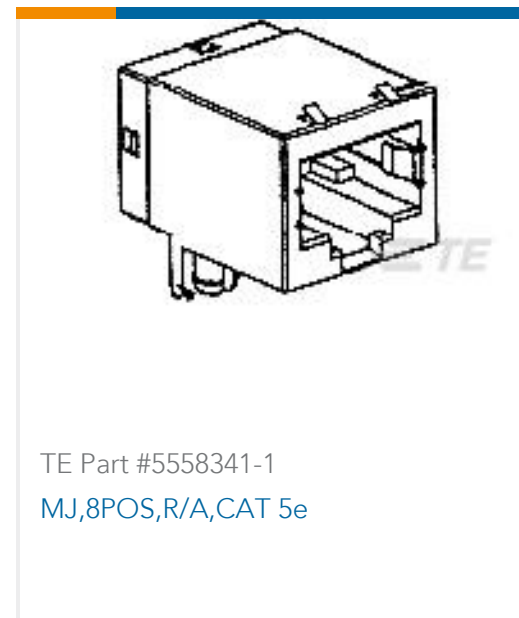
 <p>TE Part # 5-2213819-3 6X6 ILL TACT SMT 520GF LI SOFT ORANGE</p>	 <p>TE Part # 2-2213819-9 6X6 ILL TACT SMT 160GF HI SOFT ORANGE</p>	 <p>TE Part # 4-2213819-5 6X6 ILL TACT SMT 260GF HI SOFT ORANGE</p>	 <p>TE Part # 4-2213819-8 6X6 ILL TACT SMT 260GF HI COLD WHITE</p>
--	--	--	---



Also in the Series | Alcoswitch FSMIJ



Customers Also Bought





Documents

Product Drawings

[6X6 ILL TACT THT 160GF HI RED](#)

English

CAD Files

[3D PDF](#)

3D

Customer View Model

[ENG_CVM_CVM_3-2213818-1_B.2d_dxf.zip](#)

English

Customer View Model

[ENG_CVM_CVM_3-2213818-1_B.3d_igs.zip](#)

English

Customer View Model

[ENG_CVM_CVM_3-2213818-1_B.3d_stp.zip](#)

English

By downloading the CAD file I accept and agree to the [Terms and Conditions](#) of use.

Datasheets & Catalog Pages

[SWITCHES_CORE_PROGRAM_CATALOG](#)

English