

3-2177198-1 ✓ ACTIVE

MQS

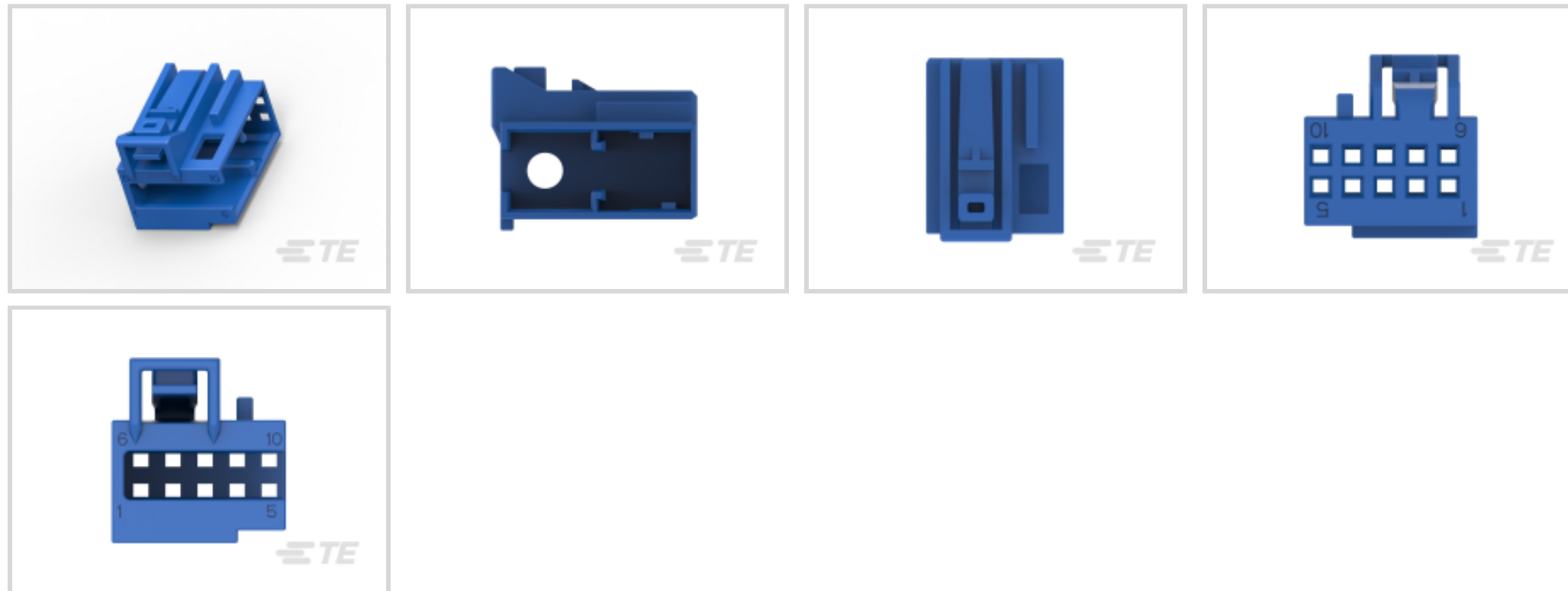
TE Internal #: 3-2177198-1

Automotive Connector Caps & Covers, Cover, Cable Exit Angle 180°, Blue, PBT GF, 10 Position, -40 – 221 °F [-40 – 105 °C], MQS

[View on TE.com >](#)



Connectors > Automotive Connectors > Automotive Connector Accessories > Automotive Connector Caps & Covers



Protection & Strain Relief Accessory Type: **Cover**

Cable Exit Angle: **180°**

Strain Relief: **Without**

Primary Product Color: **Blue**

Primary Product Material: **PBT GF**

Features

Product Type Features

| | |
|---|-------|
| Protection & Strain Relief Accessory Type | Cover |
|---|-------|

Configuration Features

| | |
|--------------------------------|----|
| Compatible With Connector Code | C |
| Number of Positions | 10 |

Body Features

| | |
|--------------------------|--------|
| Cable Exit Angle | 180° |
| Primary Product Color | Blue |
| Primary Product Material | PBT GF |

Mechanical Attachment

| | |
|---------------|---------|
| Strain Relief | Without |
|---------------|---------|

Usage Conditions

| | |
|-----------------------------|----------------------------|
| Operating Temperature (Max) | 105 °C[221 °F] |
| Operating Temperature Range | -40 – 105 °C[-40 – 221 °F] |

Industry Standards



| | |
|------------------------|---------|
| UL Flammability Rating | UL 94HB |
|------------------------|---------|

Packaging Features

| | |
|------------------|-------------|
| Packaging Method | Loose Piece |
|------------------|-------------|

Other

| | |
|-------------|----|
| Serviceable | No |
|-------------|----|

Product Compliance

[For compliance documentation, visit the product page on TE.com>](#)

| | |
|------------------------------|-----------|
| EU RoHS Directive 2011/65/EU | Compliant |
|------------------------------|-----------|

| | |
|-----------------------------|-----------|
| EU ELV Directive 2000/53/EC | Compliant |
|-----------------------------|-----------|

| | |
|---|---|
| China RoHS 2 Directive MIIT Order No 32, 2016 | No Restricted Materials Above Threshold |
|---|---|

| | |
|--|---|
| EU REACH Regulation (EC) No. 1907/2006 | Current ECHA Candidate List: JUNE 2023 (235) Candidate List Declared Against: JUNE 2023 (235) Does not contain REACH SVHC |
|--|---|

| | |
|-----------------|---|
| Halogen Content | Low Halogen - Br, Cl, F, I < 900 ppm per homogenous material. Also BFR/CFR/PVC Free |
|-----------------|---|

| | |
|---------------------------|--|
| Solder Process Capability | Not applicable for solder process capability |
|---------------------------|--|

Product Compliance Disclaimer

This information is provided based on reasonable inquiry of our suppliers and represents our current actual knowledge based on the information they provided. This information is subject to change. The part numbers that TE has identified as EU RoHS compliant have a maximum concentration of 0.1% by weight in homogenous materials for lead, hexavalent chromium, mercury, PBB, PBDE, DBP, BBP, DEHP, DIBP, and 0.01% for cadmium, or qualify for an exemption to these limits as defined in the Annexes of Directive 2011/65/EU (RoHS2). Finished electrical and electronic equipment products will be CE marked as required by Directive 2011/65/EU. Components may not be CE marked. Additionally, the part numbers that TE has identified as EU ELV compliant have a maximum concentration of 0.1% by weight in homogenous materials for lead, hexavalent chromium, and mercury, and 0.01% for cadmium, or qualify for an exemption to these limits as defined in the Annexes of Directive 2000/53/EC (ELV). Regarding the REACH Regulation, the information TE provides on SVHC in articles for this part number is based on the latest European Chemicals Agency (ECHA) 'Guidance on requirements for substances in articles' posted at this URL: <https://echa.europa.eu/guidance-documents/guidance-on-reach>

Also in the Series | [MQS](#)



Automotive Connector Caps & Covers (138)



Automotive Connector EMC Shielding (3)



Automotive Connector Locks & Position Assurance(30)



Automotive Housings(507)



Automotive Terminals(104)



Connector Seals & Cavity Plugs(27)



Insertion & Extraction Tools(42)

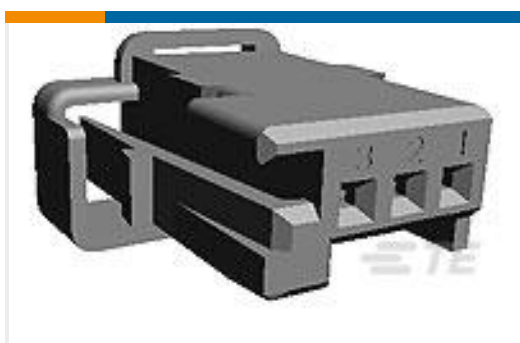


Other Automotive Connector Accessories(14)



PCB Headers & Receptacles(213)

Customers Also Bought



TE Part #953697-1
3POS MQS REC



TE Part #2098583-2
Contact, 50 Series, fem, 0.35-



TE Part #2150343-1
OCEAN_2.0_Applicator-E-080F0900



TE Part #2151265-1
OCEAN-2.0-APPLICATOR-S-042F0620



TE Part #2266165-1
OCEAN_2.0_APPPLICATOR-S-055F0720



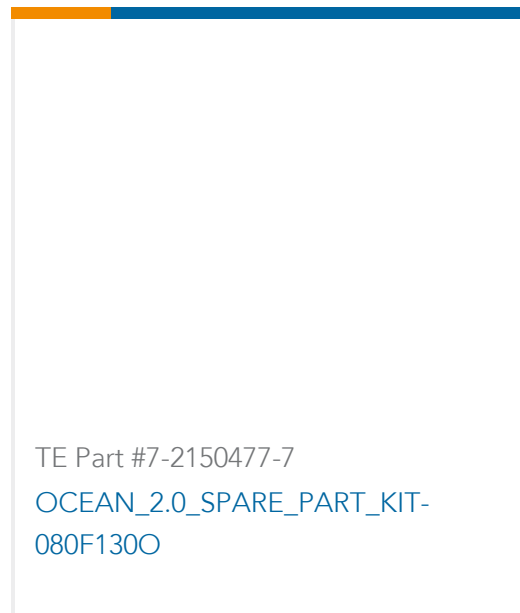
TE Part #7-2150343-7
OCEAN_2.0_SPARE_PART_KIT-080F0900



TE Part #7-2151265-7
OCEAN_2.0_SPARE_PART_KIT-042F0620



TE Part #7-2151491-7
OCEAN_2.0_SPARE_PART_KIT-055F0800



Documents

Product Drawings

[COVER,10 POS. MQS,BU](#)

English

CAD Files

[3D PDF](#)

3D

Customer View Model

[ENG_CVM_CVM_3-2177198-1_A.2d_dxf.zip](#)

English

Customer View Model

[ENG_CVM_CVM_3-2177198-1_A.3d_igs.zip](#)

English

Customer View Model

[ENG_CVM_CVM_3-2177198-1_A.3d_stp.zip](#)

English

By downloading the CAD file I accept and agree to the [Terms and Conditions](#) of use.

Datasheets & Catalog Pages

[Micro Quadlok Interconnection System \(MQS\)](#)

English