

3-215877-1 ✓ ACTIVE

Alcoswitch SE

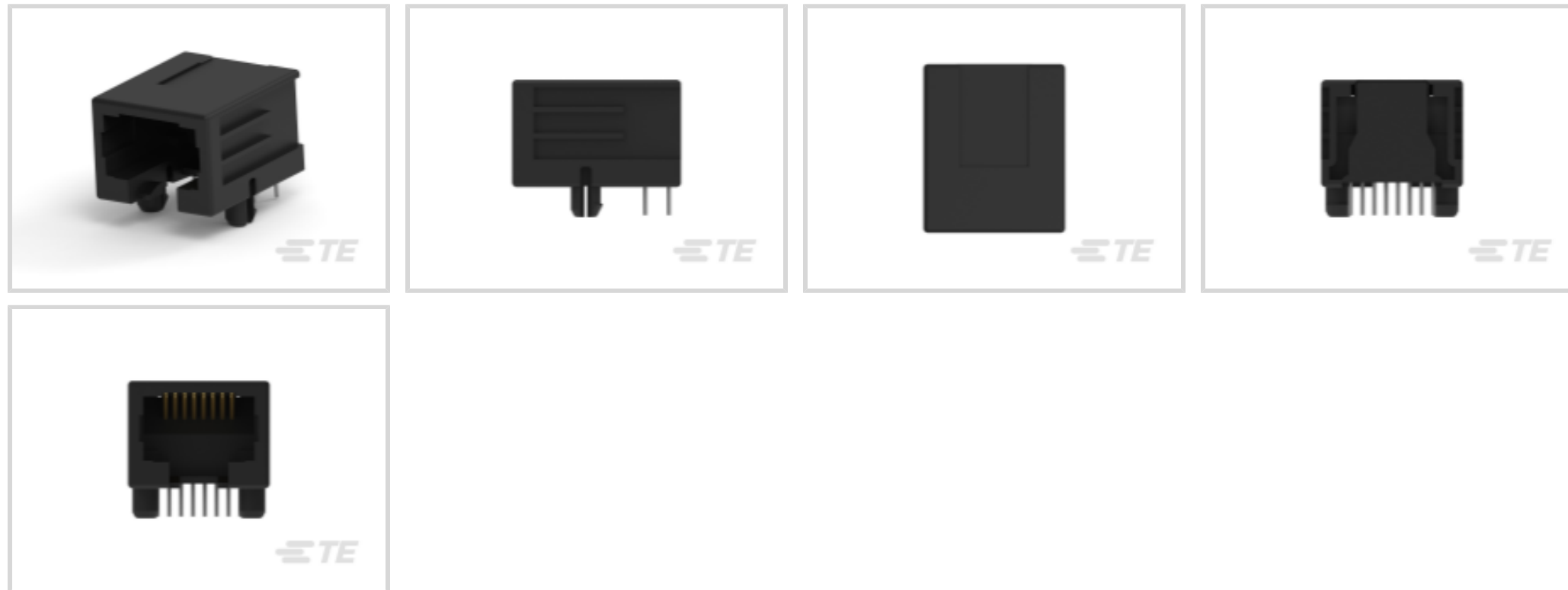
TE Internal #: 3-215877-1

RJ45 Connectors, RJ45, Single Port, 1 x 1, RJ Type Jacks & Plugs, Standard Connector Contact Density, Jack, Cat 3, Alcoswitch SE

[View on TE.com >](#)



Connectors > Modular Jacks & Plugs > RJ45 Connectors



Modular Jack & Plug Interface Type: **RJ45**

Port Configuration: **Single Port**

Port Matrix Configuration: **1 x 1**

Modular Jacks & Plugs Products: **RJ Type Jacks & Plugs**

Connector Contact Density: **Standard**

Features

Product Type Features

Connector Product Type	Connector Assembly
Modular Jack & Plug Interface Type	RJ45
Modular Jacks & Plugs Products	RJ Type Jacks & Plugs
Modular Connector Style	Jack
Grounding Options	None
Connector & Contact Terminates To	Printed Circuit Board

Configuration Features

Status Indicator Type	None
Port Configuration	Single Port
Port Matrix Configuration	1 x 1
Connector Contact Density	Standard
Number of Positions	8
Number of Loaded Positions	8
PCB Mount Orientation	Right Angle

Body Features



Modular Jack Latch Orientation	Standard - Latch Down
--------------------------------	-----------------------

Connector Profile	Low
-------------------	-----

Contact Features

PCB Contact Termination Area Plating Material	Tin
---	-----

Contact Current Rating (Max)	1.5 A
------------------------------	-------

Contact Mating Area Plating Material	Nickel
--------------------------------------	--------

Contact Base Material	Phosphor Bronze
-----------------------	-----------------

Contact Mating Area Plating Material Thickness	1.27 μ m[50 μ in]
--	---------------------------

Termination Features

Termination Method to Printed Circuit Board	Through Hole - Solder
---	-----------------------

Termination Post & Tail Length	3 mm[.118 in]
--------------------------------	---------------

Mechanical Attachment

Panel Mount Feature	Without
---------------------	---------

Connector Mounting Type	Board Mount
-------------------------	-------------

Housing Features

Mating Entry Location	Side
-----------------------	------

Centerline (Pitch)	1.02 mm[.04 in]
--------------------	-----------------

Housing Color	Gray
---------------	------

Housing Material	PBT
------------------	-----

Dimensions

PCB Thickness (Recommended)	1.6 mm[.063 in]
-----------------------------	-----------------

Connector Height	11.5 mm[.453 in]
------------------	------------------

Usage Conditions

Operating Temperature Range	-45 – 70 °C[-40 – 158 °F]
-----------------------------	---------------------------

Operation/Application

Shielded	No
----------	----

Circuit Application	Signal
---------------------	--------

Industry Standards

UL Flammability Rating	UL 94V-0
------------------------	----------

Performance Category	Cat 3
----------------------	-------

Packaging Features

Packaging Quantity	1000
Packaging Method	Loose Piece

Other

Modular Jacks & Plugs Comment	True positioning of the solder tines may be affected by bulk packaging.
-------------------------------	---

Product Compliance

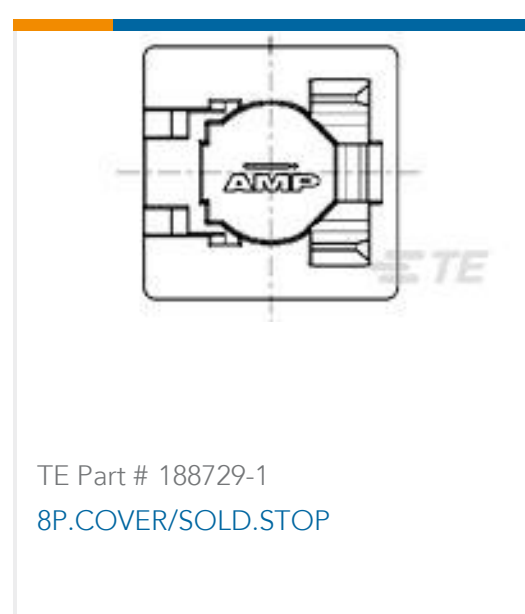
[For compliance documentation, visit the product page on TE.com>](#)

EU RoHS Directive 2011/65/EU	Compliant
EU ELV Directive 2000/53/EC	Compliant
China RoHS 2 Directive MIIT Order No 32, 2016	No Restricted Materials Above Threshold
EU REACH Regulation (EC) No. 1907/2006	Current ECHA Candidate List: JUNE 2023 (235) Candidate List Declared Against: JUNE 2023 (235) Does not contain REACH SVHC
Halogen Content	Not Low Halogen - contains Br or Cl > 900 ppm.
Solder Process Capability	Wave solder capable to 265°C

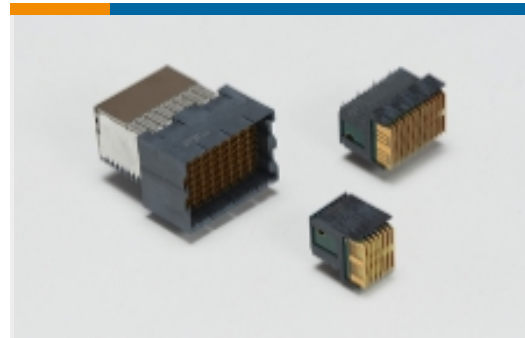
Product Compliance Disclaimer

This information is provided based on reasonable inquiry of our suppliers and represents our current actual knowledge based on the information they provided. This information is subject to change. The part numbers that TE has identified as EU RoHS compliant have a maximum concentration of 0.1% by weight in homogenous materials for lead, hexavalent chromium, mercury, PBB, PBDE, DBP, BBP, DEHP, DIBP, and 0.01% for cadmium, or qualify for an exemption to these limits as defined in the Annexes of Directive 2011/65/EU (RoHS2). Finished electrical and electronic equipment products will be CE marked as required by Directive 2011/65/EU. Components may not be CE marked. Additionally, the part numbers that TE has identified as EU ELV compliant have a maximum concentration of 0.1% by weight in homogenous materials for lead, hexavalent chromium, and mercury, and 0.01% for cadmium, or qualify for an exemption to these limits as defined in the Annexes of Directive 2000/53/EC (ELV). Regarding the REACH Regulation, the information TE provides on SVHC in articles for this part number is based on the latest European Chemicals Agency (ECHA) 'Guidance on requirements for substances in articles' posted at this URL: <https://echa.europa.eu/guidance-documents/guidance-on-reach>

Compatible Parts



Also in the Series | Alcoswitch SE



High Speed Backplane Connectors(1)



Printable Tubing(3)



RJ14 Connectors(4)



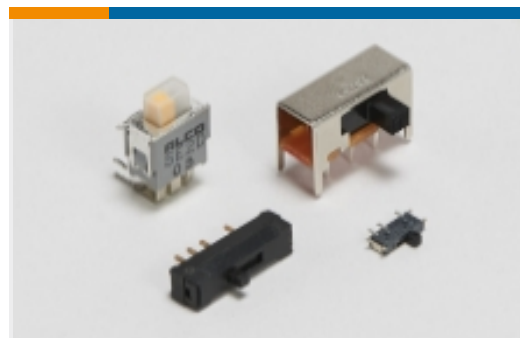
RJ22 Connectors(2)



RJ25 Connectors(5)



RJ45 Connectors(9)

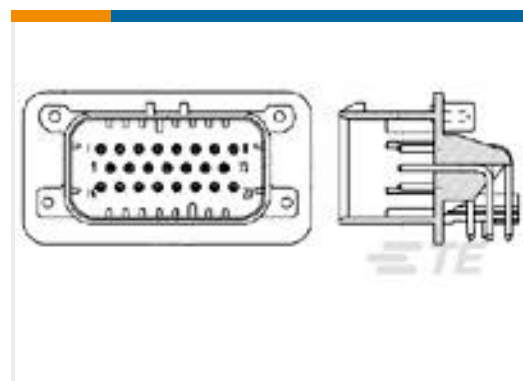


Slide Switches(5)

Customers Also Bought



TE Part #T4171010504-001
M12,REAR MOUNTING,MALE,D,4P,0.2 M WIRE



TE Part #1-776267-1
14POS,PIN DIA 1.3,HDR ASSY,90DEG, COD 1



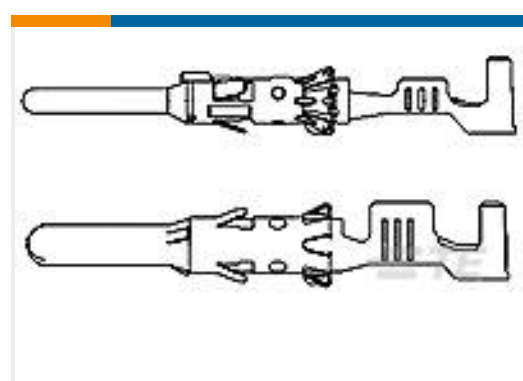
TE Part #34161
TERMINAL,PG R 16-14 10



TE Part #5555162-1
MJ,LPF,R/A,8P,PNL STOPS



TE Part #185792-1
180 DEG CAP FOR CORRUGTD TUBE



TE Part #1703014-1
DIA 1.5MM CONTACT PIN,ASSY



TE Part #2138530-1
STRAIN RELIEF,14 POSITION AMPSEAL



TE Part #2321922-3
REAR WIRE SEAL 3PIN



TE Part #TAD14545101-020
M12D4-MS-FS-PUR-22SH-TYPE C GREEN-2.0M



TE Part #5-1814400-2
SMA R/A PCB Skt GZD



Documents

Product Drawings

[8/8 PCB MOD.JACK SE](#)

English

CAD Files

Customer View Model

[ENG_CVM_CVM_3-215877-1_P.2d_dxf.zip](#)

English

[3D PDF](#)

3D

Customer View Model

[ENG_CVM_CVM_3-215877-1_P.3d_igs.zip](#)

English

Customer View Model

[ENG_CVM_CVM_3-215877-1_P.3d_stp.zip](#)

English

By downloading the CAD file I accept and agree to the [Terms and Conditions](#) of use.

Product Specifications

[side entry, top entry and bottom entry modular jacks](#)

English

[Application Specification](#)

English

Product Environmental Compliance

[MD_3-215877-1_01212017421_dmtec](#)

English

[MD_3-215877-1_01212017421_dmtec](#)

English

Agency Approvals

[UL Report](#)

English