

3-179472-0 ✓ ACTIVE

AMP CT

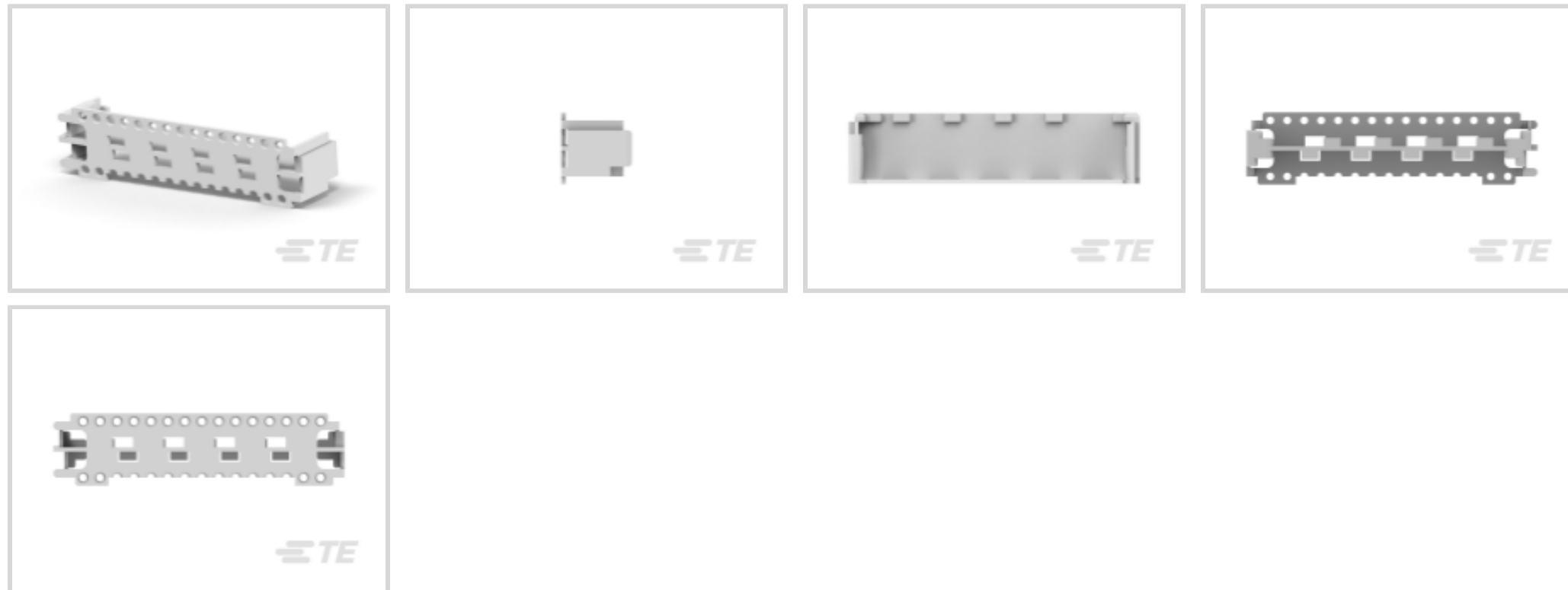
TE Internal #: 3-179472-0

PCB Connector Mounting, 30 Position, .079 in [2 mm] Centerline, 30
– 22 AWG Wire Size, Ivory, -22 – 221 °F [-30 – 105 °C], AMP CT

[View on TE.com >](#)



Connectors > PCB Connectors > PCB Connector Accessories > PCB Connector Hardware > PCB Connector Mounting



Number of Positions: 30

Centerline (Pitch): 2 mm [.079 in]

Wire Size: 30 – 22 AWG

Primary Product Color: Ivory

Operating Temperature Range: -30 – 105 °C [-22 – 221 °F]

Features

Configuration Features

Number of Positions	30
---------------------	----

Body Features

Primary Product Material	PA 66
Primary Product Color	Ivory

Housing Features

Centerline (Pitch)	2 mm [.079 in]
--------------------	----------------

Dimensions

Product Width	8.5 mm [.334 in]
Product Length	34.3 mm [1.35 in]
Product Height	8.3 mm [.326 in]
Row-to-Row Spacing	6.6 mm
Wire Size	30 – 22 AWG

Usage Conditions

Operating Temperature Range	-30 – 105 °C [-22 – 221 °F]
-----------------------------	-----------------------------



Packaging Features

Packaging Quantity	750
Packaging Method	Bag

Other

Connector Accessory Comment	For Use With CT Connector, Two receptacle connectors are applied per holder.
-----------------------------	--

Product Compliance

For compliance documentation, visit the product page on [TE.com](https://www.te.com)>

EU RoHS Directive 2011/65/EU	Compliant
EU ELV Directive 2000/53/EC	Compliant
China RoHS 2 Directive MIIT Order No 32, 2016	No Restricted Materials Above Threshold
EU REACH Regulation (EC) No. 1907/2006	Current ECHA Candidate List: JUNE 2023 (235) Candidate List Declared Against: JUNE 2023 (235) Does not contain REACH SVHC
Halogen Content	Low Halogen - Br, Cl, F, I < 900 ppm per homogenous material. Also BFR/CFR/PVC Free
Solder Process Capability	Not applicable for solder process capability

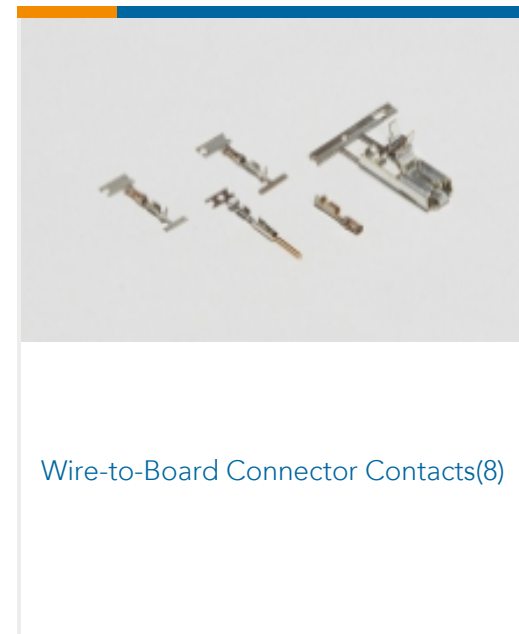
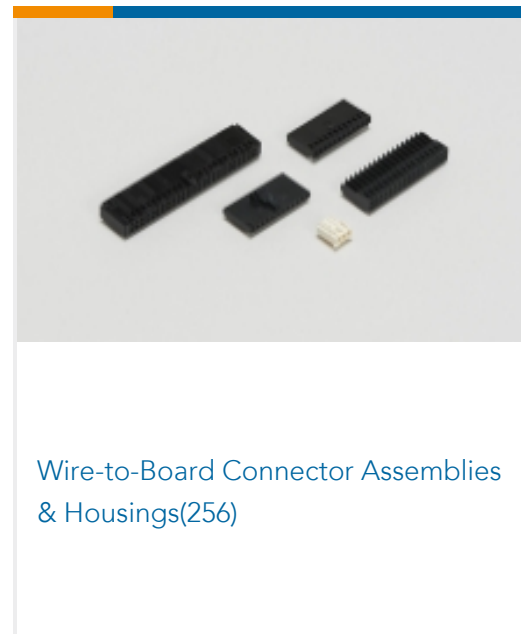
Product Compliance Disclaimer

This information is provided based on reasonable inquiry of our suppliers and represents our current actual knowledge based on the information they provided. This information is subject to change. The part numbers that TE has identified as EU RoHS compliant have a maximum concentration of 0.1% by weight in homogenous materials for lead, hexavalent chromium, mercury, PBB, PBDE, DBP, BBP, DEHP, DIBP, and 0.01% for cadmium, or qualify for an exemption to these limits as defined in the Annexes of Directive 2011/65/EU (RoHS2). Finished electrical and electronic equipment products will be CE marked as required by Directive 2011/65/EU. Components may not be CE marked. Additionally, the part numbers that TE has identified as EU ELV compliant have a maximum concentration of 0.1% by weight in homogenous materials for lead, hexavalent chromium, and mercury, and 0.01% for cadmium, or qualify for an exemption to these limits as defined in the Annexes of Directive 2000/53/EC (ELV). Regarding the REACH Regulation, the information TE provides on SVHC in articles for this part number is based on the latest European Chemicals Agency (ECHA) 'Guidance on requirements for substances in articles' posted at this URL: <https://echa.europa.eu/guidance-documents/guidance-on-reach>

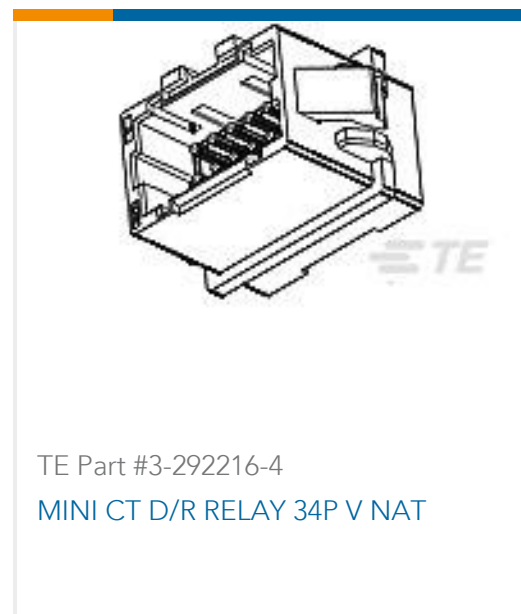
Compatible Parts

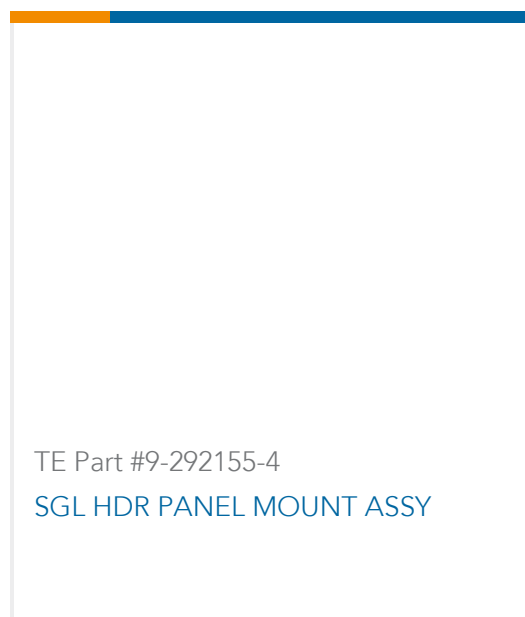


Also in the Series | AMP CT



Customers Also Bought





Documents

Product Drawings

[CT DBL ROW HOLDER,CRIMP,30P,NA](#)

English

CAD Files

[3D PDF](#)

3D

[Customer View Model](#)

[ENG_CVM_CVM_3-179472-0_B.2d_dxf.zip](#)

English

[Customer View Model](#)

[ENG_CVM_CVM_3-179472-0_B.3d_igs.zip](#)

English

[Customer View Model](#)

[ENG_CVM_CVM_3-179472-0_B.3d_stp.zip](#)

English

By downloading the CAD file I accept and agree to the [Terms and Conditions](#) of use.

Product Specifications

[Application Specification](#)

English

[Application Specification](#)

English

[Crimping AMP 2.0mm Pitch CT Receptacle Contact](#)

English

Product Environmental Compliance

[MD_3-179472-0_030220172331_dmtec](#)

English

[MD_3-179472-0_030220172331_dmtec](#)

English

Agency Approvals

[CSA Certificate](#)

English

3-179472-0

PCB Connector Mounting, 30 Position, .079 in [2 mm] Centerline, 30 – 22 AWG Wire Size, Ivory, -22 – 221 °F [-30 – 105 °C], AMP CT

