

HSA25300RJ ✓ ACTIVE

CGS | CGS HS

TE Internal #: 3-1676625-0

300 Ω, Wire Wound, Power Resistor, 51 x 28 x 15 mm, 2

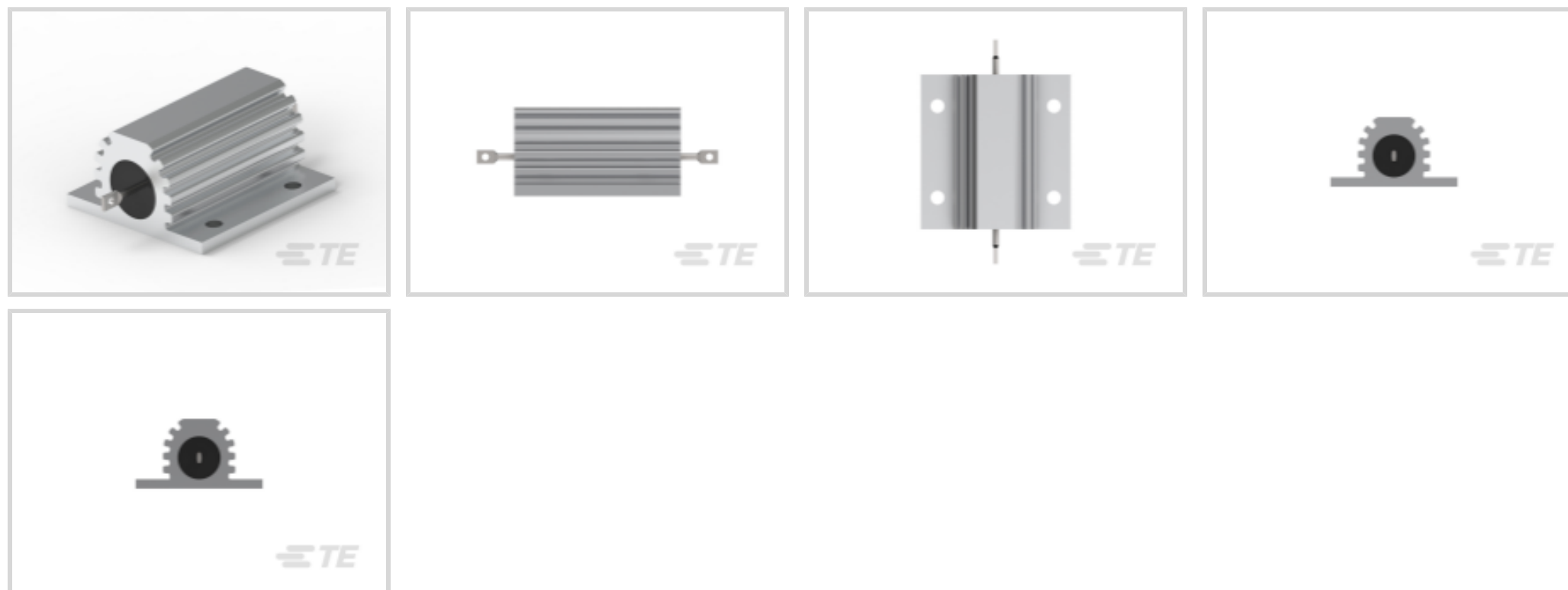
Termination, Loose Piece - Tray, 5 %, 25 W, ±30 ppm/°C, Solder

Lug Termination, CGS HS

[View on TE.com >](#)



Passive Components > Resistors > Chassis Mount Resistors > Power Resistors: Aluminum Housed, HSA



Resistor Type: **Power Resistor**

Passive Component Dimensions: **51 x 28 x 15 mm**

Number of Terminations: **2**

Packaging Method: **Loose Piece - Tray**

Passive Component Tolerance: **5 %**

[All Power Resistors: Aluminum Housed, HSA \(384\)](#)

Features

Product Type Features

Resistor Type	Power Resistor
Element Type	Wire Wound

Configuration Features

Number of Resistors	1
---------------------	---

Electrical Characteristics

Voltage Rating	550 VAC
Passive Component Tolerance	5 %
Resistance Class	Up to 1kΩ
Resistance Value	300 Ω
Power Rating	25 W

Termination Features

Number of Terminations	2
------------------------	---



Chassis Mount Resistor Termination Type	Solder Lug
---	------------

Mechanical Attachment

Chassis Mount Resistor Mount Style	Chassis Mount
------------------------------------	---------------

Dimensions

Passive Component Dimensions	51 x 28 x 15 mm
------------------------------	-----------------

Usage Conditions

Temperature Coefficient	± 30 ppm/ $^{\circ}\text{C}$
-------------------------	----------------------------------

Packaging Features

Packaging Method	Loose Piece - Tray
------------------	--------------------

Product Compliance

[For compliance documentation, visit the product page on TE.com>](#)

EU RoHS Directive 2011/65/EU	Compliant
EU ELV Directive 2000/53/EC	Compliant
China RoHS 2 Directive MIIT Order No 32, 2016	No Restricted Materials Above Threshold
EU REACH Regulation (EC) No. 1907/2006	Current ECHA Candidate List: JUNE 2023 (235) Candidate List Declared Against: JUN 2020 (209) Does not contain REACH SVHC
Halogen Content	Not Yet Reviewed for halogen content
Solder Process Capability	Hand solderable with lead free solder

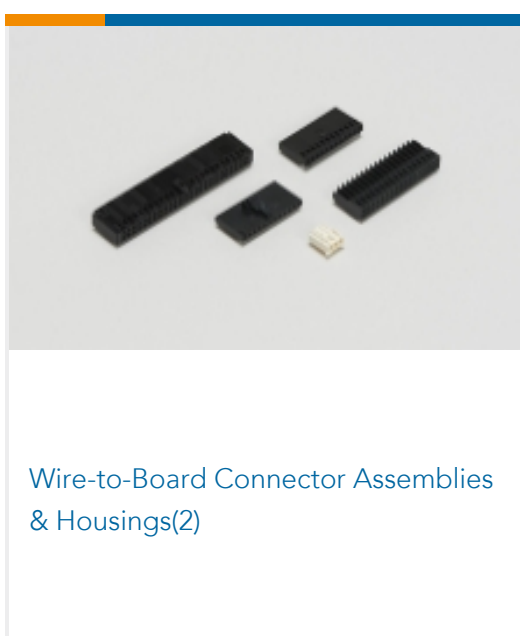
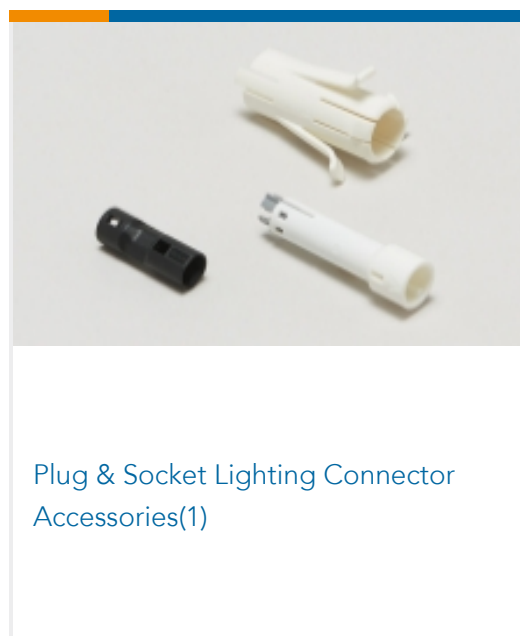
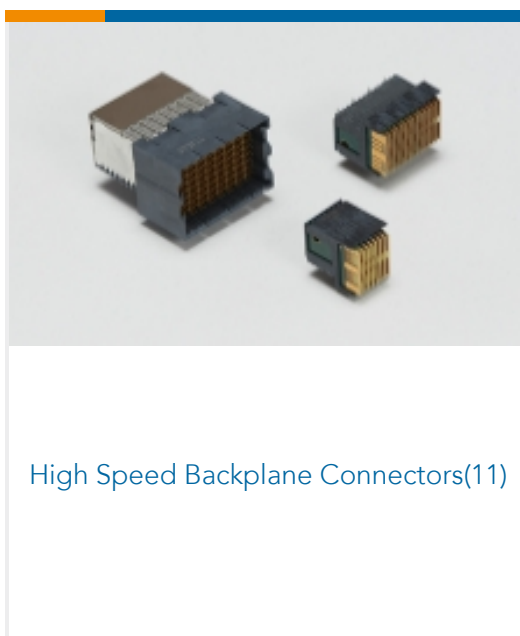
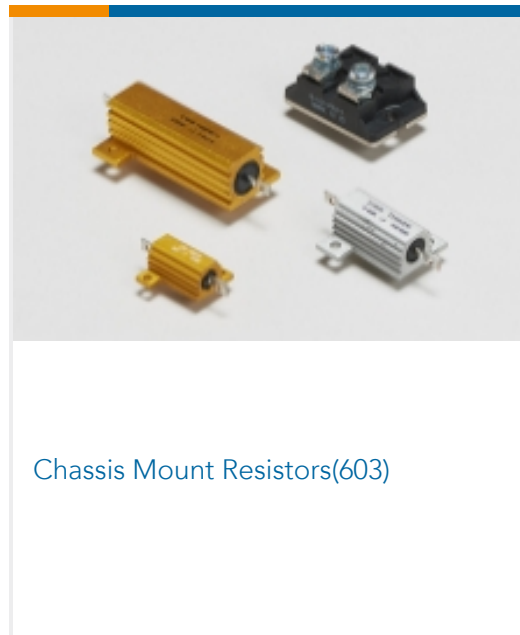
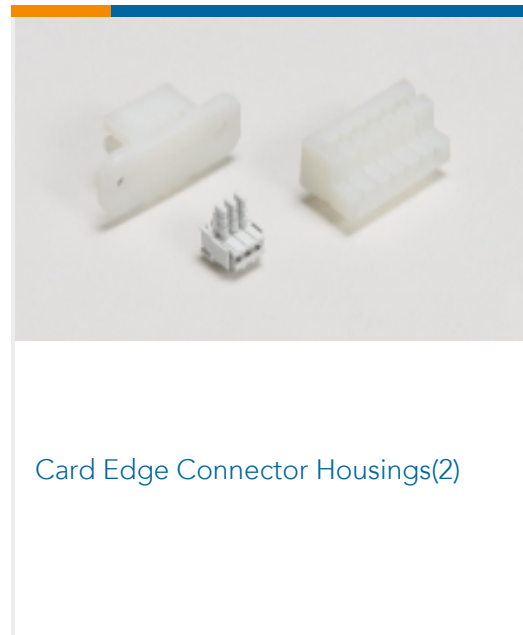
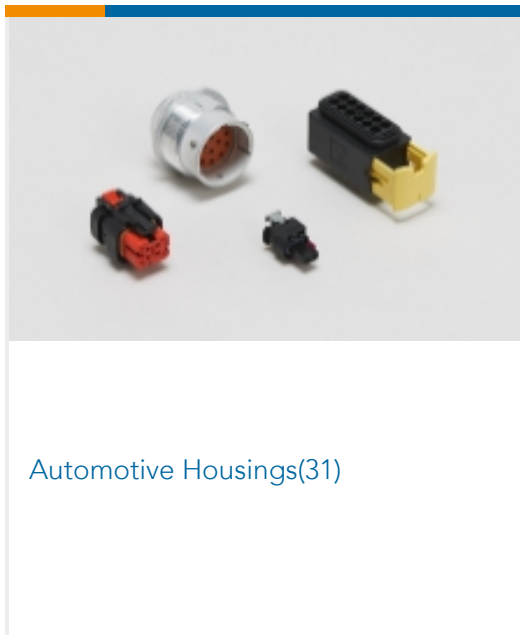
Product Compliance Disclaimer

This information is provided based on reasonable inquiry of our suppliers and represents our current actual knowledge based on the information they provided. This information is subject to change. The part numbers that TE has identified as EU RoHS compliant have a maximum concentration of 0.1% by weight in homogenous materials for lead, hexavalent chromium, mercury, PBB, PBDE, DBP, BBP, DEHP, DIBP, and 0.01% for cadmium, or qualify for an exemption to these limits as defined in the Annexes of Directive 2011/65/EU (RoHS2). Finished electrical and electronic equipment products will be CE marked as required by Directive 2011/65/EU. Components may not be CE marked. Additionally, the part numbers that TE has identified as EU ELV compliant have a maximum concentration of 0.1% by weight in homogenous materials for lead, hexavalent chromium, and mercury, and 0.01% for cadmium, or qualify for an exemption to these limits as defined in the Annexes of Directive 2000/53/EC (ELV). Regarding the REACH Regulation, the information TE provides on SVHC in articles for this part number is based on the latest European Chemicals Agency (ECHA) 'Guidance on requirements for substances in articles' posted at this URL: <https://echa.europa.eu/guidance-documents/guidance-on-reach>

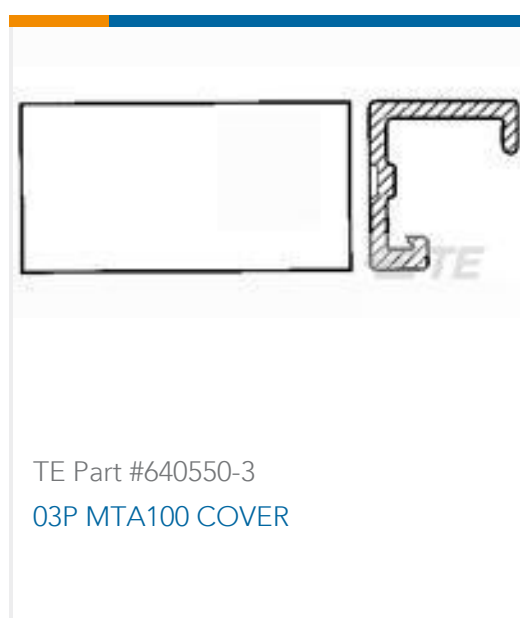
Compatible Parts

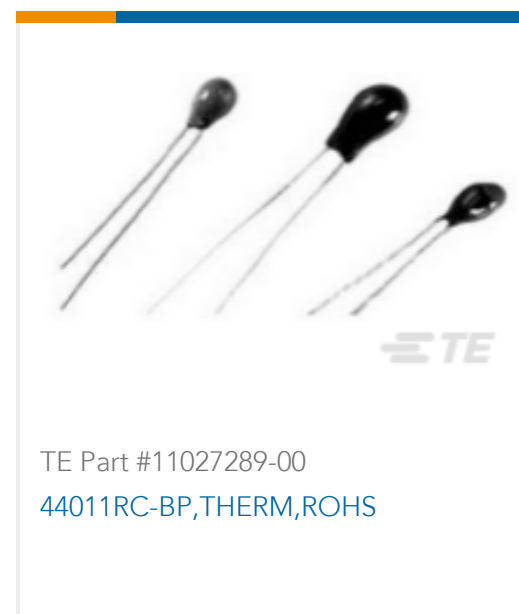
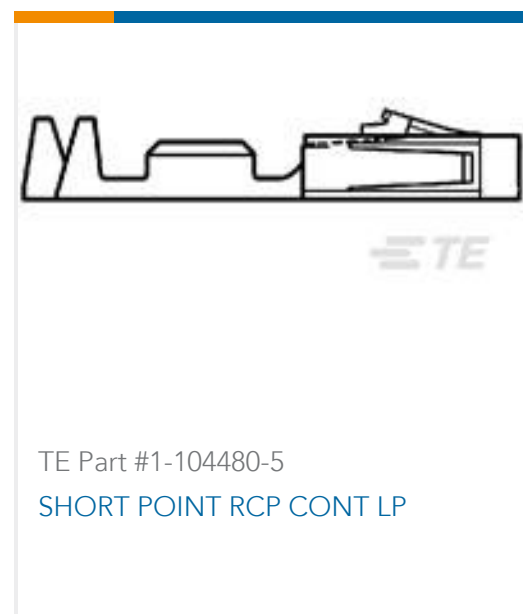


Also in the Series | CGS HS



Customers Also Bought





Documents

Product Drawings

[HSA25 300R 5%](#)

English

CAD Files

[3D PDF](#)

3D

Customer View Model

[ENG_CVM_CVM_3-1676625-0_T.2d_dxf.zip](#)

English

Customer View Model

[ENG_CVM_CVM_3-1676625-0_T.3d_igs.zip](#)

English

Customer View Model

[ENG_CVM_CVM_3-1676625-0_T.3d_stp.zip](#)

English

By downloading the CAD file I accept and agree to the [Terms and Conditions](#) of use.

Datasheets & Catalog Pages

[4-1773460-6_RESISTIVE_SOLUTIONS_RAIL](#)

English

[1309350_PASSIVE_COMPONENT](#)

English

[Aluminium Housed Power Resistors - Type HS Series](#)

English

[8-1773459-4_POWER_FILTERING_AND_RESISTIVE_SOLUTIONS_FOR_ELEVATORS_AND_ESCALATORS](#)

English

HSA25300RJ

300 Ω , Wire Wound, Power Resistor, 51 x 28 x 15 mm, 2 Termination, Loose Piece -
Tray, 5 %, 25 W, ± 30 ppm/ $^{\circ}$ C, Solder Lug Termination, CGS HS

