



CGS | CGS RL73

TE Internal #: 3-1622824-2

.13 Ω, Thick Film, Current Sensing Resistor, 1 %, 2 Termination, 2512, Taped & Reeled, 1 W, ±100 ppm/°C, Solder, 6.35 x 3.1 x .6 mm, CGS RL73

[View on TE.com >](#)

Passive Components > Resistors > Surface Mount Resistors > Thick Film Resistor: Current Sense



Resistor Type: **Current Sensing Resistor**

Number of Terminations: **2**

Package Size Code: **2512**

Packaging Method: **Taped & Reeled**

Passive Component Tolerance: **1 %**

[All Thick Film Resistor: Current Sense \(796\)](#)

## Features

### Product Type Features

Product Type	Fixed Resistor
Resistor Type	Current Sensing Resistor
Package Size Code	2512
Element Type	Thick Film

### Configuration Features

Number of Resistors	1
---------------------	---

### Electrical Characteristics

Passive Component Tolerance	1 %
Resistance Class	Up to 1kΩ
Resistance Value	.13 Ω
Power Rating	1 W

### Termination Features

Number of Terminations	2
Surface Mount Resistor Termination Type	Solder

### Dimensions

Passive Component Dimensions	6.35 x 3.1 x .6 mm
------------------------------	--------------------



### Usage Conditions

Temperature Coefficient	±100 ppm/°C
-------------------------	-------------

### Packaging Features

Packaging Method	Taped & Reeled
------------------	----------------

### Product Compliance

[For compliance documentation, visit the product page on TE.com>](#)

EU RoHS Directive 2011/65/EU	Compliant with Exemptions
EU ELV Directive 2000/53/EC	Compliant with Exemptions
China RoHS 2 Directive MIIT Order No 32, 2016	Restricted Materials Above Threshold
EU REACH Regulation (EC) No. 1907/2006	Current ECHA Candidate List: JUNE 2023 (235) Candidate List Declared Against: JUNE 2023 (235) Does not contain REACH SVHC
Halogen Content	Low Halogen - Br, Cl, F, I < 900 ppm per homogenous material. Also BFR/CFR/PVC Free
Solder Process Capability	Reflow solder capable to 260°C

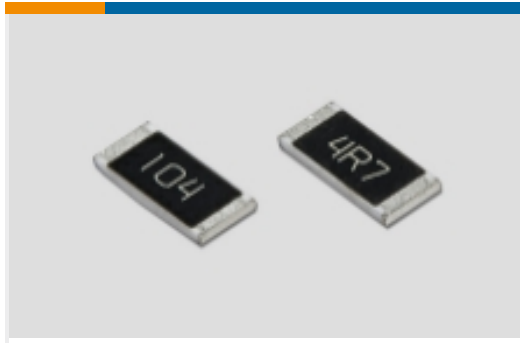
#### Product Compliance Disclaimer

This information is provided based on reasonable inquiry of our suppliers and represents our current actual knowledge based on the information they provided. This information is subject to change. The part numbers that TE has identified as EU RoHS compliant have a maximum concentration of 0.1% by weight in homogenous materials for lead, hexavalent chromium, mercury, PBB, PBDE, DBP, BBP, DEHP, DIBP, and 0.01% for cadmium, or qualify for an exemption to these limits as defined in the Annexes of Directive 2011/65/EU (RoHS2). Finished electrical and electronic equipment products will be CE marked as required by Directive 2011/65/EU. Components may not be CE marked. Additionally, the part numbers that TE has identified as EU ELV compliant have a maximum concentration of 0.1% by weight in homogenous materials for lead, hexavalent chromium, and mercury, and 0.01% for cadmium, or qualify for an exemption to these limits as defined in the Annexes of Directive 2000/53/EC (ELV). Regarding the REACH Regulation, the information TE provides on SVHC in articles for this part number is based on the latest European Chemicals Agency (ECHA) 'Guidance on requirements for substances in articles' posted at this URL: <https://echa.europa.eu/guidance-documents/guidance-on-reach>

### Compatible Parts



## Also in the Series | CGS RL73



Surface Mount Resistors(856)

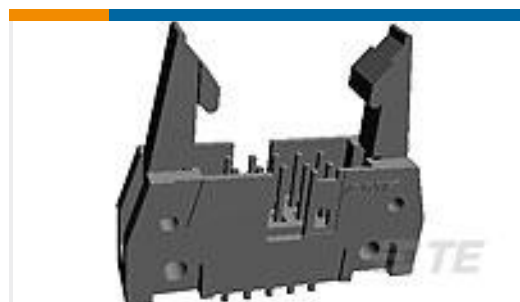
## Customers Also Bought



TE Part #2176070-3  
3521 12R 1% 2W



TE Part #292172-2  
CT POST HDR ASSY 2P IN-TUBE BL



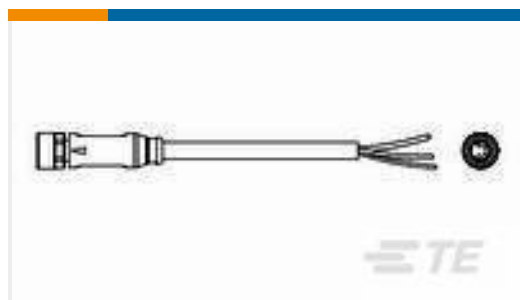
TE Part #5499910-7  
A/L UNIV HDR 30P VERT SHT LAT



TE Part #2-2176057-8  
RLP73K 3A R13 1% 1K RL



TE Part #1-2176058-8  
RLP73N 3A R051 5% 2K RL



TE Part #1-2273003-4  
M8 x 1.0 straight socket Pigtail



TE Part #T4070014041-001  
M8.MLE.PNLREAR.4POS.STR WIRE



TE Part #1-84953-4  
1MM FPC HORZ.TOP CONT.ASSY 14P



TE Part #280377-1  
2P AMPMODU II SHRD HDR, RT ANG, TIN



TE Part #1838893-2  
M12 MtI MALE PNL CONN. Sldr Rear (Hex)

## Documents

### Product Drawings

[RL73H 3A R13 1% 4K RL](#)

English

### CAD Files

[3D PDF](#)

[3D](#)



**Customer View Model**

[ENG\\_CVM\\_CVM\\_3-1622824-2\\_BA.2d\\_dxf.zip](#)

English

**Customer View Model**

[ENG\\_CVM\\_CVM\\_3-1622824-2\\_BA.3d\\_igs.zip](#)

English

**Customer View Model**

[ENG\\_CVM\\_CVM\\_3-1622824-2\\_BA.3d\\_stp.zip](#)

English

By downloading the CAD file I accept and agree to the [Terms and Conditions](#) of use.

**Datasheets & Catalog Pages**

[SMD Low Ohmic Current Sense Resistors - Type RL73 Series](#)

English

[Standard Tantalum Capacitors - Type TYTS Series - Tyco Electronics Passives](#)

English