

# FCA-325-AY4 ✓ ACTIVE

CII | CII FCA-325 Series

TE Internal #: 3-1617753-9

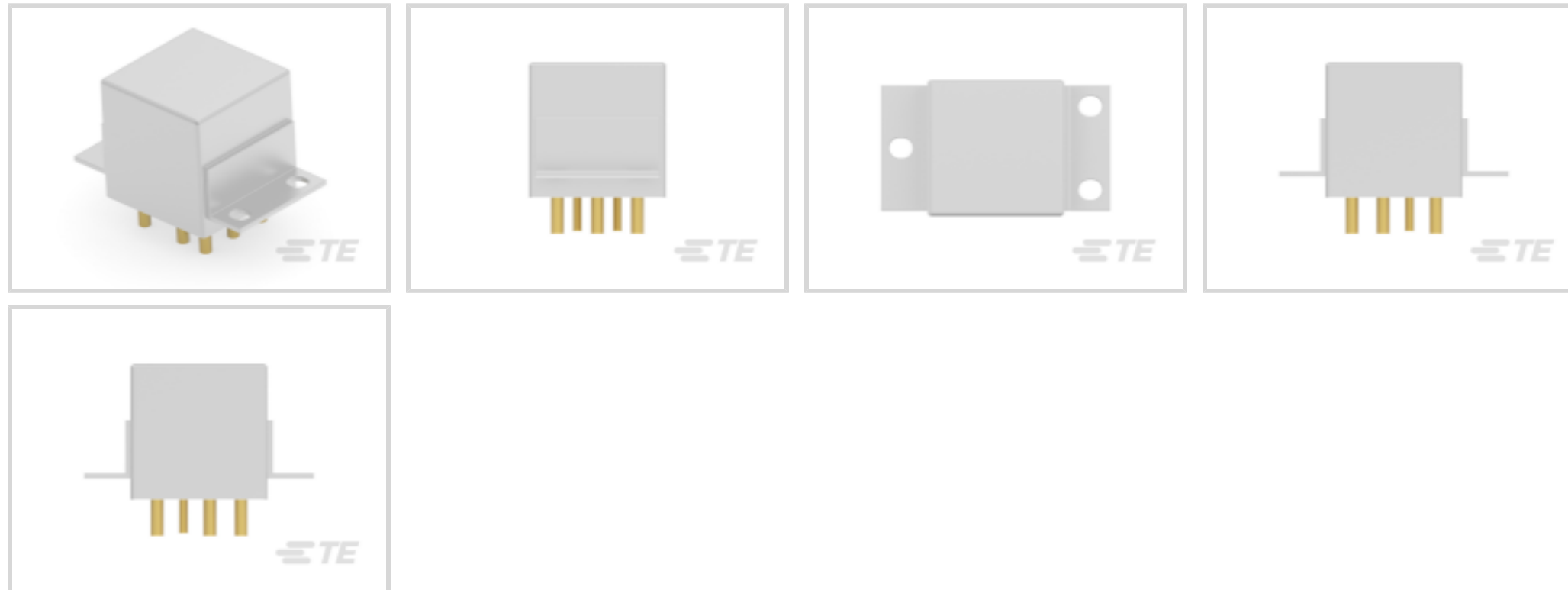
Mid-Range Relays, 3 Form C, 3PDT, 3 C/O, Coil Suppression

Diode, Gold Terminal Plating, 25 A, 28 VDC Coil Voltage, CII FCA-325 Series

[View on TE.com >](#)



Relays, Contactors & Switches > Relays > Mil-Aero Relays > Mid-Range Relays



Mid-Range Relay Contact Arrangement: **3 Form C, 3PDT, 3 C/O**

Coil Suppression Diode: **With**

Auxiliary Contacts: **Without**

Terminal Plating: **Gold**

Mid-Range Relay Contact Current Rating: **25 A**

## Features

### Product Type Features

Enclosure Type	Hermetically Sealed
Terminal Configuration	Socket Pins
Product Type	Relay
Relay Type	Military/Aerospace Mid-Range

### Electrical Characteristics

Vibration	30G's, 33 – 3000Hz
Shock	200G's, 6ms
Coil Suppression Diode	With
Mid-Range Relay Coil Voltage Rating	28 VDC
Mid-Range Relay Coil Resistance	290 $\Omega$
Back EMF Suppression	With
Coil Magnetic System	Polarized, Monostable
Actuating System	DC

### Contact Features



Mid-Range Relay Contact Arrangement	3 Form C, 3PDT, 3 C/O
Auxiliary Contacts	Without
Terminal Plating	Gold
Mid-Range Relay Contact Current Rating	25 A
Contact Base Material	Silver Cadmium Oxide

### Mechanical Attachment

Mid-Range Relay Mounting Type	Raised Vertical Flange Mount
-------------------------------	------------------------------

### Usage Conditions

Operating Temperature Range	-70 – 125 °C
-----------------------------	--------------

## Product Compliance

[For compliance documentation, visit the product page on TE.com>](#)

EU RoHS Directive 2011/65/EU	Not Compliant
EU ELV Directive 2000/53/EC	Not Compliant
China RoHS 2 Directive MIIT Order No 32, 2016	Restricted Materials Above Threshold
EU REACH Regulation (EC) No. 1907/2006	Current ECHA Candidate List: JUNE 2023 (235) Candidate List Declared Against: JAN 2022 (223) Does not contain REACH SVHC
Halogen Content	Low Halogen - Br, Cl, F, I < 900 ppm per homogenous material. Also BFR/CFR/PVC Free
Solder Process Capability	Not applicable for solder process capability

#### Product Compliance Disclaimer

This information is provided based on reasonable inquiry of our suppliers and represents our current actual knowledge based on the information they provided. This information is subject to change. The part numbers that TE has identified as EU RoHS compliant have a maximum concentration of 0.1% by weight in homogenous materials for lead, hexavalent chromium, mercury, PBB, PBDE, DBP, BBP, DEHP, DIBP, and 0.01% for cadmium, or qualify for an exemption to these limits as defined in the Annexes of Directive 2011/65/EU (RoHS2). Finished electrical and electronic equipment products will be CE marked as required by Directive 2011/65/EU. Components may not be CE marked. Additionally, the part numbers that TE has identified as EU ELV compliant have a maximum concentration of 0.1% by weight in homogenous materials for lead, hexavalent chromium, and mercury, and 0.01% for cadmium, or qualify for an exemption to these limits as defined in the Annexes of Directive 2000/53/EC (ELV). Regarding the REACH Regulation, the information TE provides on SVHC in articles for this part number is based on the latest European Chemicals Agency (ECHA) 'Guidance on requirements for substances in articles' posted at this URL: <https://echa.europa.eu/guidance-documents/guidance-on-reach>

## Compatible Parts



Also in the Series | **CII FCA-325 Series**



Customers Also Bought



TE Part #D369-P99-NS1  
369 9 WAY PLUG, CRIMP, SKT



TE Part #YDTS20W17-99SNV001  
RECP ASSY



TE Part #YDTS26F09-35SBV001  
PLUG ASSY



TE Part #CB1051-000  
D-500-0463-J24-R120



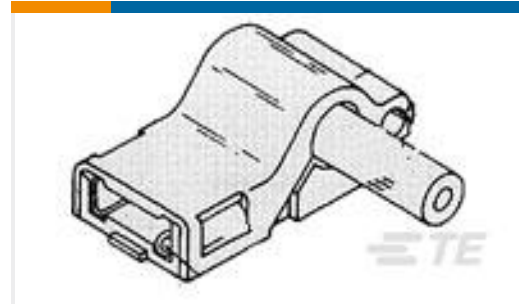
TE Part #226335-000  
CTA-0166



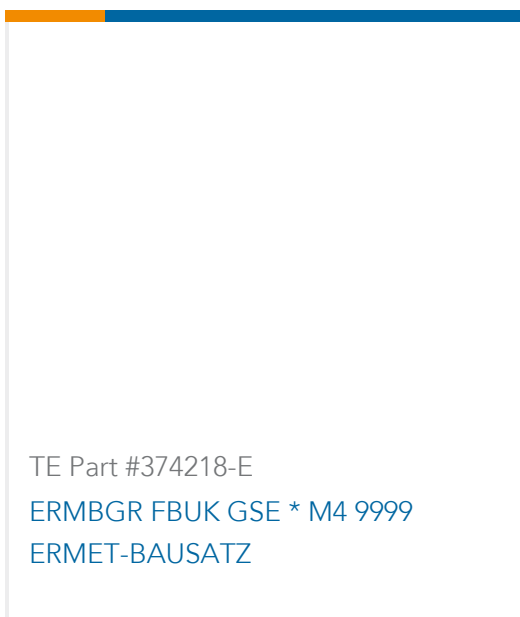
TE Part #ZPF0000000000003598  
724-0003-20



TE Part #60419-2  
250 FASTON FLAG REC 18-14 AWG  
TPBR



TE Part #1-480306-1  
250 FASTON INSULATION POD., REC.,  
NATRUAL



TE Part #374218-E  
ERMBGR FBUK GSE \* M4 9999  
ERMET-BAUSATZ

## Documents

### Product Drawings

[FCA-325-AY4](#)

English

### CAD Files

[3D PDF](#)

3D

Customer View Model

[ENG\\_CVM\\_CVM\\_3-1617753-9\\_B.2d\\_dxf.zip](#)

English

Customer View Model

[ENG\\_CVM\\_CVM\\_3-1617753-9\\_B.3d\\_igs.zip](#)

English

Customer View Model

[ENG\\_CVM\\_CVM\\_3-1617753-9\\_B.3d\\_stp.zip](#)

English

By downloading the CAD file I accept and agree to the [Terms and Conditions](#) of use.

### Datasheets & Catalog Pages



[5-1773450-5\\_sec5\\_FCA-325](#)

English