



CII

TE Internal #: 3-1617108-2

TO-5/.100 Grid Relays, 2 Form C, DPDT, 2 C/O, 26.5 VDC Input, 1 A, 26.5 VDC Coil Voltage, 1560 Ω Coil Resistance, 450 mW Coil Power (DC), 28

[View on TE.com >](#)

Relays, Contactors & Switches > Relays > Mil-Aero Relays > TO-5/.100 Grid Relays



TO-5/.100 Grid Relay Contact Arrangement: **2 Form C, DPDT, 2 C/O**

TO-5/.100 Grid Relay Input Voltage: **26.5 VDC**

Coil Suppression Diode: **Without**

MOSFET Driver: **Without**

Transistor Driver: **Without**

Features

Product Type Features

| | |
|----------------|-------------------------------------|
| Enclosure Type | Hermetically Sealed |
| Relay Type | Military/Aerospace High Performance |
| Coil Latching | Without |
| Product Type | Relay |
| MOSFET Driver | Without |

Configuration Features

| | |
|-------------------|---------|
| Transistor Driver | Without |
|-------------------|---------|

Electrical Characteristics

| | |
|--------------------------------------|---------------------------|
| Coil Magnetic System | Non-Polarized, Monostable |
| Vibration | 30G's, 10 – 3000Hz |
| Actuating System | DC |
| Shock | 75G's, 6ms |
| Coil Power Measurement | Milliwatts |
| TO-5/.100 Grid Relay Input Voltage | 26.5 VDC |
| Coil Suppression Diode | Without |
| Coil Voltage | 26.5 VDC |
| TO-5/.100 Grid Relay Coil Resistance | 1560 Ω |



| | |
|---|--------|
| TO-5/.100 Grid Relay Coil Power Rating (DC) | 450 mW |
|---|--------|

| | |
|--------------------------------|---------|
| Coil Polarity Protection Diode | Without |
|--------------------------------|---------|

| | |
|--|----|
| TO-5/.100 Grid Relay Contact Switching Voltage (Max) | 28 |
|--|----|

Contact Features

| | |
|-----------------------|-----------------|
| Contact Current Class | Low Level – 1 A |
|-----------------------|-----------------|

| | |
|--|-----------------------|
| TO-5/.100 Grid Relay Contact Arrangement | 2 Form C, DPDT, 2 C/O |
|--|-----------------------|

| | |
|---|-----|
| TO-5/.100 Grid Relay Contact Current Rating | 1 A |
|---|-----|

Termination Features

| | |
|------------------|---------|
| Termination Type | PC Pins |
|------------------|---------|

Mechanical Attachment

| | |
|------------------------------------|-----------------------|
| TO-5/.100 Grid Relay Mounting Type | Printed Circuit Board |
|------------------------------------|-----------------------|

Usage Conditions

| | |
|-----------------------------|--------------|
| Operating Temperature Range | -65 – 125 °C |
|-----------------------------|--------------|

Other

| | |
|---------|-----------------|
| Comment | X Level Testing |
|---------|-----------------|

Product Compliance

[For compliance documentation, visit the product page on TE.com>](#)

| | |
|------------------------------|-----------|
| EU RoHS Directive 2011/65/EU | Compliant |
|------------------------------|-----------|

| | |
|-----------------------------|---------------|
| EU ELV Directive 2000/53/EC | Not Compliant |
|-----------------------------|---------------|

| | |
|---|---|
| China RoHS 2 Directive MIIT Order No 32, 2016 | No Restricted Materials Above Threshold |
|---|---|

| | |
|--|---|
| EU REACH Regulation (EC) No. 1907/2006 | Current ECHA Candidate List: JUNE 2023 (235) Candidate List Declared Against: JUNE 2022 (224) Does not contain REACH SVHC |
|--|---|

| | |
|-----------------|---|
| Halogen Content | Low Halogen - Br, Cl, F, I < 900 ppm per homogenous material. Also BFR/CFR/PVC Free |
|-----------------|---|

| | |
|---------------------------|-------------------------------|
| Solder Process Capability | Not lead free process capable |
|---------------------------|-------------------------------|

Product Compliance Disclaimer

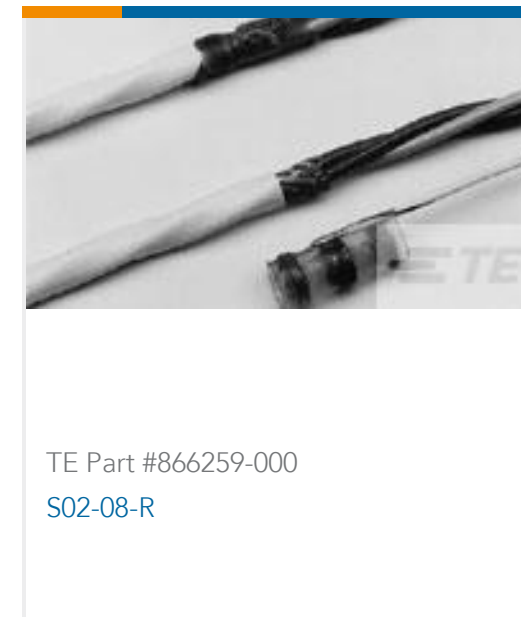
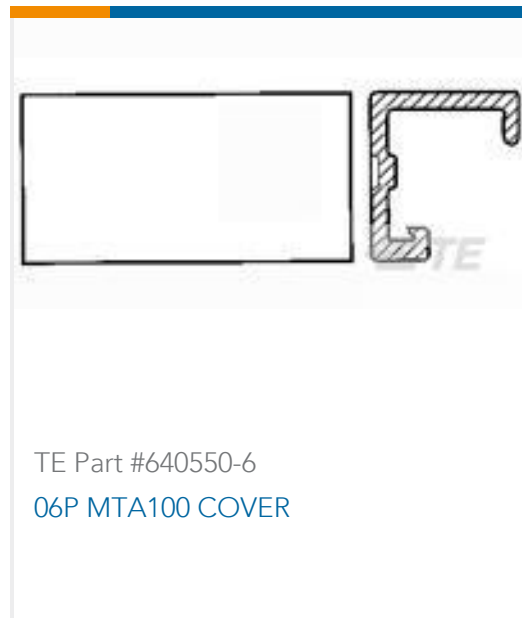
This information is provided based on reasonable inquiry of our suppliers and represents our current actual knowledge based on the information they provided. This information is subject to change. The part numbers that TE has identified as EU RoHS compliant have a maximum concentration of 0.1% by weight in homogenous materials for lead, hexavalent chromium, mercury, PBB, PBDE, DBP, BBP, DEHP, DIBP, and 0.01% for cadmium, or qualify for an exemption to these limits as defined in the Annexes of Directive 2011/65/EU (RoHS2). Finished electrical and electronic equipment products will be CE marked as required by Directive 2011/65/EU. Components may not be CE marked. Additionally, the part

numbers that TE has identified as EU ELV compliant have a maximum concentration of 0.1% by weight in homogenous materials for lead, hexavalent chromium, and mercury, and 0.01% for cadmium, or qualify for an exemption to these limits as defined in the Annexes of Directive 2000/53/EC (ELV). Regarding the REACH Regulation, the information TE provides on SVHC in articles for this part number is based on the latest European Chemicals Agency (ECHA) 'Guidance on requirements for substances in articles' posted at this URL: <https://echa.europa.eu/guidance-documents/guidance-on-reach>

Compatible Parts



Customers Also Bought



Documents

CAD Files



[3D PDF](#)

3D

Customer View Model

[ENG_CVM_CVM_3-1617108-2_O.2d_dxf.zip](#)

English

Customer View Model

[ENG_CVM_CVM_3-1617108-2_O.3d_igs.zip](#)

English

Customer View Model

[ENG_CVM_CVM_3-1617108-2_O.3d_stp.zip](#)

English

By downloading the CAD file I accept and agree to the [Terms and Conditions](#) of use.

Datasheets & Catalog Pages

[RELAY](#)

English