

150KEMS10ABSD ✓ ACTIVE

Corcom KEM

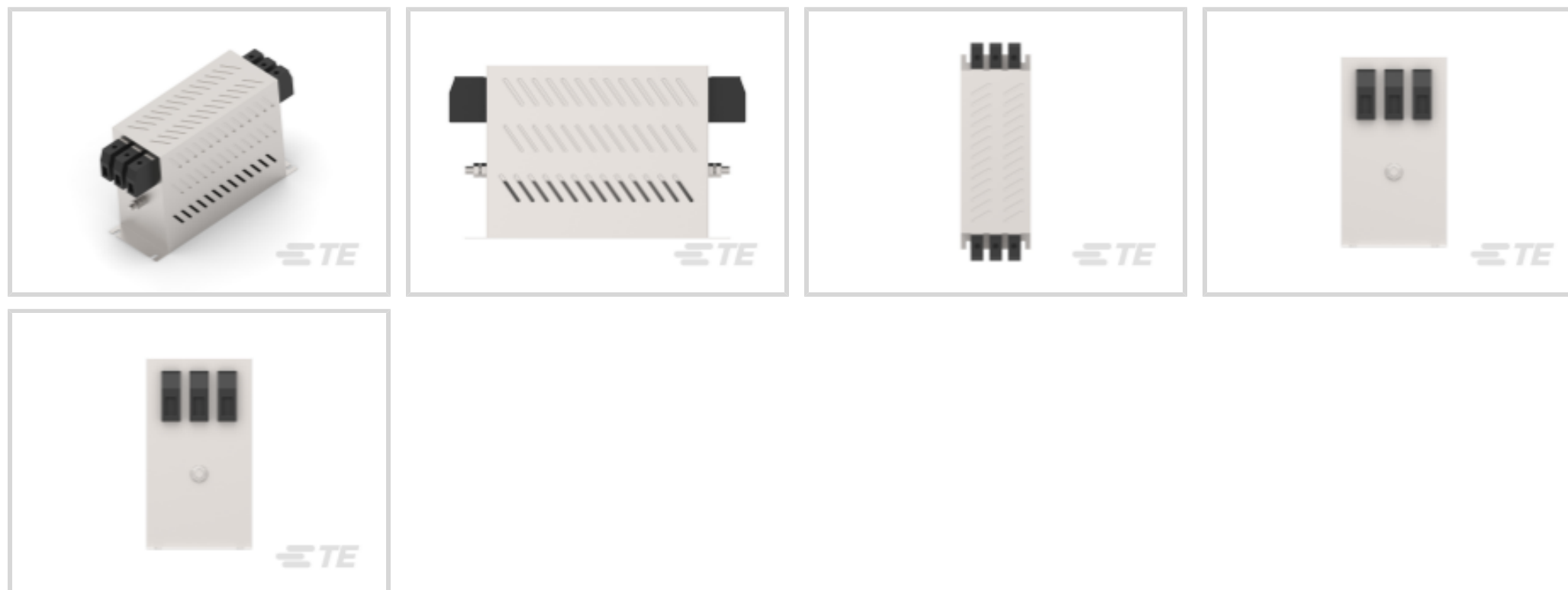
TE Internal #: 3-1609967-7

3-Phase Filters, 150A Current Rating, Terminal Block Input, Terminal Block Output, DELTA (3 wire + ground), Operating Voltage 440 VAC, Corcom KEM

[View on TE.com >](#)



EMI & EMC Solutions > EMI Filters > Power Line Filters > 3-Phase Filters



Current Rating: **150 A**

Input Termination Type: **Terminal Block**

Output Termination Type: **Terminal Block**

Wiring Configuration: **DELTA (3 wire + ground)**

Operating Voltage: **440 VAC**

Features

Product Type Features

Filtering Requirements	Filtered
Input Termination Type	Terminal Block
Output Termination Type	Terminal Block

Configuration Features

Wiring Configuration	DELTA (3 wire + ground)
----------------------	-------------------------

Electrical Characteristics

Leakage Current (Max) (230VAC, 50Hz)	10
Current Rating	150 A
Operating Voltage	440 VAC

Mechanical Attachment

Product Mount Type	Chassis
--------------------	---------

Usage Conditions

Operating Temperature Range	-25 – 85 °C
-----------------------------	-------------



Product Compliance

[For compliance documentation, visit the product page on TE.com>](#)

EU RoHS Directive 2011/65/EU	Compliant with Exemptions
EU ELV Directive 2000/53/EC	Not Compliant
China RoHS 2 Directive MIIT Order No 32, 2016	Restricted Materials Above Threshold
EU REACH Regulation (EC) No. 1907/2006	<p>Current ECHA Candidate List: JUNE 2023 (235)</p> <p>Candidate List Declared Against: JUNE 2023 (235)</p> <p>SVHC > Threshold:</p> <p>Pb (3% in Component Part)</p> <p>Article Safe Usage Statements: Do not eat, drink or smoke when using this product. Wash thoroughly after handling. Recycle if possible and dispose of the article by following all applicable governmental regulations relevant to your geographic location.</p>
Halogen Content	Low Halogen - Br, Cl, F, I < 900 ppm per homogenous material. Also BFR/CFR/PVC Free
Solder Process Capability	Not reviewed for solder process capability

Product Compliance Disclaimer

This information is provided based on reasonable inquiry of our suppliers and represents our current actual knowledge based on the information they provided. This information is subject to change. The part numbers that TE has identified as EU RoHS compliant have a maximum concentration of 0.1% by weight in homogenous materials for lead, hexavalent chromium, mercury, PBB, PBDE, DBP, BBP, DEHP, DIBP, and 0.01% for cadmium, or qualify for an exemption to these limits as defined in the Annexes of Directive 2011/65/EU (RoHS2). Finished electrical and electronic equipment products will be CE marked as required by Directive 2011/65/EU. Components may not be CE marked. Additionally, the part numbers that TE has identified as EU ELV compliant have a maximum concentration of 0.1% by weight in homogenous materials for lead, hexavalent chromium, and mercury, and 0.01% for cadmium, or qualify for an exemption to these limits as defined in the Annexes of Directive 2000/53/EC (ELV). Regarding the REACH Regulation, the information TE provides on SVHC in articles for this part number is based on the latest European Chemicals Agency (ECHA) 'Guidance on requirements for substances in articles' posted at this URL: <https://echa.europa.eu/guidance-documents/guidance-on-reach>

Compatible Parts



Also in the Series | [Corcom KEM](#)



3-Phase Filters(48)

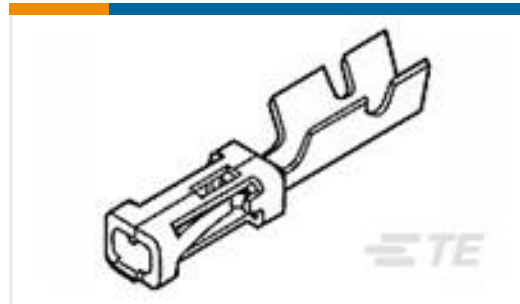
Customers Also Bought



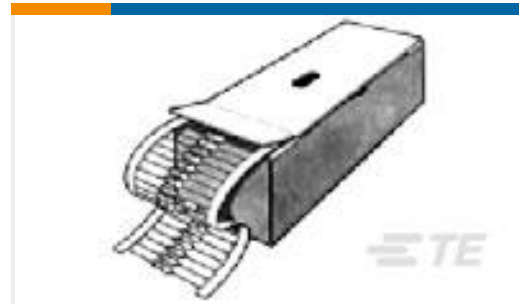
TE Part #SG1-80-3
STRING POT, 80 INCH RANGE



TE Part #2-480702-0
04P UMNL PLUG HSG NATL



TE Part #87756-6
MOD IV RECP PLTD SN



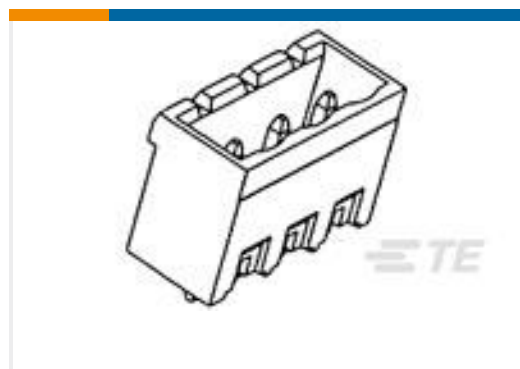
TE Part #2176082-9
EP 3W (S) 220R 5%



TE Part #6-1609967-7
KEM 150A 1S HIGH PER SP BS DELTA
520VAC



TE Part #1-2176415-4
8W STD M/OX 5% 100R



TE Part #796636-2
2POS 5.08MM CE VRT HDR,TRM BLK



TE Part #1-1393774-0
V23026A1003B201

Documents

Product Drawings

[KEM 150A 1S HIGH PER SP BS DELTA 440VAC](#)

English

CAD Files

Customer View Model

[ENG_CVM_CVM_3-1609967-7_B.3d_igs.zip](#)

English

Customer View Model

[ENG_CVM_CVM_3-1609967-7_B.3d_stp.zip](#)

English

Customer View Model

[ENG_CVM_CVM_3-1609967-7_B.2d_dxf.zip](#)

English

3D PDF

3D

By downloading the CAD file I accept and agree to the [Terms and Conditions](#) of use.



[Datasheets & Catalog Pages](#)

[KEM-BS SERIES](#)

English