



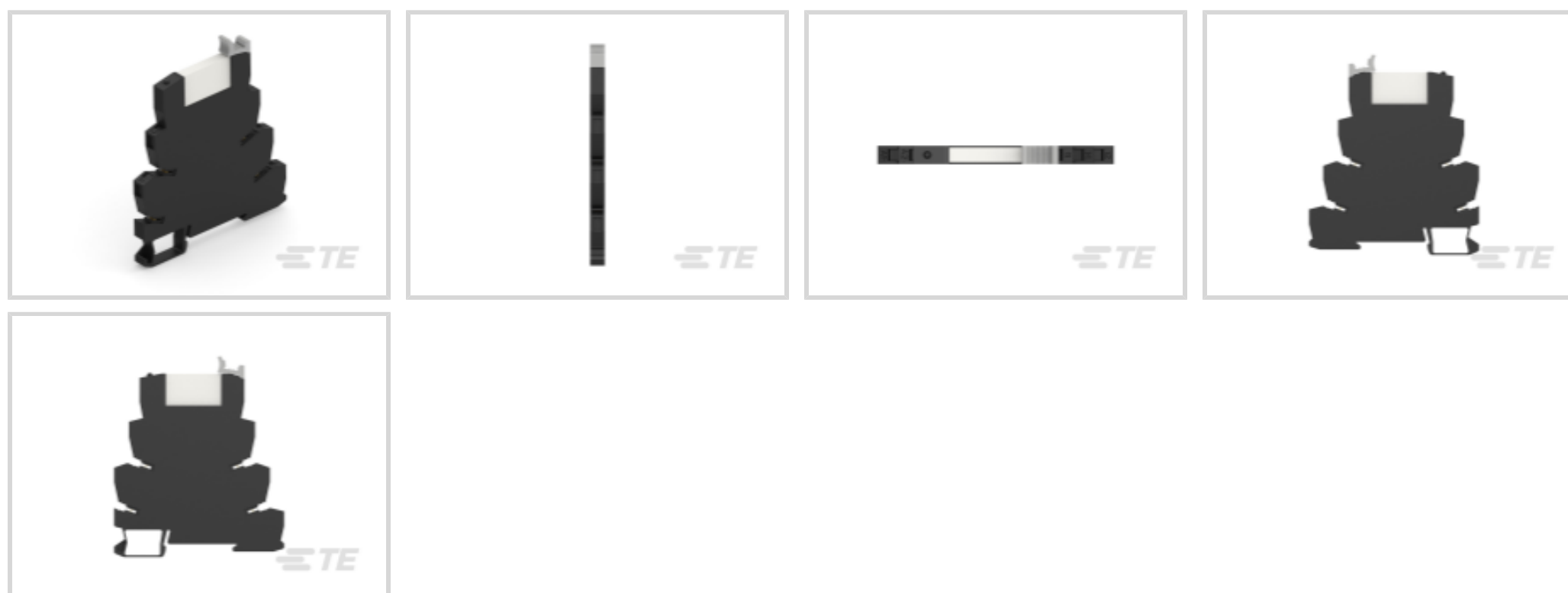
SCHRACK | SCHRACK Relay Package SNR

TE Internal #: 3-1416100-3

Power Relays, Industrial Panel Plug-In, Monostable, AC, Electrical Indicator, 115 VAC Coil Voltage, 1 Form C (CO), SCHRACK Relay Package SNR

[View on TE.com >](#)

Relays, Contactors & Switches > Relays > Power Relays



Power Relay Type: **Industrial Panel Plug-In**

Coil Magnetic System: **Monostable, AC**

Coil Power Rating Class: **[.5 – 1 VA]**

Coil Special Features: **Electrical Indicator**

Coil Voltage Rating: **115 VAC**

**Features**

**Product Type Features**

Power Relay Type	Industrial Panel Plug-In
------------------	--------------------------

**Electrical Characteristics**

Insulation Initial Dielectric Between Coil & Contact Class	4000 V
Insulation Initial Dielectric Between Contacts & Coil	4000 Vrms
Actuating System	AC
Insulation Initial Dielectric Between Open Contacts	1000 Vrms
Contact Limiting Making Current	10 A
Contact Limiting Short-Time Current	6 A
Contact Limiting Continuous Current	6 A
Insulation Creepage Class	5.5 – 8 mm
Insulation Initial Dielectric Between Adjacent Contacts	1000 Vrms
Insulation Creepage Between Contact & Coil	8 mm [.315 in]
Contact Limiting Breaking Current	6 A
Coil Magnetic System	Monostable, AC



	.5 – 1 VA
Coil Special Features	Electrical Indicator
Coil Voltage Rating	115 VAC
Contact Switching Load (Min)	100mA @ 12V
Contact Switching Voltage (Max)	400 VAC
Contact Voltage Rating	240 VAC

### Body Features

Product Weight	32 g[1.129 oz]
----------------	----------------

### Contact Features

Contact Arrangement	1 Form C (CO)
Contact Current Class	5 – 10 A, 16 A
Contact Current Rating (Max)	6 A
Contact Material	AgSnO
Contact Number of Poles	1
Relay Terminal Type	Screw Terminals

### Mechanical Attachment

Relay Mounting Type	DIN Rail
---------------------	----------

### Dimensions

Insulation Clearance Class	5 – 8 mm
Insulation Clearance Between Contact & Coil	6 mm[.236 in]
Width Class (Mechanical)	6 – 8 mm
Product Width	6.2 mm[.244 in]
Product Length	80 mm[3.15 in]
Product Height	94 mm[3.701 in]

### Usage Conditions

Environmental Ambient Temperature Class	50 – 70 °C
Environmental Ambient Temperature (Max)	55 °C[131 °F]
Operating Temperature Range	-40 – 55 °C

### Packaging Features

Packaging Method	Box & Carton
------------------	--------------

### Product Compliance

[For compliance documentation, visit the product page on TE.com>](#)



EU RoHS Directive 2011/65/EU	Compliant with Exemptions
EU ELV Directive 2000/53/EC	Compliant
China RoHS 2 Directive MIIT Order No 32, 2016	Restricted Materials Above Threshold
EU REACH Regulation (EC) No. 1907/2006	<p>Current ECHA Candidate List: JUNE 2023 (235)</p> <p>Candidate List Declared Against: JAN 2022 (223)</p> <p>SVHC &gt; Threshold:</p> <p>Pb (4% in Component)</p> <p>Pb (85% in Component Solder)</p> <p><b>Article Safe Usage Statements:</b> Do not eat, drink or smoke when using this product. Wash thoroughly after handling. Recycle if possible and dispose of the article by following all applicable governmental regulations relevant to your geographic location.</p>
Halogen Content	Low Halogen - Br, Cl, F, I < 900 ppm per homogenous material. Also BFR/CFR/PVC Free
Solder Process Capability	Not applicable for solder process capability

Product Compliance Disclaimer

This information is provided based on reasonable inquiry of our suppliers and represents our current actual knowledge based on the information they provided. This information is subject to change. The part numbers that TE has identified as EU RoHS compliant have a maximum concentration of 0.1% by weight in homogenous materials for lead, hexavalent chromium, mercury, PBB, PBDE, DBP, BBP, DEHP, DIBP, and 0.01% for cadmium, or qualify for an exemption to these limits as defined in the Annexes of Directive 2011/65/EU (RoHS2). Finished electrical and electronic equipment products will be CE marked as required by Directive 2011/65/EU. Components may not be CE marked. Additionally, the part numbers that TE has identified as EU ELV compliant have a maximum concentration of 0.1% by weight in homogenous materials for lead, hexavalent chromium, and mercury, and 0.01% for cadmium, or qualify for an exemption to these limits as defined in the Annexes of Directive 2000/53/EC (ELV). Regarding the REACH Regulation, the information TE provides on SVHC in articles for this part number is based on the latest European Chemicals Agency (ECHA) 'Guidance on requirements for substances in articles' posted at this URL: <https://echa.europa.eu/guidance-documents/guidance-on-reach>

### Compatible Parts

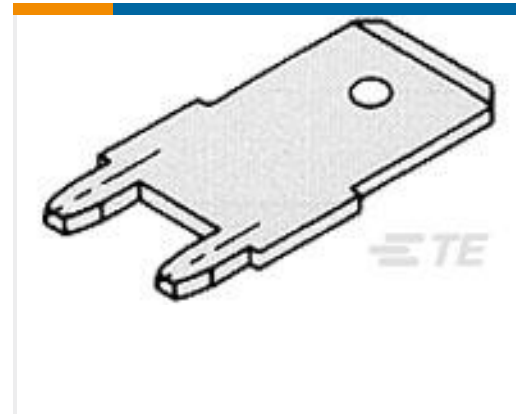
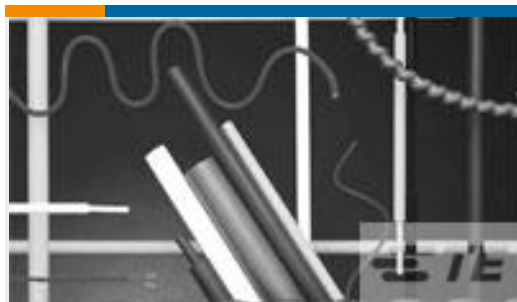


Also in the Series | **SCHRACK Relay Package SNR**



Power Relays(5)

## Customers Also Bought

TE Part #5796055-1  
68 CHAMP R/A ASSY,LCTE Part #1-1393243-7  
RTE24615TE Part #62409-1  
250 FASTON TAB TPBRTE Part #450813-000  
CRSM-107/29-500/239(S5)TE Part #5069784002  
CGPT-51/26-X-SPTE Part #926868-3  
UNIV-MNL PIN 1TE Part #8-1879226-4  
CPF 1206 97K6 0.1% 25PPM 1K RLTE Part #868988-000  
AFSJ-1C-MOD-KIT-SWATE Part #1SNA116795R1100  
SCFCV1-2TE Part #ZPF000000000107275  
DTS-F-R 20-13

## Documents

### CAD Files

[3D PDF](#)

[3D](#)

### Customer View Model

[ENG\\_CVM\\_CVM\\_3-1416100-3\\_A1.2d\\_dxf.zip](#)

English

### Customer View Model

[ENG\\_CVM\\_CVM\\_3-1416100-3\\_A1.3d\\_igs.zip](#)



English

### Customer View Model

[ENG\\_CVM\\_CVM\\_3-1416100-3\\_A1.3d\\_stp.zip](#)

English

By downloading the CAD file I accept and agree to the [Terms and Conditions](#) of use.

---

### Datasheets & Catalog Pages

[RELAY PACKAGE SNR](#)

English

---

### Product Specifications

[Definitions General Purpose Relays](#)

English