

3-1415073-1 ✓ ACTIVE

SCHRACK | SCHRACK Relay Package XT

TE Internal #: 3-1415073-1

Power Relays, Industrial Panel Plug-In, Monostable, AC, .74 VA Coil

Power Rating AC, 32500 Ω Coil Resistance, SCHRACK Relay

Package XT

[View on TE.com >](#)



Relays, Contactors & Switches > Relays > Power Relays



Power Relay Type: **Industrial Panel Plug-In**

Coil Magnetic System: **Monostable, AC**

Coil Power Rating Class: **[.5 – 1 VA]**

Coil Power Rating AC: **.74 VA**

Coil Resistance: **32500 Ω**

Features

Product Type Features

Power Relay Type	Industrial Panel Plug-In
------------------	--------------------------

Electrical Characteristics

Insulation Initial Dielectric Between Coil & Contact Class	4000 – 5000 V
--	---------------

Insulation Initial Dielectric Between Contacts & Coil	5000 Vrms
---	-----------

Actuating System	AC
------------------	----

Insulation Initial Dielectric Between Open Contacts	1000 Vrms
---	-----------

Contact Limiting Making Current	15 A
---------------------------------	------

Contact Limiting Short-Time Current	8 A
-------------------------------------	-----

Contact Limiting Continuous Current	8 A
-------------------------------------	-----

Insulation Creepage Class	8 mm
---------------------------	------

Insulation Initial Dielectric Between Adjacent Contacts	2500 Vrms
---	-----------

Insulation Creepage Between Contact & Coil	10 mm[.394 in]
--	----------------

Contact Limiting Breaking Current	8 A
-----------------------------------	-----

Coil Magnetic System	Monostable, AC
----------------------	----------------

	.5 – 1 VA
--	-----------

Coil Power Rating AC	.74 VA
----------------------	--------

Coil Resistance	32500 Ω
-----------------	----------------

Coil Special Features	Electrical Indicator, LED
-----------------------	---------------------------



Coil Voltage Rating	230 VAC
Contact Switching Voltage (Max)	400 VAC
Contact Voltage Rating	240 VAC

Body Features

Insulation Special Features	Tracking Index of Relay Base PTI250
Product Weight	54 g[1.905 oz]

Contact Features

Contact Plating Material	Gold
Contact Arrangement	2 Form C (CO)
Contact Current Class	5 – 10 A, 16 A
Contact Current Rating (Max)	8 A
Contact Material	AgNi90/10
Contact Number of Poles	2
Relay Terminal Type	Screw Terminals

Mechanical Attachment

Relay Mounting Type	DIN Rail
---------------------	----------

Dimensions

Insulation Clearance Class	8 mm
Insulation Clearance Between Contact & Coil	10 mm[.394 in]
Width Class (Mechanical)	12 – 16 mm
Product Width	15.8 mm[.622 in]
Product Length	77 mm[3.031 in]
Product Height	69 mm[2.716 in]

Usage Conditions

Environmental Ambient Temperature Class	50 – 70 °C
Environmental Ambient Temperature (Max)	70 °C[158 °F]
Operating Temperature Range	-20 – 70 °C

Packaging Features

Packaging Method	Carton
------------------	--------

Product Compliance

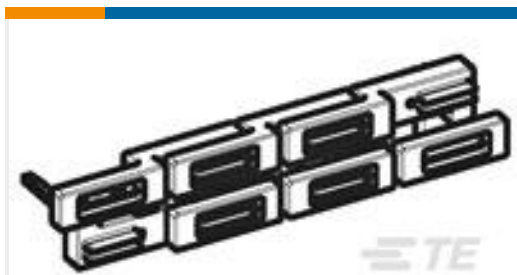
For compliance documentation, visit the product page on [TE.com](https://www.te.com)>

EU RoHS Directive 2011/65/EU	Compliant
EU ELV Directive 2000/53/EC	Compliant
China RoHS 2 Directive MIIT Order No 32, 2016	No Restricted Materials Above Threshold
EU REACH Regulation (EC) No. 1907/2006	Current ECHA Candidate List: JUNE 2023 (235) Candidate List Declared Against: JUNE 2022 (224) Does not contain REACH SVHC
Halogen Content	Not Low Halogen - contains Br or Cl > 900 ppm.
Solder Process Capability	Not applicable for solder process capability

Product Compliance Disclaimer

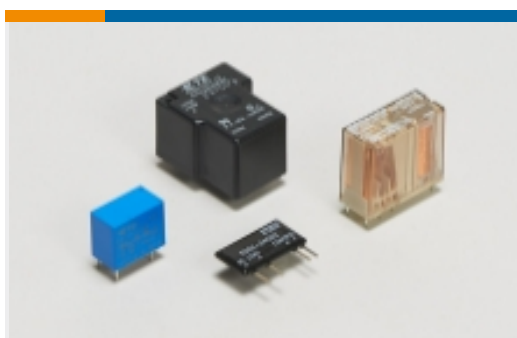
This information is provided based on reasonable inquiry of our suppliers and represents our current actual knowledge based on the information they provided. This information is subject to change. The part numbers that TE has identified as EU RoHS compliant have a maximum concentration of 0.1% by weight in homogenous materials for lead, hexavalent chromium, mercury, PBB, PBDE, DBP, BBP, DEHP, DIBP, and 0.01% for cadmium, or qualify for an exemption to these limits as defined in the Annexes of Directive 2011/65/EU (RoHS2). Finished electrical and electronic equipment products will be CE marked as required by Directive 2011/65/EU. Components may not be CE marked. Additionally, the part numbers that TE has identified as EU ELV compliant have a maximum concentration of 0.1% by weight in homogenous materials for lead, hexavalent chromium, and mercury, and 0.01% for cadmium, or qualify for an exemption to these limits as defined in the Annexes of Directive 2000/53/EC (ELV). Regarding the REACH Regulation, the information TE provides on SVHC in articles for this part number is based on the latest European Chemicals Agency (ECHA) 'Guidance on requirements for substances in articles' posted at this URL: <https://echa.europa.eu/guidance-documents/guidance-on-reach>

Compatible Parts



TE Part # 1860517-8
RT170R8 Jumper Bar

Also in the Series | SCHRACK Relay Package XT

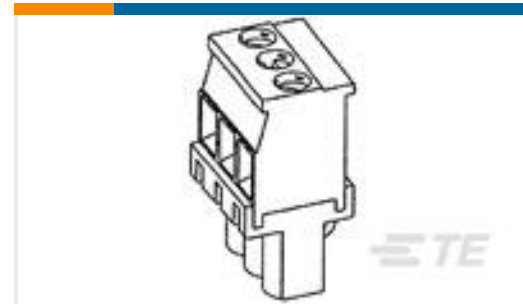


Power Relays(13)

Customers Also Bought



TE Part #52928
PIDG SPRSPD 22-16COM22-18MIL 5



TE Part #1986371-2
Str Plug, 3.5mm, Green, LH, 2



TE Part #1676294-2
RN 0805 2K74 0.1% 10PPM 1KRL



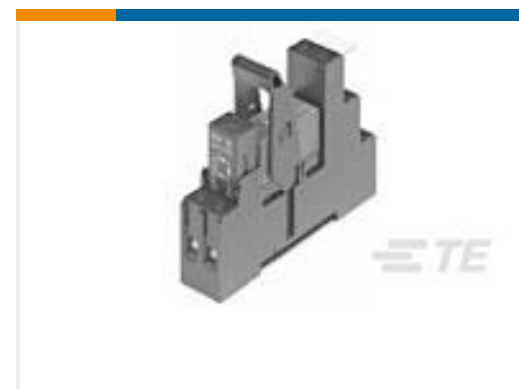
TE Part #1676703-2
RN 0805 49R9 0.1% 10PPM 1K RL



TE Part #AS608-35SN-903M
PLUG BOOT TERMINN (903M)



TE Part #1624352-1
NTC0805 5% 220R



TE Part #2-1415074-1
RT4S5T30



TE Part #1SNA179534R2200
BRT80A



TE Part #2-1991136-0
GROMMET STRIP SIZE 3 NATURAL

Documents

CAD Files

Customer View Model

[ENG_CVM_CVM_3-1415073-1_A.2d_dxf.zip](#)

English

3D PDF

3D

Customer View Model

[ENG_CVM_CVM_3-1415073-1_A.3d_igs.zip](#)

English

Customer View Model

[ENG_CVM_CVM_3-1415073-1_A.3d_stp.zip](#)

English

By downloading the CAD file I accept and agree to the [Terms and Conditions](#) of use.

Datasheets & Catalog Pages

[Relay Package Package RT](#)

English



Product Specifications

Definitions General Purpose Relays

English

Agency Approvals

UKCA_CERT_708_00005_C1

English