

KUP-14D45-110 ✓ ACTIVE

Potter & Brumfield | Potter & Brumfield KUP

TE Internal #: 3-1393118-1

Power Relays, Industrial Panel Plug-In, Monostable, DC, 1250 mW

Coil Power Rating DC, 10000 Ω Coil Resistance, Potter & Brumfield

KUP

[View on TE.com >](#)



Relays, Contactors & Switches > Relays > Power Relays



Power Relay Type: **Industrial Panel Plug-In**

Coil Magnetic System: **Monostable, DC**

Coil Power Rating DC: **1250 mW**

Coil Resistance: **10000 Ω**

Coil Special Features: **Electrical Indicator, UL Coil Insulation Class B**

Features

Product Type Features

| | |
|------------------|--------------------------|
| Power Relay Type | Industrial Panel Plug-In |
|------------------|--------------------------|

Electrical Characteristics

| | |
|--|--|
| Insulation Initial Dielectric Between Coil & Contact Class | 1500 – 2500 V |
| Insulation Initial Dielectric Between Contacts & Coil | 2200 Vrms |
| Actuating System | DC |
| Insulation Initial Dielectric Between Open Contacts | 1200 Vrms |
| Contact Limiting Making Current | 10 A |
| Contact Limiting Short-Time Current | 10 A |
| Contact Limiting Continuous Current | 10 A |
| Coil Power Rating Class | 1000 – 1500 mW |
| Insulation Initial Dielectric Between Adjacent Contacts | 2200 Vrms |
| Insulation Initial Resistance | 100 M Ω |
| Contact Limiting Breaking Current | 10 A |
| Coil Magnetic System | Monostable, DC |
| Coil Power Rating DC | 1250 mW |
| Coil Resistance | 10000 Ω |
| Coil Special Features | Electrical Indicator, UL Coil Insulation Class B |
| Coil Voltage Rating | 110 VDC |

| | |
|------------------------------|-------------|
| Contact Switching Load (Min) | 300mA @ 12V |
|------------------------------|-------------|

| | |
|------------------------|---------|
| Contact Voltage Rating | 240 VAC |
|------------------------|---------|

Body Features

| | |
|----------------|----------------|
| Product Weight | 85 g[2.988 oz] |
|----------------|----------------|

Contact Features

| | |
|---------------------|---------------|
| Contact Arrangement | 3 Form C (CO) |
|---------------------|---------------|

| | |
|-----------------------|----------------|
| Contact Current Class | 5 – 10 A, 16 A |
|-----------------------|----------------|

| | |
|------------------------------|------|
| Contact Current Rating (Max) | 10 A |
|------------------------------|------|

| | |
|------------------|-------|
| Contact Material | AgCdO |
|------------------|-------|

| | |
|-------------------------|---|
| Contact Number of Poles | 3 |
|-------------------------|---|

| | |
|---------------------|-----------------------|
| Relay Terminal Type | Quick Connect, Solder |
|---------------------|-----------------------|

Mechanical Attachment

| | |
|---------------------|--------|
| Relay Mounting Type | Socket |
|---------------------|--------|

Dimensions

| | |
|---------------------------|------------|
| Length Class (Mechanical) | 35 – 40 mm |
|---------------------------|------------|

| | |
|---------------------------|------------|
| Height Class (Mechanical) | 40 – 50 mm |
|---------------------------|------------|

| | |
|--------------------------|------------|
| Width Class (Mechanical) | 30 – 40 mm |
|--------------------------|------------|

| | |
|---------------|-------------------|
| Product Width | 35.7 mm[1.405 in] |
|---------------|-------------------|

| | |
|----------------|------------------|
| Product Length | 38.9 mm[1.55 in] |
|----------------|------------------|

| | |
|----------------|----------------|
| Product Height | 50 mm[1.97 in] |
|----------------|----------------|

Usage Conditions

| | |
|---|------------|
| Environmental Ambient Temperature Class | 50 – 70 °C |
|---|------------|

| | |
|---|---------------|
| Environmental Ambient Temperature (Max) | 70 °C[158 °F] |
|---|---------------|

| | |
|-----------------------------|-------------|
| Operating Temperature Range | -45 – 70 °C |
|-----------------------------|-------------|

Packaging Features

| | |
|------------------|---------|
| Packaging Method | Package |
|------------------|---------|

Product Compliance

[For compliance documentation, visit the product page on TE.com>](#)

| | |
|------------------------------|---------------------------|
| EU RoHS Directive 2011/65/EU | Compliant with Exemptions |
|------------------------------|---------------------------|

| | |
|-----------------------------|---------------|
| EU ELV Directive 2000/53/EC | Not Compliant |
|-----------------------------|---------------|

| | |
|---|--------------------------------------|
| China RoHS 2 Directive MIIT Order No 32, 2016 | Restricted Materials Above Threshold |
|---|--------------------------------------|



EU REACH Regulation (EC) No. 1907/2006

Current ECHA Candidate List: JUNE 2023
(235)

Candidate List Declared Against: JUNE
2022 (224)

SVHC > Threshold:

Cadmium oxide (4.37% in component part)

Article Safe Usage Statements:

Use personal protective equipment as required. Do not eat, drink or smoke when using this product. Recycle if possible and dispose of the article by following all applicable governmental regulations relevant to your geographic location.

Halogen Content

Low Halogen - Br, Cl, F, I < 900 ppm per
homogenous material. Also BFR/CFR/PVC
Free

Solder Process Capability

Not applicable for solder process capability

Product Compliance Disclaimer

This information is provided based on reasonable inquiry of our suppliers and represents our current actual knowledge based on the information they provided. This information is subject to change. The part numbers that TE has identified as EU RoHS compliant have a maximum concentration of 0.1% by weight in homogenous materials for lead, hexavalent chromium, mercury, PBB, PBDE, DBP, BBP, DEHP, DIBP, and 0.01% for cadmium, or qualify for an exemption to these limits as defined in the Annexes of Directive 2011/65/EU (RoHS2). Finished electrical and electronic equipment products will be CE marked as required by Directive 2011/65/EU. Components may not be CE marked. Additionally, the part numbers that TE has identified as EU ELV compliant have a maximum concentration of 0.1% by weight in homogenous materials for lead, hexavalent chromium, and mercury, and 0.01% for cadmium, or qualify for an exemption to these limits as defined in the Annexes of Directive 2000/53/EC (ELV). Regarding the REACH Regulation, the information TE provides on SVHC in articles for this part number is based on the latest European Chemicals Agency (ECHA) 'Guidance on requirements for substances in articles' posted at this URL: <https://echa.europa.eu/guidance-documents/guidance-on-reach>

Compatible Parts



TE Part # 2-1419106-5
27E893=SOCKET,KU,11,QC,POLY,NA-



TE Part # 1393143-1
27E043=SOCKET,KU,11,SLG,NYL,N



TE Part # 1393143-5
27E121=SOCKET,KUP,11,SCW,PLE



TE Part # 1393143-2
27E067=SOCKET,KU,11,QC.187,NY



TE Part # 3-1393143-8
27E396=SOCKETS

Also in the Series | **Potter & Brumfield KUP**



Power Relays(155)



Relay Accessories, Sockets & Clips(12)

Customers Also Bought



TE Part #5-1415019-1
SR6C4110 - V23050-A1110-A551



TE Part #2-1415012-1
V23047-A1110-A511



TE Part #7-1393117-8
KUP-14A15-120=KU-



TE Part #3-1393250-2
W28-XQ1A-2=W28-



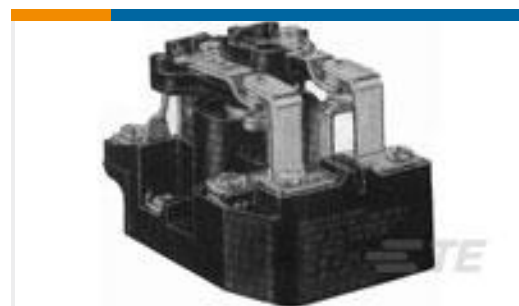
TE Part #8-1393117-6
KUP-14A31F-120=KU



TE Part #5-1393144-4
K10P-11D15-110=K10/K20



TE Part #1-1393127-6
PRD-11AH0-120=PRD



TE Part #3-1393127-0
PRD-11AY0-240=PRD

Documents

CAD Files

Customer View Model

[ENG_CVM_CVM_3-1393118-1_D.2d_dxf.zip](#)

English

3D PDF

3D

Customer View Model

[ENG_CVM_CVM_3-1393118-1_D.3d_igs.zip](#)

English

Customer View Model

[ENG_CVM_CVM_3-1393118-1_D.3d_stp.zip](#)

English

By downloading the CAD file I accept and agree to the [Terms and Conditions](#) of use.

Datasheets & Catalog Pages

KUP Series Panel Plug-in Relay

English



Product Specifications

Definitions General Purpose Relays

English

Agency Approvals

UL

English