



Connectors > Circular Connectors > Standard Circular Connectors



Connector System: **Wire-to-Wire**

Number of Positions: **3**

Connector & Contact Terminates To: **Wire & Cable**

Reverse Gender: **No**

Contacts Preloaded: **No**

Features

Product Type Features

Connector System	Wire-to-Wire
Connector & Contact Terminates To	Wire & Cable
Circular Connector Type	Receptacle

Configuration Features

Number of Positions	3
Contacts Preloaded	No

Contact Features

Reverse Gender	No
Circular Connector Contact Type	Socket

Product Compliance

[For compliance documentation, visit the product page on TE.com>](#)

EU RoHS Directive 2011/65/EU	Compliant with Exemptions
EU ELV Directive 2000/53/EC	Compliant with Exemptions



China RoHS 2 Directive MIIT Order No 32, 2016	Restricted Materials Above Threshold
EU REACH Regulation (EC) No. 1907/2006	Current ECHA Candidate List: JUNE 2023 (235) Candidate List Declared Against: JUNE 2023 (235) SVHC > Threshold: Pb (1.6% in Component Part) Article Safe Usage Statements: Do not eat, drink or smoke when using this product. Wash thoroughly after handling. Recycle if possible and dispose of the article by following all applicable governmental regulations relevant to your geographic location.
Halogen Content	Low Halogen - Br, Cl, F, I < 900 ppm per homogenous material. Also BFR/CFR/PVC Free
Solder Process Capability	Not reviewed for solder process capability

Product Compliance Disclaimer

This information is provided based on reasonable inquiry of our suppliers and represents our current actual knowledge based on the information they provided. This information is subject to change. The part numbers that TE has identified as EU RoHS compliant have a maximum concentration of 0.1% by weight in homogenous materials for lead, hexavalent chromium, mercury, PBB, PBDE, DBP, BBP, DEHP, DIBP, and 0.01% for cadmium, or qualify for an exemption to these limits as defined in the Annexes of Directive 2011/65/EU (RoHS2). Finished electrical and electronic equipment products will be CE marked as required by Directive 2011/65/EU. Components may not be CE marked. Additionally, the part numbers that TE has identified as EU ELV compliant have a maximum concentration of 0.1% by weight in homogenous materials for lead, hexavalent chromium, and mercury, and 0.01% for cadmium, or qualify for an exemption to these limits as defined in the Annexes of Directive 2000/53/EC (ELV). Regarding the REACH Regulation, the information TE provides on SVHC in articles for this part number is based on the latest European Chemicals Agency (ECHA) 'Guidance on requirements for substances in articles' posted at this URL: <https://echa.europa.eu/guidance-documents/guidance-on-reach>

Compatible Parts



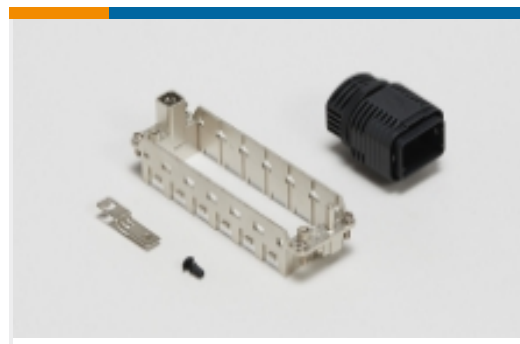
Also in the Series | **NECTOR M Series**



Circular Connector Hardware(1)



Plug & Socket Lighting Connector Accessories(1)



Rectangular Connector Hardware(13)



Rectangular Power Connectors(2)



Standard Circular Connectors(124)

Customers Also Bought



TE Part #292173-9
CT BOX HDR H SMT 9P O/TAPE BLA



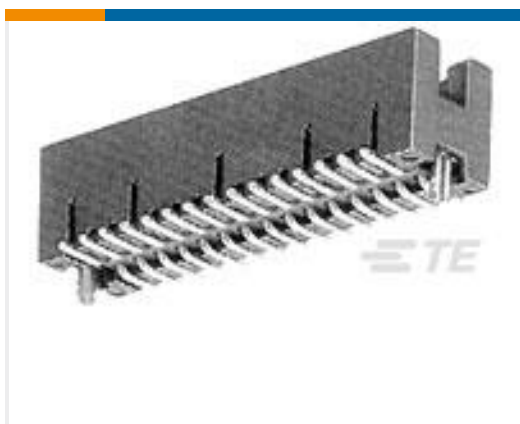
TE Part #293708-1
NECTOR M SCREW NUT 5,6,7P



TE Part #9-2176370-7
RQ 0603 4K32 0.1% 10PPM 5K RL



TE Part #1-293476-2
NECTOR M PIN CTC BRASS TIN PLTD



TE Part #5-104655-7
60 50/50 HDR DRST SFMNT TIN



TE Part #293590-1
NECTOR M PIN 90DEG PCB 3P CODE A



TE Part #293688-1
NECTOR M PIN HSG PANEL MOUNT 5P CODE A

Documents

Product Drawings

[NECTOR M SKT 90DEG PCB CONN 3P CODE A](#)

English

CAD Files

[3D PDF](#)

[3D](#)

[Customer View Model](#)

[ENG_CVM_CVM_293602-1_F_c-293602-1-f.2d_dxf.zip](#)



English

Customer View Model

[ENG_CVM_CVM_293602-1_F_c-293602-1-f.3d_igs.zip](#)

English

Customer View Model

[ENG_CVM_CVM_293602-1_F_c-293602-1-f.3d_stp.zip](#)

English

By downloading the CAD file I accept and agree to the [Terms and Conditions](#) of use.

Agency Approvals

[Agency Approval Document](#)

English