



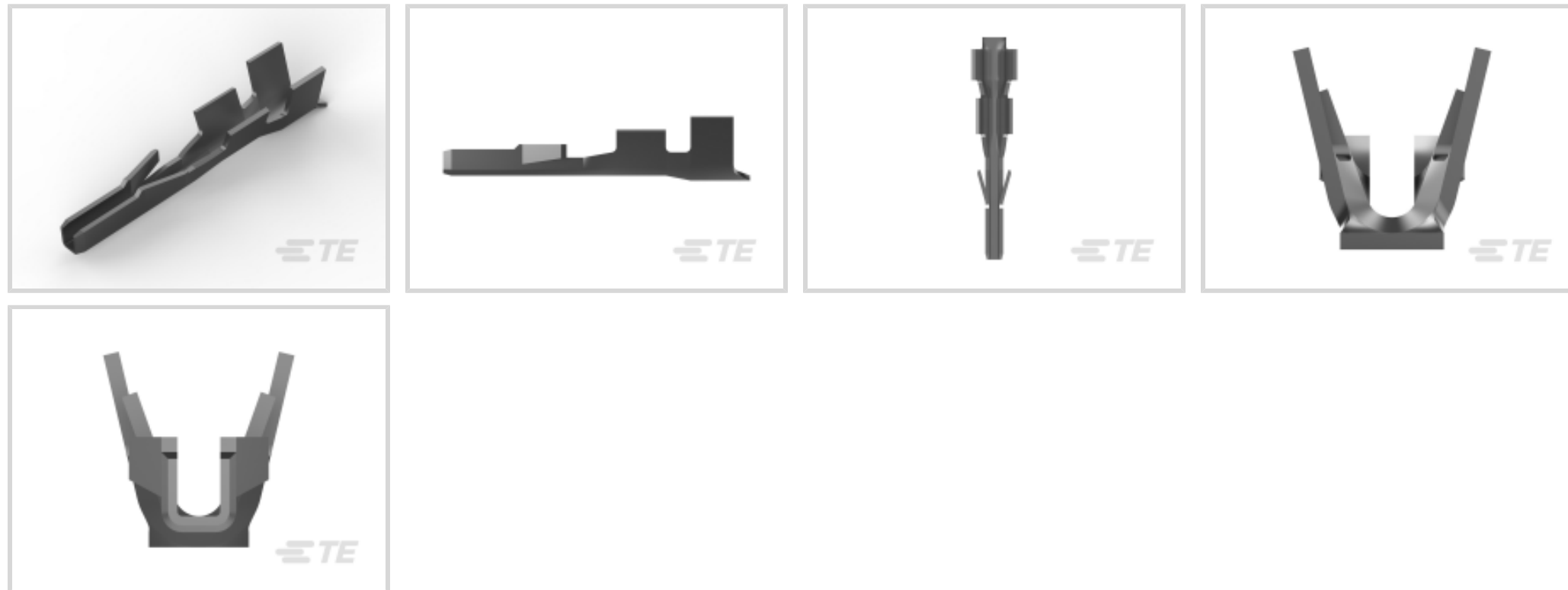
RAST

TE Internal #: 293322-1

Connector Contact, Tab, Wire-to-Wire, 22 – 18 AWG Wire Size, .3 – .8 mm² Wire Size, Tin, Reel, Wire & Cable, 6 A, Power & Signal

[View on TE.com >](#)

Connectors > PCB Connectors > Wire-to-Board Connectors > Wire-to-Board Connector Contacts



Contact Type: **Tab**

Connector System: **Wire-to-Wire**

Wire Size: **.3 – .8 mm²**

Contact Mating Area Plating Material: **Tin**

Features

Product Type Features

Connector System	Wire-to-Wire
Connector & Contact Terminates To	Wire & Cable

Contact Features

Mating Tab Width	1.5 mm[.059 in]
Mating Tab Thickness	1.6 mm[.062 in]
Wire Contact Termination Area Plating Material	Pre-Tin
Contact Base Material	Brass
Contact Type	Tab
Contact Mating Area Plating Material	Tin
Contact Current Rating (Max)	6 A

Termination Features

Termination Method to Wire & Cable	Crimp
------------------------------------	-------

Mechanical Attachment

Connector Mounting Type	Cable Mount (Free-Hanging)
-------------------------	----------------------------

Dimensions



Compatible Insulation Diameter Range	1.4 – 2.5 mm [.055 – .098 in]
--------------------------------------	-------------------------------

Wire Size	.3 – .8 mm ²
-----------	-------------------------

Usage Conditions

Operating Temperature Range	-40 – 110 °C [-40 – 230 °F]
-----------------------------	-----------------------------

Operation/Application

Circuit Application	Power & Signal
---------------------	----------------

Packaging Features

Packaging Quantity	3000
--------------------	------

Packaging Method	Reel
------------------	------

Product Compliance

[For compliance documentation, visit the product page on TE.com>](#)

EU RoHS Directive 2011/65/EU	Compliant
------------------------------	-----------

EU ELV Directive 2000/53/EC	Compliant
-----------------------------	-----------

China RoHS 2 Directive MIIT Order No 32, 2016	No Restricted Materials Above Threshold
---	---

EU REACH Regulation (EC) No. 1907/2006	Current ECHA Candidate List: JUNE 2023 (235) Candidate List Declared Against: JUNE 2023 (235) Does not contain REACH SVHC
--	---

Halogen Content	Low Halogen - Br, Cl, F, I < 900 ppm per homogenous material. Also BFR/CFR/PVC Free
-----------------	---

Solder Process Capability	Not applicable for solder process capability
---------------------------	--

Product Compliance Disclaimer

This information is provided based on reasonable inquiry of our suppliers and represents our current actual knowledge based on the information they provided. This information is subject to change. The part numbers that TE has identified as EU RoHS compliant have a maximum concentration of 0.1% by weight in homogenous materials for lead, hexavalent chromium, mercury, PBB, PBDE, DBP, BBP, DEHP, DIBP, and 0.01% for cadmium, or qualify for an exemption to these limits as defined in the Annexes of Directive 2011/65/EU (RoHS2). Finished electrical and electronic equipment products will be CE marked as required by Directive 2011/65/EU. Components may not be CE marked. Additionally, the part numbers that TE has identified as EU ELV compliant have a maximum concentration of 0.1% by weight in homogenous materials for lead, hexavalent chromium, and mercury, and 0.01% for cadmium, or qualify for an exemption to these limits as defined in the Annexes of Directive 2000/53/EC (ELV). Regarding the REACH Regulation, the information TE provides on SVHC in articles for this part number is based on the latest European Chemicals Agency (ECHA) 'Guidance on requirements for substances in articles' posted at this URL: <https://echa.europa.eu/guidance-documents/guidance-on-reach>

Compatible Parts



TE Part # 2305570-1
Strip Terminal Cutter-Side Feed-No Crimp



TE Part # 2151228-1
OCEAN_2.0_APPLICATOR-S-080F120F



TE Part # 2151228-2
OCEAN_2.0_APPLICATOR-S-080F120F



TE Part # 293230-1
RAST2.5 W2W Crimp-IDC 4pos Motor Mnt



KIT
TE Part # 7-2151228-7
OCEAN_2.0_SPARE_PART_KIT-080F120F



TE Part # 2-2151228-1
OCEAN_2.0_APPLICATOR-S-080F120F

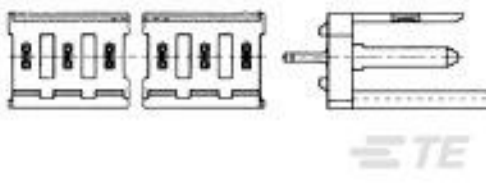


TE Part # 2-2151228-2
OCEAN_2.0_APPLICATOR-S-080F120F

Customers Also Bought



TE Part #3-640442-6
06P MTA100 CONN ASSY BLU



TE Part #280609-2
2P MOD 1 SHROUDED HEADER, ST, 0.4 Au



TE Part #925369-2
MOD 4 REC.HSG 1X02P



TE Part #9-1241961-2
STD TIM HOUSING MKII 2POS



TE Part #1028-024-0305
BKSHL, 3P, BLK, REC, ST, NW 8.5



TE Part #5260030007
TC-CAPS-4005-8



TE Part #284865-4
Direct mount card edge conn.,



TE Part #3-1534799-1
AMP DUOPLUG MK2 CONNECTOR 11P SELECTIVE

TE Part #81114-000
LS503-20268 LIQUID LEVEL SENSO

Documents



Product Drawings

CRIMPED TAB CONTACT, P.C.B. INTERFACE

CAD Files

3D PDF

3D

Customer View Model

[ENG_CVM_CVM_293322-1_A_c-293322-1-a.2d_dxf.zip](#)

English

Customer View Model

[ENG_CVM_CVM_293322-1_A_c-293322-1-a.3d_igs.zip](#)

English

Customer View Model

[ENG_CVM_CVM_293322-1_A_c-293322-1-a.3d_stp.zip](#)

English

By downloading the CAD file I accept and agree to the [Terms and Conditions](#) of use.

Product Specifications

Application Specification

English

Product Environmental Compliance

[MD_293322-1_06052018124_dmtec](#)

English

[MD_293322-1_06052018124_dmtec](#)

English