

293008-1 ✓ ACTIVE

[RAST](#) | [RAST 5 IDC Connectors](#)

TE Internal #: 293008-1

Housing, Plug, Wire-to-Wire, 3 Position, .197 in [5 mm] Centerline, 1

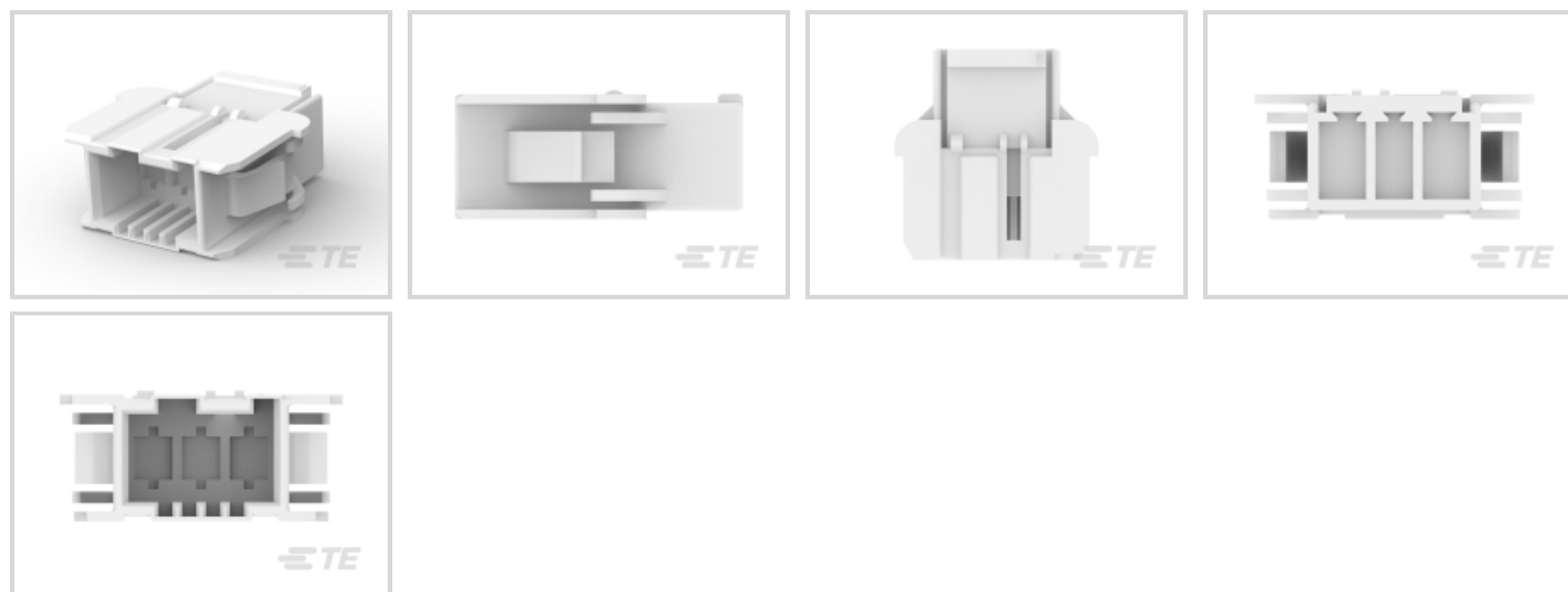
Row, Natural, Wire & Cable, Power & Signal, Panel Mount, RAST 5

IDC Connectors

[View on TE.com >](#)



[Connectors](#) > [PCB Connectors](#) > [Wire-to-Board Connectors](#) > [Wire-to-Board Connector Assemblies & Housings](#)



Connector Product Type: **Housing**

Connector & Housing Type: **Plug**

Connector System: **Wire-to-Wire**

Number of Positions: **3**

Centerline (Pitch): **5 mm [.197 in]**

Features

Product Type Features

Connector Product Type	Housing
Connector & Housing Type	Plug
Connector System	Wire-to-Wire
Sealable	No
Connector & Contact Terminates To	Wire & Cable

Configuration Features

Number of Positions	3
Number of Rows	1

Body Features

Primary Product Color	Natural
-----------------------	---------

Mechanical Attachment

Panel Mount Feature	With
Panel Mount Feature Type	Latches
Connector Mounting Type	Panel Mount



Housing Features

Centerline (Pitch)	5 mm [.197 in]
--------------------	----------------

Usage Conditions

Operating Temperature Range	-25 – 105 °C [-13 – 221 °F]
-----------------------------	-----------------------------

Operation/Application

Circuit Application	Power & Signal
---------------------	----------------

Product Compliance

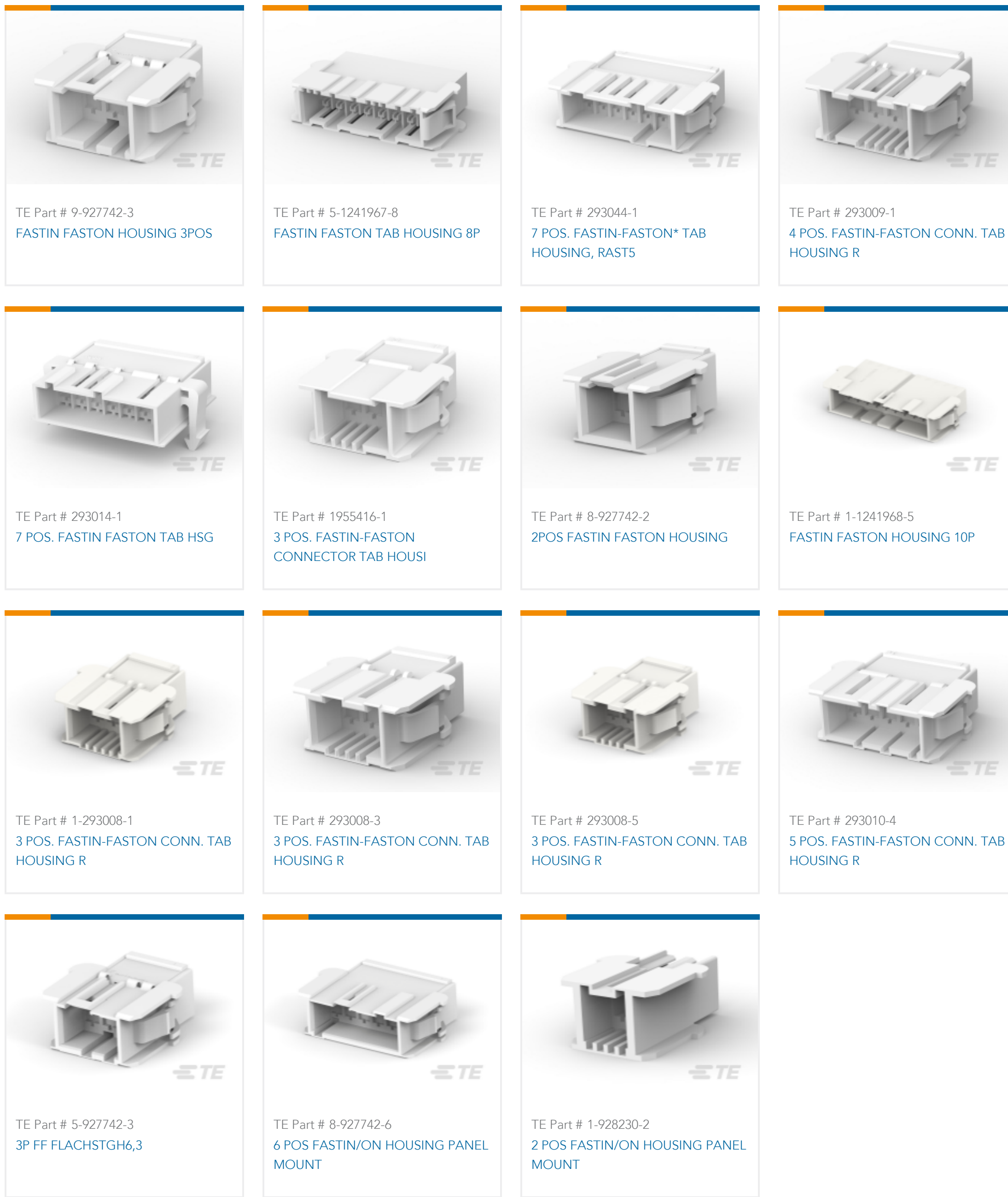
[For compliance documentation, visit the product page on TE.com>](#)

EU RoHS Directive 2011/65/EU	Compliant
EU ELV Directive 2000/53/EC	Compliant
China RoHS 2 Directive MIIT Order No 32, 2016	No Restricted Materials Above Threshold
EU REACH Regulation (EC) No. 1907/2006	Current ECHA Candidate List: JAN 2023 (233) Candidate List Declared Against: JAN 2023 (233) Does not contain REACH SVHC
Halogen Content	Not Low Halogen - contains Br or Cl > 900 ppm.
Solder Process Capability	Not applicable for solder process capability

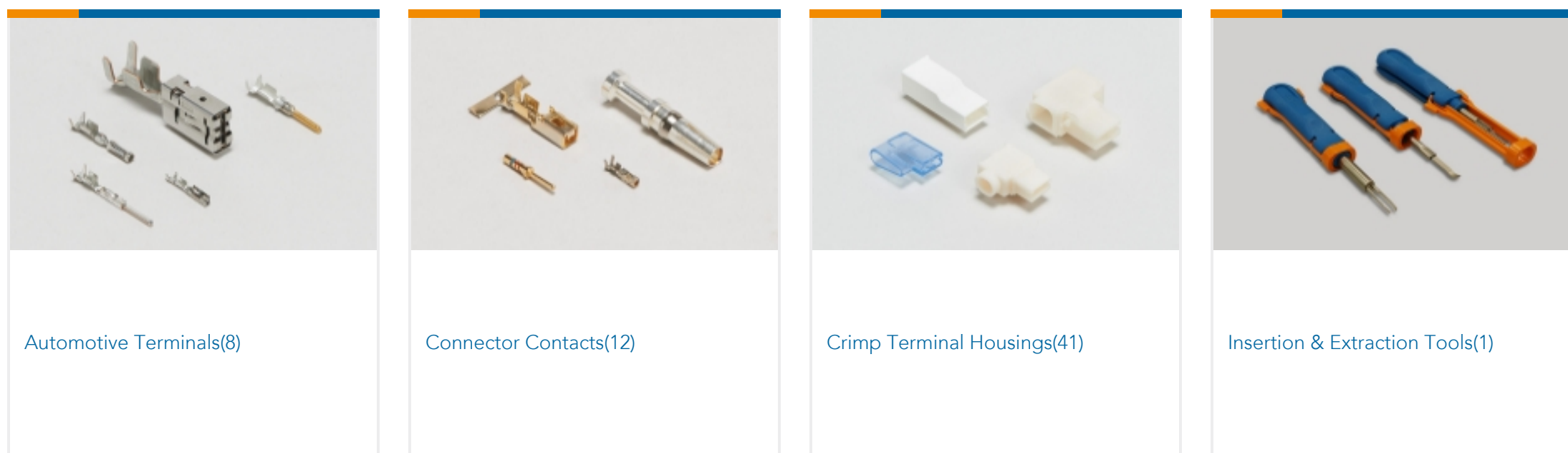
Product Compliance Disclaimer

This information is provided based on reasonable inquiry of our suppliers and represents our current actual knowledge based on the information they provided. This information is subject to change. The part numbers that TE has identified as EU RoHS compliant have a maximum concentration of 0.1% by weight in homogenous materials for lead, hexavalent chromium, mercury, PBB, PBDE, DBP, BBP, DEHP, DIBP, and 0.01% for cadmium, or qualify for an exemption to these limits as defined in the Annexes of Directive 2011/65/EU (RoHS2). Finished electrical and electronic equipment products will be CE marked as required by Directive 2011/65/EU. Components may not be CE marked. Additionally, the part numbers that TE has identified as EU ELV compliant have a maximum concentration of 0.1% by weight in homogenous materials for lead, hexavalent chromium, and mercury, and 0.01% for cadmium, or qualify for an exemption to these limits as defined in the Annexes of Directive 2000/53/EC (ELV). Regarding the REACH Regulation, the information TE provides on SVHC in articles for this part number is based on the latest European Chemicals Agency (ECHA) 'Guidance on requirements for substances in articles' posted at this URL: <https://echa.europa.eu/guidance-documents/guidance-on-reach>

Compatible Parts



Also in the Series | RAST 5 IDC Connectors

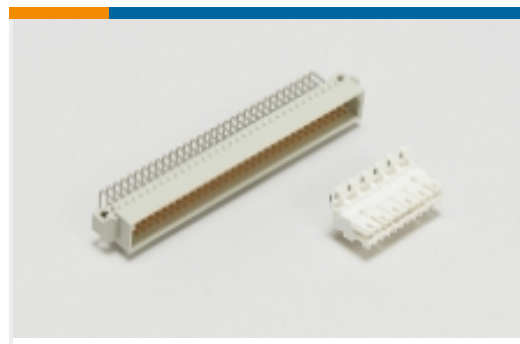




PCB Headers & Receptacles(417)



Rectangular Connector Housings(1)



Standard Edge Connectors(34)



Standard Rectangular Connectors(68)



Wire-to-Board Connector Assemblies & Housings(214)



Wire-to-Board Connector Contacts(2)

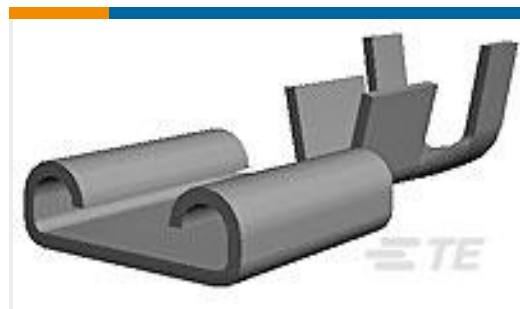
Customers Also Bought



TE Part #1971783-1
PTL RECEPTACLE CONTACT, 16-19 AWG, 2X22



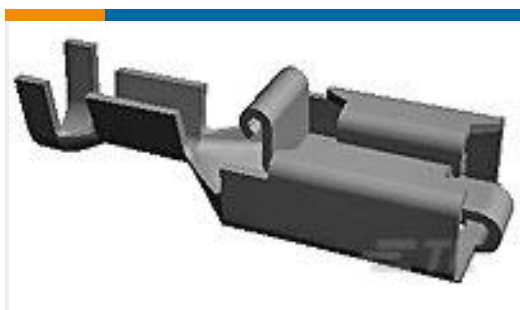
TE Part #794274-1
04P UMNL WIRE SEAL



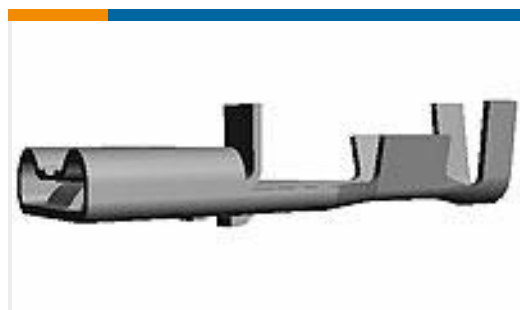
TE Part #6-160432-0
250 FASTON REC 20-16 AWG TPBZ



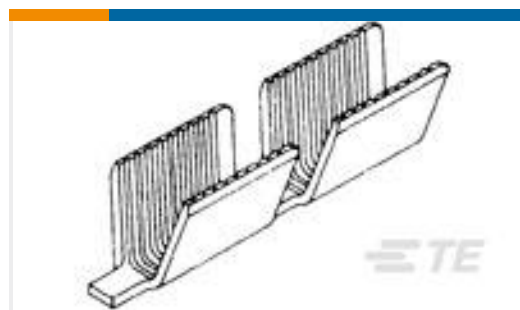
TE Part #2-520183-2
ULTRA-FAST 250 ASY REC 22-18 TPBR



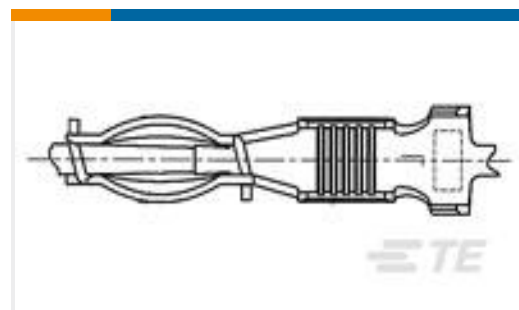
TE Part #154718-6
250 PL MKI REC. 18-14AWG PTPB



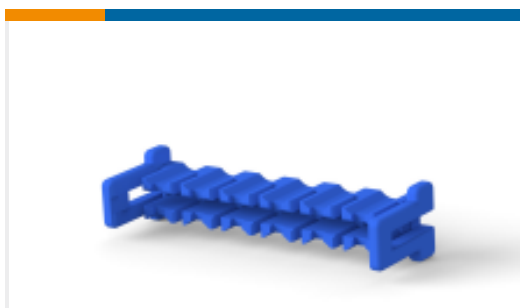
TE Part #170327-1
250 PL MKII REC. 22-18AWG PTBR



TE Part #62308-2
AMVAR SPLC 3000-7000 020TPBR



TE Part #353937-1
2.3 CLUSTER REC AMPLIVAR TYPE



TE Part #2-1971904-6
TPA 12POS,NEW GIC3.3



TE Part #1-1969590-0
HSG, REC, PANEL MOUNT, SINGLE ROW,EP2.5

Documents



Product Drawings

3 POS. FASTIN-FASTON CONN. TAB HOUSING R

English

CAD Files

3D PDF

3D

Customer View Model

[ENG_CVM_CVM_293008-1_D.2d_dxf.zip](#)

English

Customer View Model

[ENG_CVM_CVM_293008-1_D.3d_igs.zip](#)

English

Customer View Model

[ENG_CVM_CVM_293008-1_D.3d_stp.zip](#)

English

By downloading the CAD file I accept and agree to the [Terms and Conditions](#) of use.

Datasheets & Catalog Pages

FASTIN_FASTON_Product_Line

English

Product Specifications

Product Specification

English

Product Environmental Compliance

MD_293008-1_06062018822_dmtec

English

MD_293008-1_06062018822_dmtec

English