



Energy & Power > Power Cable Accessories > Joints & Splices



Joints & Splice Product Availability: **AMERICAS**

Installation Instruction: **English**

Joints & Splice Technology: **Cold Applied, Cold Shrink**

Joints & Splice Voltage Class: **≤ 1 kV**

Joints & Splice Product Type: **Motor Connection Kit**

Features

Product Type Features

Component Design	PowerGel Sealing Gel
Adhesive Coating	Silicone Gel
Joints & Splice Technology	Cold Applied, Cold Shrink
Joints & Splice Product Type	Motor Connection Kit

Electrical Characteristics

Joints & Splice Voltage Class	≤ 1 kV
-------------------------------	-------------

Body Features

Flexibility	Semi-Flexible
-------------	---------------

Mechanical Attachment

Mechanical Reinforcement	Molded Cap Clamp
--------------------------	------------------

Dimensions

Conductor Range (Main)	125 – 250 mm ²
Bolt Width (Max)	28 mm[1.1 in]
Lug Barrel Length (Max)	51 mm[2 in]
Bolt Length (Max)	1.85 mm, 47 mm
GelCap Length (Nominal)	203 mm[8 in]
Lug Overall Length (Max)	127 mm[5 in]
Cross-Section Range	125 – 250 mm ² [250 – 500 AWG/kcmil]



Cable Cross-Section (Max) (Main)	250 mm ²
----------------------------------	---------------------

Cable Cross-Section (Min) (Main)	125 mm ²
----------------------------------	---------------------

Usage Conditions

Environmental Resistance	ASTM D1149, 168 Hours @40°C, 50 ppm
--------------------------	-------------------------------------

Operating Temperature Range	-40 – 105 °C
-----------------------------	--------------

Chemical Resistance	ASTM D543, Sulfuric Acid, Sodium Hydroxide, Transformer & Motor Oil
---------------------	---------------------------------------------------------------------

Operation/Application

Thermal Resistance	Applicable for Low Temperatures, Applicable for High Temperatures, Flame-Retardant
--------------------	------------------------------------------------------------------------------------

Mechanical Resistance	Abrasion Resistant (2040 gm wt, 4000 cycles, 5% max thickness loss), Against Mechanical Impact or Damage
-----------------------	----------------------------------------------------------------------------------------------------------

UV-Stabilized	ASTM G53, UVB, 4000 hours, 4 hour on/off cycle
---------------	------------------------------------------------

Industry Standards

Standards	ANSI C119.1
-----------	-------------

UL Rating	UL 486A-486B
-----------	--------------

Product Availability

Joints & Splice Product Availability	AMERICAS
--------------------------------------	----------

Packaging Features

Standard Pack	5
---------------	---

Packaging Quantity	1
--------------------	---

Packaging Method	Bag
------------------	-----

Other

Product Use	PowerGel-filled cap for motor lead and stub splice connections
-------------	----------------------------------------------------------------

Installation Instruction	English
--------------------------	---------

Product Compliance

[For compliance documentation, visit the product page on TE.com>](#)

EU RoHS Directive 2011/65/EU	Compliant
------------------------------	-----------

EU ELV Directive 2000/53/EC	Compliant
-----------------------------	-----------



China RoHS 2 Directive MIIT Order No 32, 2016	No Restricted Materials Above Threshold
EU REACH Regulation (EC) No. 1907/2006	Current ECHA Candidate List: JUNE 2023 (235) Candidate List Declared Against: JAN 2021 (211) Does not contain REACH SVHC
Halogen Content	Low Halogen - Br, Cl, F, I < 900 ppm per homogenous material. Also BFR/CFR/PVC Free
Solder Process Capability	Not applicable for solder process capability

Product Compliance Disclaimer

This information is provided based on reasonable inquiry of our suppliers and represents our current actual knowledge based on the information they provided. This information is subject to change. The part numbers that TE has identified as EU RoHS compliant have a maximum concentration of 0.1% by weight in homogenous materials for lead, hexavalent chromium, mercury, PBB, PBDE, DBP, BBP, DEHP, DIBP, and 0.01% for cadmium, or qualify for an exemption to these limits as defined in the Annexes of Directive 2011/65/EU (RoHS2). Finished electrical and electronic equipment products will be CE marked as required by Directive 2011/65/EU. Components may not be CE marked. Additionally, the part numbers that TE has identified as EU ELV compliant have a maximum concentration of 0.1% by weight in homogenous materials for lead, hexavalent chromium, and mercury, and 0.01% for cadmium, or qualify for an exemption to these limits as defined in the Annexes of Directive 2000/53/EC (ELV). Regarding the REACH Regulation, the information TE provides on SVHC in articles for this part number is based on the latest European Chemicals Agency (ECHA) 'Guidance on requirements for substances in articles' posted at this URL: <https://echa.europa.eu/guidance-documents/guidance-on-reach>

Compatible Parts



TE Part # 632692-000
GELCAP-3(B5)



TE Part # 986734-000
GELCAP-2(B5)



TE Part # F40658-000
GELCAP-SL-2/0-3HOLE(B10)

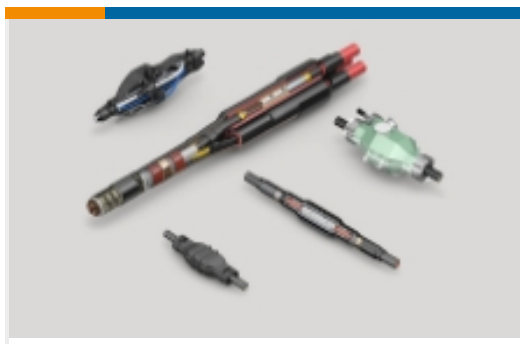


TE Part # 566376-000
GELCAP-1(B5)



TE Part # CP1967-000
GELCAP-SL-2/0-3HOLE-B100

Also in the Series | **RAYCHEM GelCap**



Joints & Splices(4)



Street Lighting Connectors(2)

Customers Also Bought



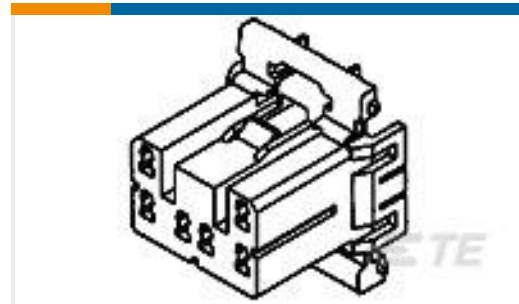
TE Part #4-1393248-2
W33-T4B1Q-10=W33



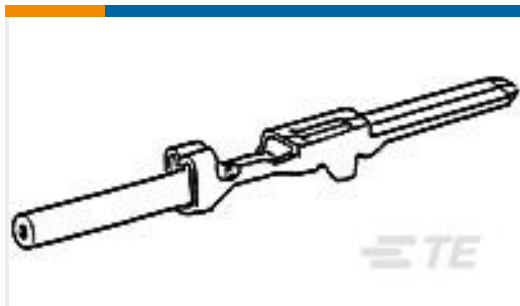
TE Part #226600-1
UHF PLUG-MINIATURE



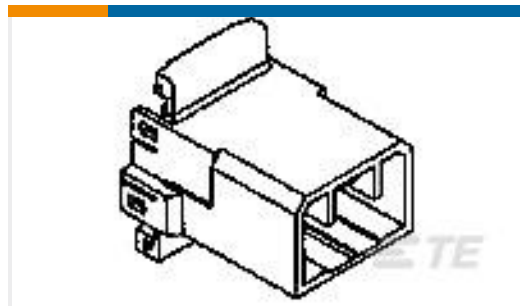
TE Part #5-1393144-9
K10P-11D15-48=K10/K20



TE Part #174465-1
070 MULTILOCK 10P B DOUBLE



TE Part #173633-2
070 MLC TAB CONT 24-22



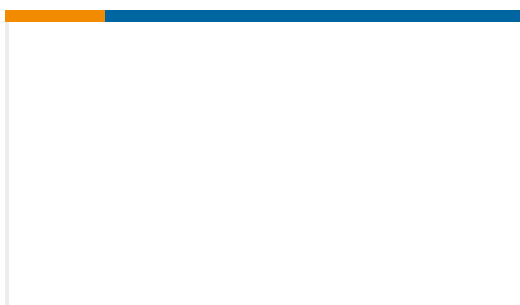
TE Part #174932-1
070 MLC W-W CAP HSG 10P



TE Part #4-1393127-7
PRD-11DH0-12=PRD



TE Part #8-1618404-1
LEV200AKNAF=RELAY, SPST-NO
72VDC



TE Part #600852
INDEXING DEVICE ASSEMBLY

Documents

Datasheets & Catalog Pages

[GELCAP-MOTOR-CONNECTION-CABLE-ACCESSORIES](#)

English

Instruction Sheets

[Instruction Sheet \(U.S.\)](#)

English