

292180-1 ✓ ACTIVE

CT Hybrid Drawer

TE Internal #: 292180-1

Connector Assembly, Plug to Plug Relay Header, Wire-to-Wire, 6 Position, .079 in [2 mm] Centerline, Crimp, 2 Row, Black, CT Hybrid Drawer

[View on TE.com >](#)



Connectors > PCB Connectors > Wire-to-Board Connectors > Wire-to-Board Connector Assemblies & Housings



Connector Product Type: **Connector Assembly**

Connector & Housing Type: **Plug to Plug Relay Header**

Connector System: **Wire-to-Wire**

Number of Positions: **6**

Centerline (Pitch): **2 mm [.079 in]**

Features

Product Type Features

Connector Product Type	Connector Assembly
Connector & Housing Type	Plug to Plug Relay Header
Connector System	Wire-to-Wire
Sealable	No
Connector & Contact Terminates To	Wire & Cable

Configuration Features

Number of Power Positions	2
Number of Signal Positions	4
Number of Positions	6
Number of Rows	2

Electrical Characteristics

Dielectric Withstanding Voltage (Max)	1800 VAC
Insulation Resistance	100 MΩ
Operating Voltage	250 VAC

Body Features

Drawer Style	Miniature Power
Primary Product Color	Black



Contact Features

Contact Type	Pin
Contact Base Material	Copper Alloy
Contact Current Rating (Max)	15 A

Termination Features

Termination Method to Wire & Cable	Crimp
------------------------------------	-------

Mechanical Attachment

Strain Relief	Without
Panel Mount Feature	With
PCB Mount Retention	Without
Panel Mount Feature Type	Mounting Ears
Mating Retention	Without
Connector Mounting Type	Panel Mount

Housing Features

Housing Material	Thermoplastic
Centerline (Pitch)	2 mm [.079 in]

Dimensions

Connector Length	33 mm [1.299 in]
Connector Height	16.4 mm [.646 in]
Connector Width	18 mm [.709 in]
Compatible Insulation Diameter Range	1.4 – 2.4 mm [.055 – .094 in]
Wire Size	.2 – 1.25 mm ²

Usage Conditions

Operating Temperature Range	-30 – 105 °C [-22 – 221 °F]
-----------------------------	-----------------------------

Operation/Application

Circuit Application	Power & Signal
---------------------	----------------

Industry Standards

Glow Wire Rating	Standard Part - Not Glow Wire
UL Flammability Rating	UL 94V-0

Packaging Features

Packaging Quantity	400
Packaging Method	Tray



Other

Discrete Wire Connector Comment	Mating Connector - 292184-1
---------------------------------	-----------------------------

Product Compliance

[For compliance documentation, visit the product page on TE.com>](#)

EU RoHS Directive 2011/65/EU	Compliant
EU ELV Directive 2000/53/EC	Compliant
China RoHS 2 Directive MIIT Order No 32, 2016	No Restricted Materials Above Threshold
EU REACH Regulation (EC) No. 1907/2006	Current ECHA Candidate List: JUNE 2023 (235) Candidate List Declared Against: JUNE 2023 (235) Does not contain REACH SVHC
Halogen Content	Not Low Halogen - contains Br or Cl > 900 ppm.
Solder Process Capability	Not applicable for solder process capability

Product Compliance Disclaimer

This information is provided based on reasonable inquiry of our suppliers and represents our current actual knowledge based on the information they provided. This information is subject to change. The part numbers that TE has identified as EU RoHS compliant have a maximum concentration of 0.1% by weight in homogenous materials for lead, hexavalent chromium, mercury, PBB, PBDE, DBP, BBP, DEHP, DIBP, and 0.01% for cadmium, or qualify for an exemption to these limits as defined in the Annexes of Directive 2011/65/EU (RoHS2). Finished electrical and electronic equipment products will be CE marked as required by Directive 2011/65/EU. Components may not be CE marked. Additionally, the part numbers that TE has identified as EU ELV compliant have a maximum concentration of 0.1% by weight in homogenous materials for lead, hexavalent chromium, and mercury, and 0.01% for cadmium, or qualify for an exemption to these limits as defined in the Annexes of Directive 2000/53/EC (ELV). Regarding the REACH Regulation, the information TE provides on SVHC in articles for this part number is based on the latest European Chemicals Agency (ECHA) 'Guidance on requirements for substances in articles' posted at this URL: <https://echa.europa.eu/guidance-documents/guidance-on-reach>

Compatible Parts

 <p>TE Part # 175149-1 UNIVERSAL POWER CONN TAB</p>	 <p>TE Part # 292184-1 HYBRID MINI DRAWER REC ASS'Y 6</p>	 <p>TE Part # 175150-1 UNIVERSAL POWER CONN TAB</p>
--	--	--

Also in the Series | **CT Hybrid Drawer**



Wire-to-Board Connector Assemblies
& Housings(16)

Customers Also Bought



TE Part #HDC16-9-E004
DUST CAP ASM



TE Part #6-173977-4
CT MT REC ASSY 4P BLACK



TE Part #61368-1
250 FASTON REC 24-20 AWG TPBR



TE Part #292254-5
CT RELAY HDR ASSY 5P NAT



TE Part #292254-7
CT RELAY HDR ASSY 7P NAT



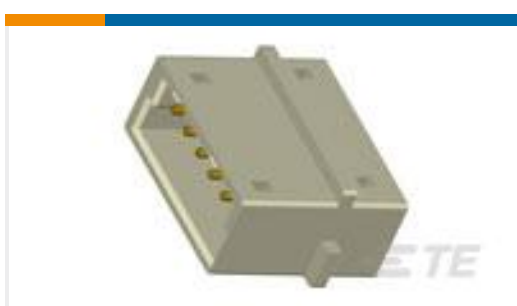
TE Part #1718760-2
MCON 1.2 LL TAB SWS AU



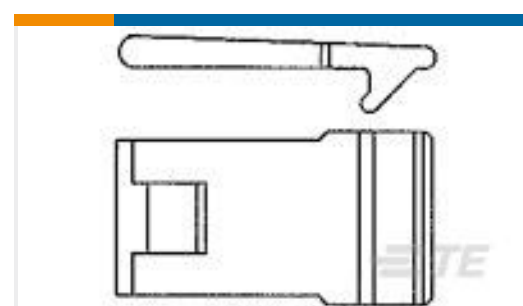
TE Part #2-1674755-0
REC ASSY FOR MINI CT HYBIRD DR



TE Part #962834-1
FF 374 REC 2.5-4 MM2 PLAIN CUSN4



TE Part #292156-2
CT RELAY HDR ASSY FREE HANGING



TE Part #620729-1
LATCH, 2MM-HM

Documents

CAD Files

3D PDF

English

Customer View Model

[ENG_CVM_292180-1_A.2d_dxf.zip](#)

English

Customer View Model

[ENG_CVM_292180-1_A.3d_igs.zip](#)



English

Customer View Model

[ENG_CVM_292180-1_A.3d_stp.zip](#)

English

By downloading the CAD file I accept and agree to the [Terms and Conditions](#) of use.

Datasheets & Catalog Pages

[POWER_CONNECTORS_CATALOG_SEC02_CABLE_MOUNTED](#)

English

[Low Power Drawer Connectors QRG](#)

English

Product Specifications

[Application Specification](#)

English

[Crimping Hybrid Mini Drawer Connector Power Line Contact](#)

English

Product Environmental Compliance

[MD_292180-1_012020152118_dmtec](#)

English

[MD_292180-1_012020152118_dmtec](#)

English

Agency Approvals

[UL Report](#)

English