



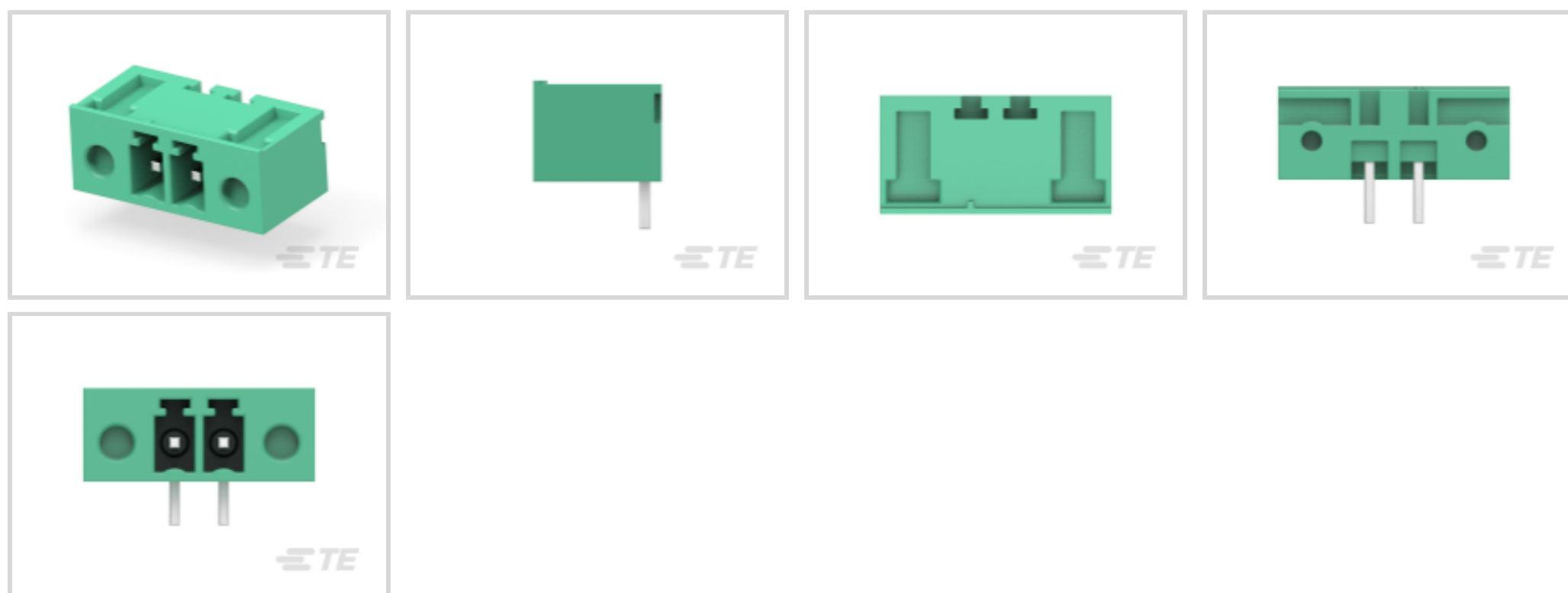
Buchanan

TE Internal #: 284541-2

PCB Terminal Blocks, Header, Wire-to-Board, 2 Position, .15 in [3.81 mm] Centerline, 1 Row, 30 – 14 AWG Wire Size, .05 – 2 mm<sup>2</sup> Wire Size

[View on TE.com >](#)

Connectors > Terminal Blocks & Strips > PCB Terminal Blocks



Terminal Block Connector Type: **Header**

Connector System: **Wire-to-Board**

Number of Positions: **2**

Centerline (Pitch): **3.81 mm [ .15 in ]**

Number of Rows: **1**

**Features**

**Product Type Features**

Header Type	Fully Shrouded
Terminal Block Connector Type	Header
Connector System	Wire-to-Board
Connector & Contact Terminates To	Printed Circuit Board

**Configuration Features**

Stacked Levels	Without
Number of Positions	2
Number of Rows	1

**Electrical Characteristics**

Operating Voltage	300 VAC
-------------------	---------

**Body Features**

Primary Product Color	Green
Product Orientation	Right Angle



### Contact Features

Contact Mating Area Plating Material	Tin
Contact Base Material	Phosphor Bronze
Contact Current Rating (Max)	11 A

### Termination Features

Termination Post & Tail Length	3.4 mm [.134 in]
Termination Method to Printed Circuit Board	Through Hole - Solder

### Mechanical Attachment

Mounting Retention Type	Thread
Connector Mounting Type	Board Mount

### Housing Features

Housing Material	PA 66
Centerline (Pitch)	3.81 mm [.15 in]

### Dimensions

Wire Size	.05 – 2 mm <sup>2</sup>
-----------	-------------------------

### Usage Conditions

Operating Temperature Range	-40 – 105 °C [-40 – 221 °F]
-----------------------------	-----------------------------

### Operation/Application

Circuit Application	Power & Signal
---------------------	----------------

### Packaging Features

Packaging Quantity	300
--------------------	-----

## Product Compliance

[For compliance documentation, visit the product page on TE.com>](#)

EU RoHS Directive 2011/65/EU	Compliant with Exemptions
EU ELV Directive 2000/53/EC	Compliant
China RoHS 2 Directive MIIT Order No 32, 2016	Restricted Materials Above Threshold
EU REACH Regulation (EC) No. 1907/2006	Current ECHA Candidate List: JUNE 2023 (235) Candidate List Declared Against: JUNE 2023 (235) SVHC > Threshold: Pb (.8% in Component Part) <small>Article Safe Usage Statements:</small>



Do not eat, drink or smoke when using this product. Wash thoroughly after handling. Recycle if possible and dispose of the article by following all applicable governmental regulations relevant to your geographic location.

Halogen Content

Low Halogen - Br, Cl, F, I < 900 ppm per homogenous material. Also BFR/CFR/PVC Free

Solder Process Capability

Wave solder capable to 240°C

Product Compliance Disclaimer

This information is provided based on reasonable inquiry of our suppliers and represents our current actual knowledge based on the information they provided. This information is subject to change. The part numbers that TE has identified as EU RoHS compliant have a maximum concentration of 0.1% by weight in homogenous materials for lead, hexavalent chromium, mercury, PBB, PBDE, DBP, BBP, DEHP, DIBP, and 0.01% for cadmium, or qualify for an exemption to these limits as defined in the Annexes of Directive 2011/65/EU (RoHS2). Finished electrical and electronic equipment products will be CE marked as required by Directive 2011/65/EU. Components may not be CE marked. Additionally, the part numbers that TE has identified as EU ELV compliant have a maximum concentration of 0.1% by weight in homogenous materials for lead, hexavalent chromium, and mercury, and 0.01% for cadmium, or qualify for an exemption to these limits as defined in the Annexes of Directive 2000/53/EC (ELV). Regarding the REACH Regulation, the information TE provides on SVHC in articles for this part number is based on the latest European Chemicals Agency (ECHA) 'Guidance on requirements for substances in articles' posted at this URL: <https://echa.europa.eu/guidance-documents/guidance-on-reach>

### Compatible Parts



TE Part # 284511-2  
2 POS TERMI-BLOK PLUG C. VITI

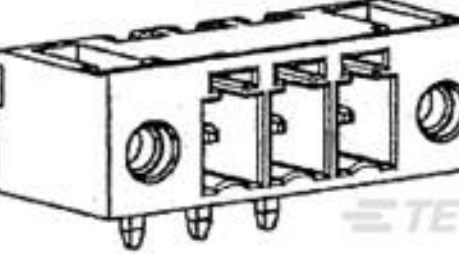
### Customers Also Bought



TE Part #5205735-7  
15 PLUG SP/MS STD



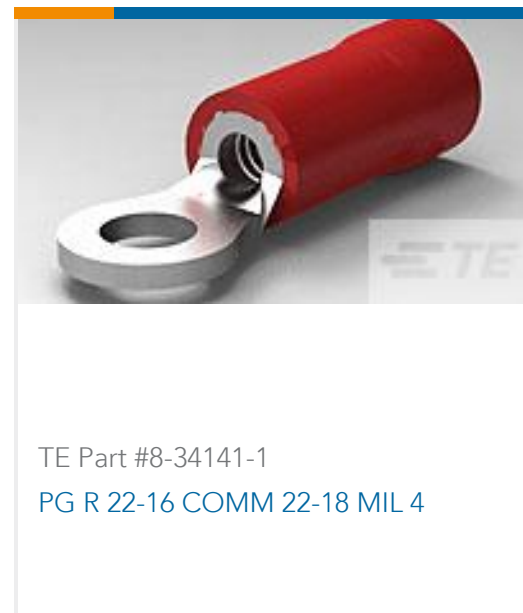
TE Part #292207-6  
MINI CT SGL DIP V 6P NAT



TE Part #284539-2  
2 POS TERMI-BLOK 900 W.S.F. 3,



TE Part #103638-2  
03 MTE HDR SRST LATCH .100CL



## Documents

### CAD Files

#### Customer View Model

[ENG\\_CVM\\_284541-2\\_C.2d\\_dxf.zip](#)

English

#### 3D PDF

English

#### Customer View Model

[ENG\\_CVM\\_284541-2\\_C.3d\\_stp.zip](#)

English

#### Customer View Model

[ENG\\_CVM\\_284541-2\\_C.3d\\_igs.zip](#)

English

By downloading the CAD file I accept and agree to the [Terms and Conditions](#) of use.

### Datasheets & Catalog Pages

#### Eurostyle Terminal Blocks Focus Product Stock List

English

#### BUCHANAN TERMINAL BLOCKS CATALOG - EUROSTYLE TERMINAL BLOCKS

English

[1-1773458-1\\_EURO\\_STYLE\\_TERMINAL\\_BLOCKS\\_QRG](#)

English

### Product Specifications

#### Application Specification

English

### Agency Approvals

284541-2

PCB Terminal Blocks, Header, Wire-to-Board, 2 Position, .15 in [3.81 mm] Centerline,  
1 Row, 30 – 14 AWG Wire Size, .05 – 2 mm<sup>2</sup> Wire Size



[UL](#)

English