



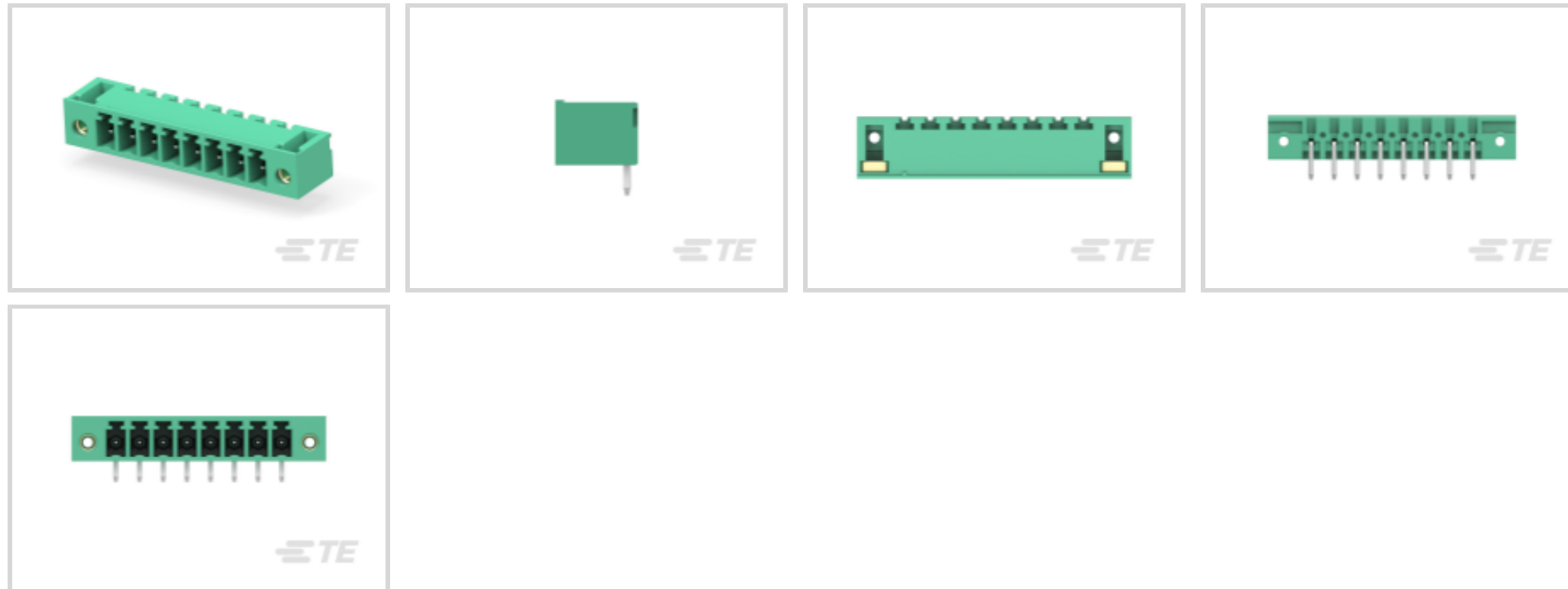
Buchanan

TE Internal #: 284539-8

PCB Terminal Blocks, Header, Wire-to-Board, 8 Position, .138 in [3.5 mm] Centerline, 1 Row, 30 – 14 AWG Wire Size, .05 – 2 mm² Wire Size

[View on TE.com >](#)

Connectors > Terminal Blocks & Strips > PCB Terminal Blocks



Terminal Block Connector Type: **Header**

Connector System: **Wire-to-Board**

Number of Positions: **8**

Centerline (Pitch): **3.5 mm [.138 in]**

Number of Rows: **1**

Features

Product Type Features

Header Type	Fully Shrouded
Terminal Block Connector Type	Header
Connector System	Wire-to-Board
Connector & Contact Terminates To	Printed Circuit Board

Configuration Features

Stacked Levels	Without
Number of Positions	8
Number of Rows	1

Electrical Characteristics

Operating Voltage	300 VAC
-------------------	---------

Body Features

Primary Product Color	Green
Product Orientation	Right Angle



Contact Features

Contact Mating Area Plating Material	Tin
Contact Base Material	Phosphor Bronze
Contact Current Rating (Max)	11 A

Termination Features

Termination Post & Tail Length	3.4 mm [.134 in]
Termination Method to Printed Circuit Board	Through Hole - Solder

Mechanical Attachment

Mounting Retention Type	Screw Mount, Thread
Connector Mounting Type	Board Mount

Housing Features

Housing Material	PA 66
Centerline (Pitch)	3.5 mm [.138 in]

Dimensions

Wire Size	.05 – 2 mm ²
-----------	-------------------------

Usage Conditions

Operating Temperature Range	-40 – 105 °C [-40 – 221 °F]
-----------------------------	-----------------------------

Operation/Application

Circuit Application	Power & Signal
---------------------	----------------

Packaging Features

Packaging Quantity	100
--------------------	-----

Product Compliance

[For compliance documentation, visit the product page on TE.com>](#)

EU RoHS Directive 2011/65/EU	Compliant
EU ELV Directive 2000/53/EC	Compliant
China RoHS 2 Directive MIIT Order No 32, 2016	No Restricted Materials Above Threshold
EU REACH Regulation (EC) No. 1907/2006	Current ECHA Candidate List: JUNE 2023 (235) Candidate List Declared Against: JUNE 2023 (235) SVHC > Threshold: Pb (.8% in Component Part) <small>Article Safe Usage Statements:</small>



Do not eat, drink or smoke when using this product. Wash thoroughly after handling. Recycle if possible and dispose of the article by following all applicable governmental regulations relevant to your geographic location.

Halogen Content

Low Halogen - Br, Cl, F, I < 900 ppm per homogenous material. Also BFR/CFR/PVC Free

Solder Process Capability

Wave solder capable to 240°C

Product Compliance Disclaimer

This information is provided based on reasonable inquiry of our suppliers and represents our current actual knowledge based on the information they provided. This information is subject to change. The part numbers that TE has identified as EU RoHS compliant have a maximum concentration of 0.1% by weight in homogenous materials for lead, hexavalent chromium, mercury, PBB, PBDE, DBP, BBP, DEHP, DIBP, and 0.01% for cadmium, or qualify for an exemption to these limits as defined in the Annexes of Directive 2011/65/EU (RoHS2). Finished electrical and electronic equipment products will be CE marked as required by Directive 2011/65/EU. Components may not be CE marked. Additionally, the part numbers that TE has identified as EU ELV compliant have a maximum concentration of 0.1% by weight in homogenous materials for lead, hexavalent chromium, and mercury, and 0.01% for cadmium, or qualify for an exemption to these limits as defined in the Annexes of Directive 2000/53/EC (ELV). Regarding the REACH Regulation, the information TE provides on SVHC in articles for this part number is based on the latest European Chemicals Agency (ECHA) 'Guidance on requirements for substances in articles' posted at this URL: <https://echa.europa.eu/guidance-documents/guidance-on-reach>

Compatible Parts

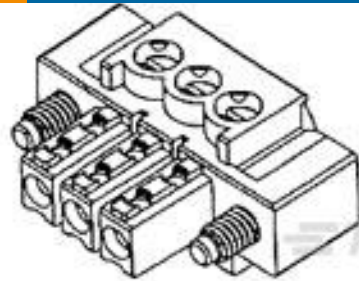


TE Part # 284510-8
8P TERMI-BLOK PLUG CON VITI



TE Part # 1776136-8
8P TERMI-BLOK,HIGH TEMP

Customers Also Bought



TE Part #284510-6
6P TERMI-BLOK PLUG CON VITI



TE Part #1-207119-0
METRIMATE PIN HDR ASY,4P LF



TE Part #5-146280-3
03 MODII HDR SRST B/A .100CL



TE Part #1775485-1
Battery Holder, 3.6mm, BLK,low profile



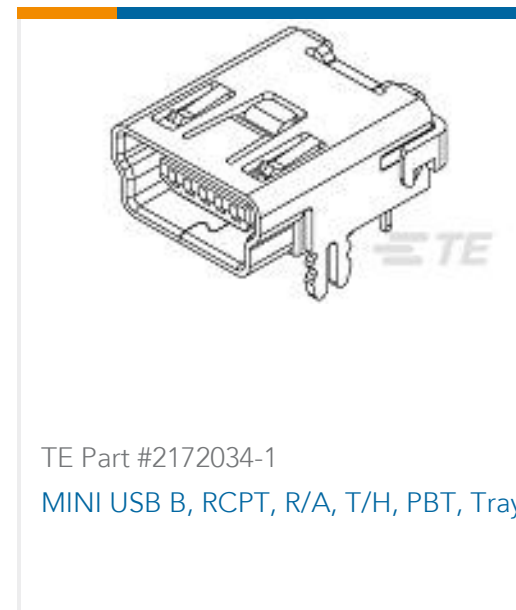
TE Part #2227303-1
CAGE ASSEMBLY, SFP, .140 SOLDE



TE Part #3-350944-0
04P UMNL HDR ASSY R/A 94VO



TE Part #1-207158-0
METRIMATE PIN HDR ASY,6P LF



TE Part #2172034-1
MINI USB B, RCPT, R/A, T/H, PBT, Tray



TE Part #9235-BCE-S-300-000
300PA DIFF. DIGITAL PRESSURE
SENSOR



TE Part #8-1393127-6
PRD-3DH0-24=PRD

Documents

Product Drawings

8 POS TERMI-BLOK 900 W.S.F. 3,

English

CAD Files

Customer View Model

[ENG_CVM_CVM_284539-8_B1.3d_stp.zip](#)

English

Customer View Model

[ENG_CVM_CVM_284539-8_B1.2d_dxf.zip](#)

English

3D PDF

3D

Customer View Model

[ENG_CVM_CVM_284539-8_B1.3d_igs.zip](#)

English

Customer View Model

[ENG_CVM_284539-8_B.2d_dxf.zip](#)

English

3D PDF

English

Customer View Model

[ENG_CVM_284539-8_B.3d_igs.zip](#)

English

Customer View Model

[ENG_CVM_284539-8_B.3d_stp.zip](#)

English



By downloading the CAD file I accept and agree to the [Terms and Conditions](#) of use.

Datasheets & Catalog Pages

[Eurostyle Terminal Blocks Focus Product Stock List](#)

English

[BUCHANAN TERMINAL BLOCKS CATALOG - EUROSTYLE TERMINAL BLOCKS](#)

English

[1-1773458-1_EURO_STYLE_TERMINAL_BLOCKS_ORG](#)

English

Product Specifications

[Application Specification](#)

English

Agency Approvals

[UL](#)

English