

284514-5 ✓ ACTIVE

Buchanan

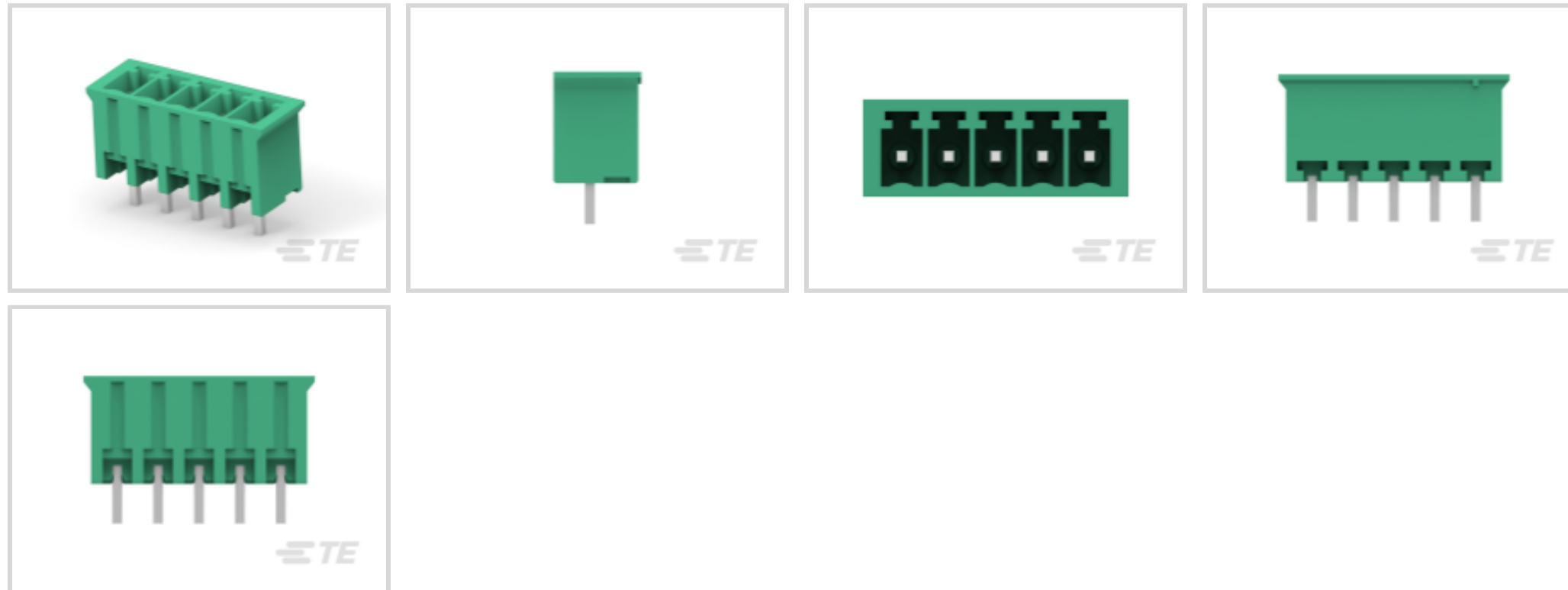
TE Internal #: 284514-5

PCB Terminal Blocks, Header, Wire-to-Board, 5 Position, .138 in [3.5 mm] Centerline, 1 Row, 30 – 14 AWG Wire Size, .05 – 2 mm<sup>2</sup> Wire Size

[View on TE.com >](#)



Connectors > Terminal Blocks & Strips > PCB Terminal Blocks



Terminal Block Connector Type: **Header**

Connector System: **Wire-to-Board**

Number of Positions: **5**

Centerline (Pitch): **3.5 mm [ .138 in ]**

Number of Rows: **1**

## Features

### Product Type Features

Header Type	Fully Shrouded
Terminal Block Connector Type	Header
Connector System	Wire-to-Board
Connector & Contact Terminates To	Printed Circuit Board

### Configuration Features

Number of Positions	5
Number of Rows	1

### Electrical Characteristics

Operating Voltage	300 VAC
-------------------	---------

### Body Features

Primary Product Color	Green
Product Orientation	Vertical

### Contact Features

--	--



Contact Mating Area Plating Material	Tin
Contact Base Material	Phosphor Bronze
Contact Current Rating (Max)	11 A

#### Termination Features

Termination Post & Tail Length	3.4 mm[.134 in]
Termination Method to Printed Circuit Board	Through Hole - Solder

#### Mechanical Attachment

Connector Mounting Type	Board Mount
-------------------------	-------------

#### Housing Features

Housing Material	PA 66
Centerline (Pitch)	3.5 mm[.138 in]

#### Dimensions

Wire Size	.05 – 2 mm <sup>2</sup>
-----------	-------------------------

#### Usage Conditions

Operating Temperature Range	-40 – 105 °C[-40 – 221 °F]
-----------------------------	----------------------------

#### Operation/Application

Circuit Application	Power & Signal
---------------------	----------------

#### Packaging Features

Packaging Quantity	150
Packaging Method	Box

#### Product Compliance

[For compliance documentation, visit the product page on TE.com>](#)

EU RoHS Directive 2011/65/EU	Compliant
EU ELV Directive 2000/53/EC	Compliant
China RoHS 2 Directive MIIT Order No 32, 2016	No Restricted Materials Above Threshold
EU REACH Regulation (EC) No. 1907/2006	Current ECHA Candidate List: JUNE 2023 (235) Candidate List Declared Against: JUNE 2022 (224) Does not contain REACH SVHC
Halogen Content	Low Halogen - Br, Cl, F, I < 900 ppm per homogenous material. Also BFR/CFR/PVC Free

Solder Process Capability

Wave solder capable to 240°C

Product Compliance Disclaimer

This information is provided based on reasonable inquiry of our suppliers and represents our current actual knowledge based on the information they provided. This information is subject to change. The part numbers that TE has identified as EU RoHS compliant have a maximum concentration of 0.1% by weight in homogenous materials for lead, hexavalent chromium, mercury, PBB, PBDE, DBP, BBP, DEHP, DIBP, and 0.01% for cadmium, or qualify for an exemption to these limits as defined in the Annexes of Directive 2011/65/EU (RoHS2). Finished electrical and electronic equipment products will be CE marked as required by Directive 2011/65/EU. Components may not be CE marked. Additionally, the part numbers that TE has identified as EU ELV compliant have a maximum concentration of 0.1% by weight in homogenous materials for lead, hexavalent chromium, and mercury, and 0.01% for cadmium, or qualify for an exemption to these limits as defined in the Annexes of Directive 2000/53/EC (ELV). Regarding the REACH Regulation, the information TE provides on SVHC in articles for this part number is based on the latest European Chemicals Agency (ECHA) 'Guidance on requirements for substances in articles' posted at this URL: <https://echa.europa.eu/guidance-documents/guidance-on-reach>

### Compatible Parts



TE Part # 284506-5  
5 POS TERMI-BLOK PLUG STACK 3,



TE Part # 1986370-5  
Str Plug, 3.5mm, Green, RH, 5



TE Part # 1986371-5  
Str Plug, 3.5mm, Green, LH, 5

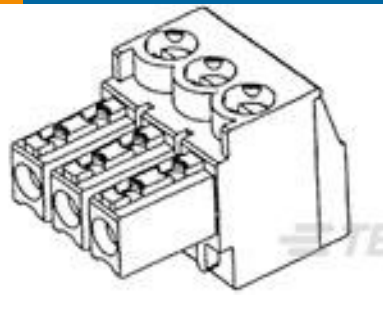


TE Part # 796694-5  
5 POS TERMI-BLOK HDR DIR. POL.

### Customers Also Bought



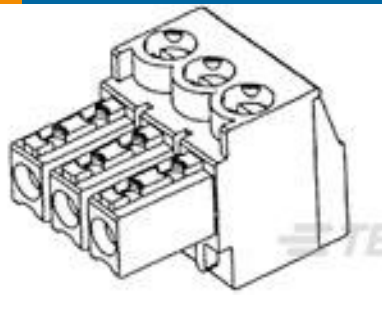
TE Part #NB-PTCO-058  
Pt100 RTD Thin Film Element



TE Part #284506-4  
4 POS TERMI-BLOK PLUG STACK 3,



TE Part #284514-2  
2 POS TERMI-BLOK HDR DIR. POL.



TE Part #284506-6  
6 POS TERMI-BLOK PLUG STACK 3,



TE Part #1532212-1  
M83513/01-DN, MCKS-N1-B-25PS



TE Part #284514-4  
4 POS TERMI-BLOK HDR DIR. POL.



TE Part #103308-6  
026 LOPRO HDR SP 15DP



TE Part #55823-1  
RBY PRO CRIMPER KIT

### Documents

[CAD Files](#)

[3D PDF](#)



3D

Customer View Model

[ENG\\_CVM\\_CVM\\_284514-5\\_C.2d\\_dxf.zip](#)

English

Customer View Model

[ENG\\_CVM\\_CVM\\_284514-5\\_C.3d\\_igs.zip](#)

English

Customer View Model

[ENG\\_CVM\\_CVM\\_284514-5\\_C.3d\\_stp.zip](#)

English

Customer View Model

[ENG\\_CVM\\_284514-5\\_C2.2d\\_dxf.zip](#)

English

3D PDF

English

Customer View Model

[ENG\\_CVM\\_284514-5\\_C2.3d\\_igs.zip](#)

English

Customer View Model

[ENG\\_CVM\\_284514-5\\_C2.3d\\_stp.zip](#)

English

By downloading the CAD file I accept and agree to the [Terms and Conditions](#) of use.

---

### Datasheets & Catalog Pages

[Eurostyle Terminal Blocks Focus Product Stock List](#)

English

[BUCHANAN TERMINAL BLOCKS CATALOG - EUROSTYLE TERMINAL BLOCKS](#)

English

[1-1773458-1\\_EURO\\_STYLE\\_TERMINAL\\_BLOCKS\\_QRG](#)

English

---

### Product Specifications

[Application Specification](#)

English

---

### Agency Approvals

[UL](#)

English