



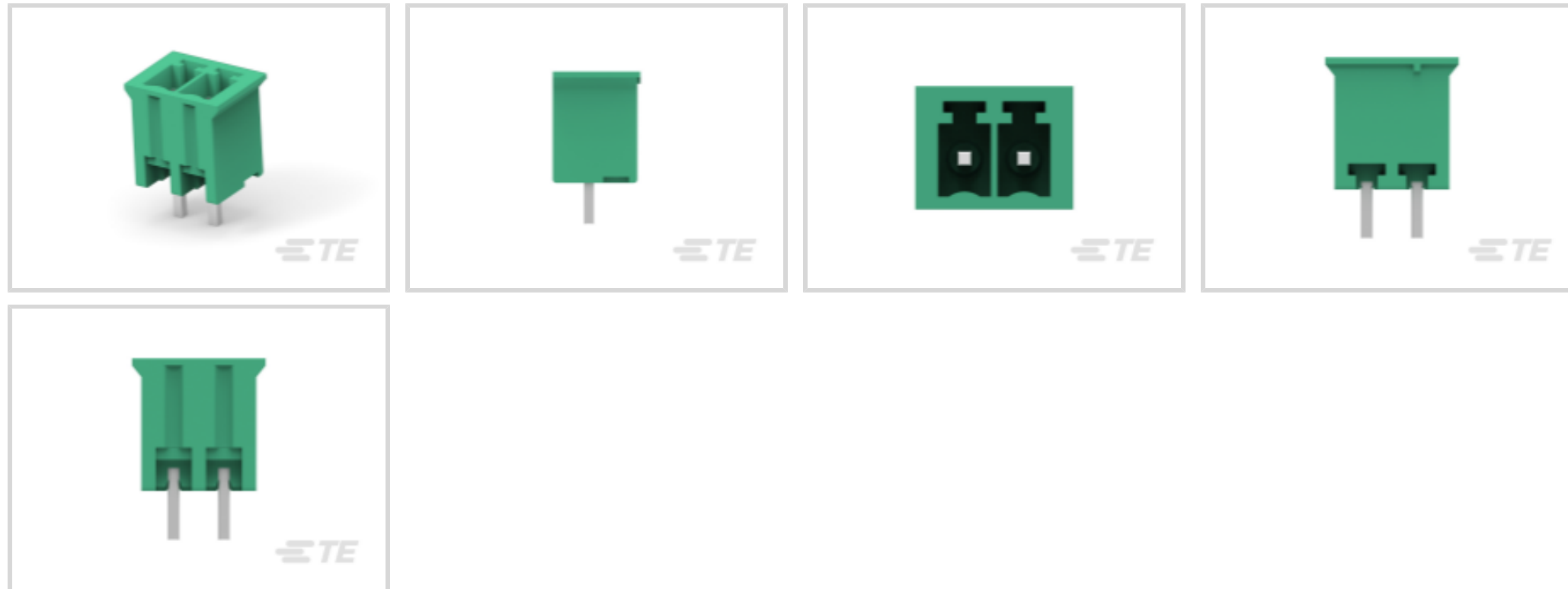
**Buchanan**

TE Internal #: 284514-2

PCB Terminal Blocks, Header, Wire-to-Board, 2 Position, .138 in [3.5 mm] Centerline, 1 Row, 30 – 14 AWG Wire Size, .05 – 2 mm<sup>2</sup> Wire Size

[View on TE.com >](#)

Connectors > Terminal Blocks & Strips > PCB Terminal Blocks



Terminal Block Connector Type: **Header**

Connector System: **Wire-to-Board**

Number of Positions: **2**

Centerline (Pitch): **3.5 mm [ .138 in ]**

Number of Rows: **1**

**Features**

**Product Type Features**

|                                   |                       |
|-----------------------------------|-----------------------|
| Header Type                       | Fully Shrouded        |
| Terminal Block Connector Type     | Header                |
| Connector System                  | Wire-to-Board         |
| Connector & Contact Terminates To | Printed Circuit Board |

**Configuration Features**

|                     |   |
|---------------------|---|
| Number of Positions | 2 |
| Number of Rows      | 1 |

**Electrical Characteristics**

|                   |         |
|-------------------|---------|
| Operating Voltage | 300 VAC |
|-------------------|---------|

**Body Features**

|                       |          |
|-----------------------|----------|
| Primary Product Color | Green    |
| Product Orientation   | Vertical |

**Contact Features**

|  |  |
|--|--|
|  |  |
|--|--|



|                                      |                 |
|--------------------------------------|-----------------|
| Contact Mating Area Plating Material | Tin             |
| Contact Base Material                | Phosphor Bronze |
| Contact Current Rating (Max)         | 11 A            |

#### Termination Features

|   |                       |
|---|-----------------------|
| Termination Post & Tail Length              | 3.4 mm[.134 in]       |
| Termination Method to Printed Circuit Board | Through Hole - Solder |

#### Mechanical Attachment

|                         |             |
|-------------------------|-------------|
| Connector Mounting Type | Board Mount |
|-------------------------|-------------|

#### Housing Features

|                    |                 |
|--------------------|-----------------|
| Housing Material   | PA 66           |
| Centerline (Pitch) | 3.5 mm[.138 in] |

#### Dimensions

|           |                         |
|-----------|-------------------------|
| Wire Size | .05 – 2 mm <sup>2</sup> |
|-----------|-------------------------|

#### Usage Conditions

|                             |                            |
|-----------------------------|----------------------------|
| Operating Temperature Range | -40 – 105 °C[-40 – 221 °F] |
|-----------------------------|----------------------------|

#### Operation/Application

|                     |                |
|---------------------|----------------|
| Circuit Application | Power & Signal |
|---------------------|----------------|

#### Packaging Features

|                    |        |
|--------------------|--------|
| Packaging Quantity | 300    |
| Packaging Method   | Carton |

#### Product Compliance

[For compliance documentation, visit the product page on TE.com>](#)

|   |   |
|---|---|
| EU RoHS Directive 2011/65/EU                  | Compliant   |
| EU ELV Directive 2000/53/EC                   | Compliant   |
| China RoHS 2 Directive MIIT Order No 32, 2016 | No Restricted Materials Above Threshold   |
| EU REACH Regulation (EC) No. 1907/2006        | Current ECHA Candidate List: JUNE 2023 (235)<br>Candidate List Declared Against: JUNE 2023 (235)<br>Does not contain REACH SVHC |
| Halogen Content                               | Low Halogen - Br, Cl, F, I < 900 ppm per homogenous material. Also BFR/CFR/PVC Free   |

Solder Process Capability

Wave solder capable to 240°C

Product Compliance Disclaimer

This information is provided based on reasonable inquiry of our suppliers and represents our current actual knowledge based on the information they provided. This information is subject to change. The part numbers that TE has identified as EU RoHS compliant have a maximum concentration of 0.1% by weight in homogenous materials for lead, hexavalent chromium, mercury, PBB, PBDE, DBP, BBP, DEHP, DIBP, and 0.01% for cadmium, or qualify for an exemption to these limits as defined in the Annexes of Directive 2011/65/EU (RoHS2). Finished electrical and electronic equipment products will be CE marked as required by Directive 2011/65/EU. Components may not be CE marked. Additionally, the part numbers that TE has identified as EU ELV compliant have a maximum concentration of 0.1% by weight in homogenous materials for lead, hexavalent chromium, and mercury, and 0.01% for cadmium, or qualify for an exemption to these limits as defined in the Annexes of Directive 2000/53/EC (ELV). Regarding the REACH Regulation, the information TE provides on SVHC in articles for this part number is based on the latest European Chemicals Agency (ECHA) 'Guidance on requirements for substances in articles' posted at this URL: <https://echa.europa.eu/guidance-documents/guidance-on-reach>

### Compatible Parts



TE Part # 284506-2  
2 POS TERMI-BLOK PLUG STACK 3,



TE Part # 1986371-2  
Str Plug, 3.5mm, Green, LH, 2



TE Part # 796694-2  
2 POS TERMI-BLOK HDR DIR. POL.



TE Part # 1986370-2  
Str Plug, 3.5mm, Green, RH, 2

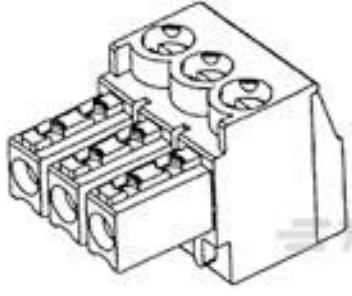
### Customers Also Bought



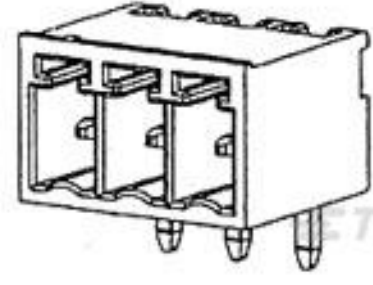
TE Part #7-1415899-7  
RZ03-1C4-D012-R



TE Part #6-1423008-6  
T92HP7D1X-12



TE Part #284506-3  
3 POS TERMI-BLOK PLUG STACK 3,



TE Part #284512-4  
4 POS TERMI-BLOK HDR 900 POLAR



TE Part #284514-5  
5 POS TERMI-BLOK HDR DIR. POL.



TE Part #3-1825136-7  
A101SD9V30Q04



TE Part #1625888-2  
2W STD M/OX 5% 180R



TE Part #8-2176412-8  
5W XSM M/OX 5% 22K



## Documents

### Product Drawings

[2 POS TERMI-BLOK HDR DIR. POL.](#)

English

### CAD Files

[3D PDF](#)

3D

Customer View Model

[ENG\\_CVM\\_CVM\\_284514-2\\_C.2d\\_dxf.zip](#)

English

Customer View Model

[ENG\\_CVM\\_CVM\\_284514-2\\_C.3d\\_igs.zip](#)

English

Customer View Model

[ENG\\_CVM\\_CVM\\_284514-2\\_C.3d\\_stp.zip](#)

English

[3D PDF](#)

English

Customer View Model

[ENG\\_CVM\\_284514-2\\_C2.3d\\_igs.zip](#)

English

Customer View Model

[ENG\\_CVM\\_284514-2\\_C2.3d\\_stp.zip](#)

English

Customer View Model

[ENG\\_CVM\\_284514-2\\_C2.2d\\_dxf.zip](#)

English

By downloading the CAD file I accept and agree to the [Terms and Conditions](#) of use.

### Datasheets & Catalog Pages

[Eurostyle Terminal Blocks Focus Product Stock List](#)

English

[BUCHANAN TERMINAL BLOCKS CATALOG - EUROSTYLE TERMINAL BLOCKS](#)

English

[1-1773458-1\\_EURO\\_STYLE\\_TERMINAL\\_BLOCKS\\_QRG](#)



English

---

**Product Specifications**

**Application Specification**

English

---

**Agency Approvals**

**UL**

English