



AMP | Timer Connector System

TE Internal #: 284098-1

Housing for Female Terminals, Wire-to-Wire, 3 Position, .362 in [9.2 mm] Centerline, Natural, Wire & Cable, Power, Timer Connector System

[View on TE.com >](#)

Connectors > Automotive Connectors > Automotive Housings > Timer Connector Housing



Connector System: **Wire-to-Wire**

Number of Positions: **3**

Connector & Housing Type: **Housing for Female Terminals**

Centerline (Pitch): **9.2 mm [.362 in]**

Sealable: **No**

[All Timer Connector Housing \(585\)](#)

Features

Product Type Features

Mixed & Hybrid Connector	No
Connector Shape	Rectangular
Connector System	Wire-to-Wire
Connector & Housing Type	Housing for Female Terminals
Sealable	No
Connector & Contact Terminates To	Wire & Cable
Primary Locking Feature	On the Terminal

Configuration Features

Number of Positions	3
Number of Rows	1

Electrical Characteristics

Operating Voltage	24 VDC
-------------------	--------



Nominal Voltage Architecture	24 V
------------------------------	------

Body Features

Cable Exit Angle	180°
------------------	------

Primary Product Color	Natural
-----------------------	---------

Contact Features

Contact Size	2.8mm, 6.3mm
--------------	--------------

Contact Type	Receptacle
--------------	------------

Mating Tab Width	2.8 mm, 6.3 mm [.11 in][.248 in]
------------------	----------------------------------

Contact Current Rating (Max)	30 A
------------------------------	------

Mechanical Attachment

Terminal Position Assurance	No
-----------------------------	----

Strain Relief	Without
---------------	---------

Mating Alignment Type	Polarized
-----------------------	-----------

Mating Alignment	With
------------------	------

Connector Mounting Type	Cable Mount (Free-Hanging)
-------------------------	----------------------------

Housing Features

Housing Material	PA
------------------	----

Centerline (Pitch)	9.2 mm [.362 in]
--------------------	------------------

Dimensions

Connector Height	26.1 mm [1.028 in]
------------------	--------------------

Product Width	8.5 mm [.335 in]
---------------	------------------

Product Length	37 mm [1.457 in]
----------------	------------------

Usage Conditions

Operating Temperature (Max)	70 °C, 75 °C, 80 °C, 85 °C, 90 °C, 100 °C, 105 °C [158 °F][167 °F][176 °F][185 °F][194 °F] [212 °F][221 °F]
-----------------------------	---

Operating Temperature Range	-30 – 105 °C [-22 – 221 °F]
-----------------------------	-----------------------------

Operation/Application

Circuit Application	Power
---------------------	-------

Packaging Features

Packaging Method	Box
------------------	-----

Other



Serviceable	No
Connector Position Assurance Capable	No

Product Compliance

[For compliance documentation, visit the product page on TE.com>](#)

EU RoHS Directive 2011/65/EU	Compliant
EU ELV Directive 2000/53/EC	Compliant
China RoHS 2 Directive MIIT Order No 32, 2016	No Restricted Materials Above Threshold
EU REACH Regulation (EC) No. 1907/2006	Current ECHA Candidate List: JUNE 2023 (235) Candidate List Declared Against: JUNE 2023 (235) Does not contain REACH SVHC
Halogen Content	Low Halogen - Br, Cl, F, I < 900 ppm per homogenous material. Also BFR/CFR/PVC Free
Solder Process Capability	Not applicable for solder process capability

Product Compliance Disclaimer

This information is provided based on reasonable inquiry of our suppliers and represents our current actual knowledge based on the information they provided. This information is subject to change. The part numbers that TE has identified as EU RoHS compliant have a maximum concentration of 0.1% by weight in homogenous materials for lead, hexavalent chromium, mercury, PBB, PBDE, DBP, BBP, DEHP, DIBP, and 0.01% for cadmium, or qualify for an exemption to these limits as defined in the Annexes of Directive 2011/65/EU (RoHS2). Finished electrical and electronic equipment products will be CE marked as required by Directive 2011/65/EU. Components may not be CE marked. Additionally, the part numbers that TE has identified as EU ELV compliant have a maximum concentration of 0.1% by weight in homogenous materials for lead, hexavalent chromium, and mercury, and 0.01% for cadmium, or qualify for an exemption to these limits as defined in the Annexes of Directive 2000/53/EC (ELV). Regarding the REACH Regulation, the information TE provides on SVHC in articles for this part number is based on the latest European Chemicals Agency (ECHA) 'Guidance on requirements for substances in articles' posted at this URL: <https://echa.europa.eu/guidance-documents/guidance-on-reach>

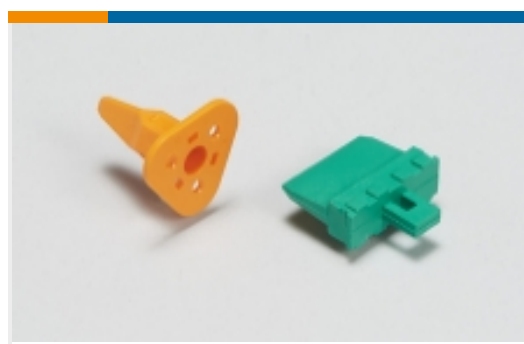
Compatible Parts



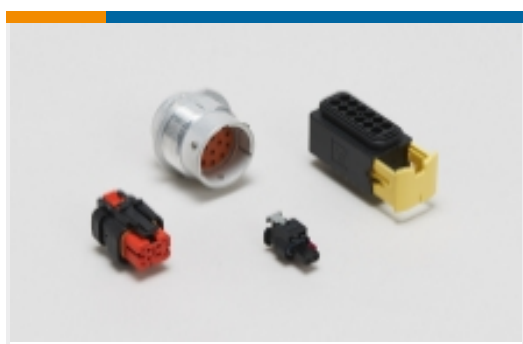
Also in the Series | [Timer Connector System](#)



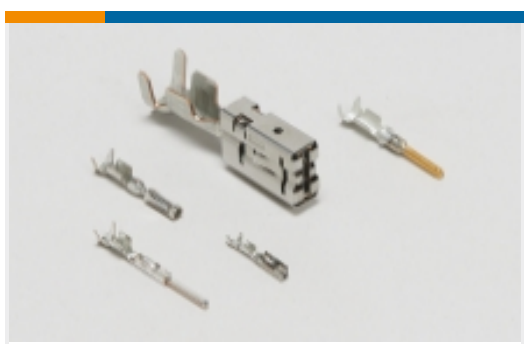
Automotive Connector Caps & Covers (12)



Automotive Connector Locks & Position Assurance(17)



Automotive Housings(233)



Automotive Terminals(145)



Connector Seals & Cavity Plugs(32)



Crimp Terminal Housings(13)



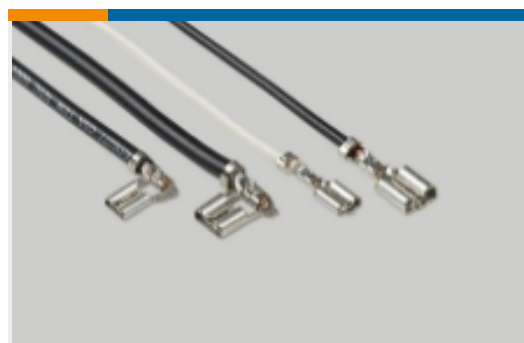
Insertion & Extraction Tools(18)



Other Automotive Connector Accessories(1)

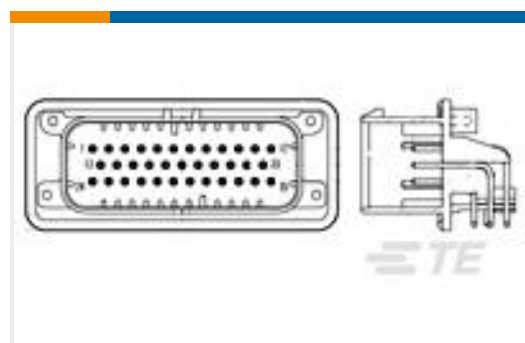


PCB Headers & Receptacles(82)



Quick Disconnects(4)

Customers Also Bought



TE Part #776163-5
35POS,PIN DIA 1.3,HDR ASSY,90DEG, COD 5



TE Part #794617-6
6POS,MICRO MNL,RCPT HSG



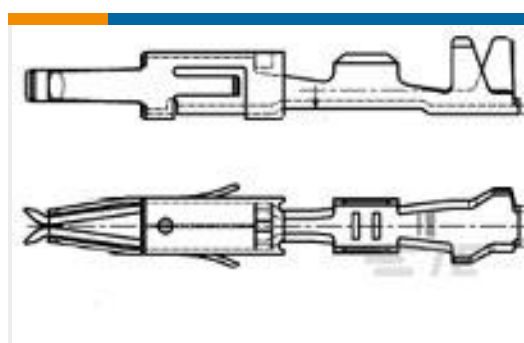
TE Part #794617-4
4POS,MICRO MNL,RCPT HSG



TE Part #3-794638-6
06P MICRO MNL ASSY,VRT,SMT,LF



TE Part #794606-1
MICRO MNL RPT CNT STRIP 20-24



TE Part #962875-2
MT2 REC 1.6 Contact SWS Sn



TE Part #5-1418760-1
MCON 1.2 LL TAB STC SN



TE Part #284853-1
12 POS FEMALE CONNECTOR ASSY



Documents

Product Drawings

3P.CONNECTOR FOR IGNITION KEY

English

CAD Files

3D PDF

3D

Customer View Model

[ENG_CVM_CVM_284098-1_A.2d_dxf.zip](#)

English

Customer View Model

[ENG_CVM_CVM_284098-1_A.3d_igs.zip](#)

English

Customer View Model

[ENG_CVM_CVM_284098-1_A.3d_stp.zip](#)

English

By downloading the CAD file I accept and agree to the [Terms and Conditions](#) of use.

Datasheets & Catalog Pages

Timer Interconnection System

English

Product Specifications

3&4 POS. CONNECTORS FOR IGNITION KEY

English