



TE Internal #: 2837822-1
 Applicators, Mechanical Feed, OCEAN, Male Adapter Post - Atlantic Style Interface, 40 mm (1.62") Stroke Terminator / 30 mm (1.12") Stroke Terminator

[View on TE.com >](#)

Application Tooling > Applicators



Applicator Feed Type: **Mechanical**

Applicator & Product Style: **OCEAN**

Application Interface: **Male Adapter Post - Atlantic Style**

Terminator Type: **30 mm (1.12") Stroke Terminator, 40 mm (1.62") Stroke Terminator**

Wire Crimp Width: **1.57 mm [.062 in]**

Features

Contact Features

Crimp Type	F-Crimp
------------	---------

Dimensions

Wire Crimp Width	1.57 mm[.062 in]
Insulation Diameter Range	1.09 – 1.6 mm[.043 – .063 in]

Other

Applicator Feed Type	Mechanical
Applicator & Product Style	OCEAN
Application Interface	Male Adapter Post - Atlantic Style
Terminator Type	30 mm (1.12") Stroke Terminator, 40 mm (1.62") Stroke Terminator
Service Options	Capability Study, Crimped Samples, Cross Section - Photograph
Alignment Aids	Alignment Gauge, Camera

Product Compliance

[For compliance documentation, visit the product page on TE.com>](#)

EU RoHS Directive 2011/65/EU	Out of Scope
EU ELV Directive 2000/53/EC	Out of Scope
China RoHS 2 Directive MIIT Order No 32, 2016	No Restricted Materials Above Threshold



EU REACH Regulation (EC) No. 1907/2006

Current ECHA Candidate List: JUNE 2023 (235)

Candidate List Declared Against: JAN 2022 (223)

Does not contain REACH SVHC

Halogen Content

Low Halogen - Br, Cl, F, I < 900 ppm per homogenous material. Also BFR/CFR/PVC Free

Solder Process Capability

Not applicable for solder process capability

Product Compliance Disclaimer

This information is provided based on reasonable inquiry of our suppliers and represents our current actual knowledge based on the information they provided. This information is subject to change. The part numbers that TE has identified as EU RoHS compliant have a maximum concentration of 0.1% by weight in homogenous materials for lead, hexavalent chromium, mercury, PBB, PBDE, DBP, BBP, DEHP, DIBP, and 0.01% for cadmium, or qualify for an exemption to these limits as defined in the Annexes of Directive 2011/65/EU (RoHS2). Finished electrical and electronic equipment products will be CE marked as required by Directive 2011/65/EU. Components may not be CE marked. Additionally, the part numbers that TE has identified as EU ELV compliant have a maximum concentration of 0.1% by weight in homogenous materials for lead, hexavalent chromium, and mercury, and 0.01% for cadmium, or qualify for an exemption to these limits as defined in the Annexes of Directive 2000/53/EC (ELV). Regarding the REACH Regulation, the information TE provides on SVHC in articles for this part number is based on the latest European Chemicals Agency (ECHA) 'Guidance on requirements for substances in articles' posted at this URL: <https://echa.europa.eu/guidance-documents/guidance-on-reach>

Compatible Parts

TE Part # CAT-AM78-T273
AMPSEAL Crimp Contacts: 1.3 mm

TE Part # 1803095-6
FLOATING SHEAR, FRONT

TE Part # 2119806-1
INSERT, SHEAR

TE Part # 1-456403-3
CRIMPER WIRE .062 F

TE Part # 1633965-4
CRIMPER, INSUL O PREMIUM

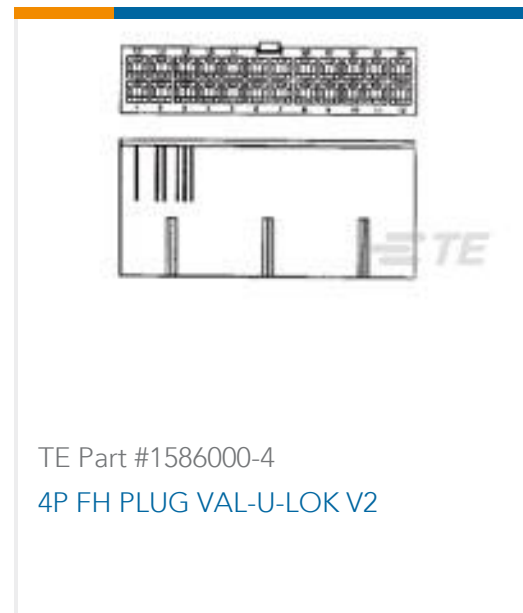
TE Part # 6-1803514-9
ANVIL, COMBINATION

TE Part # 7-2837822-7
OCEAN_2.0_SPARE_PART_KIT-062F091O

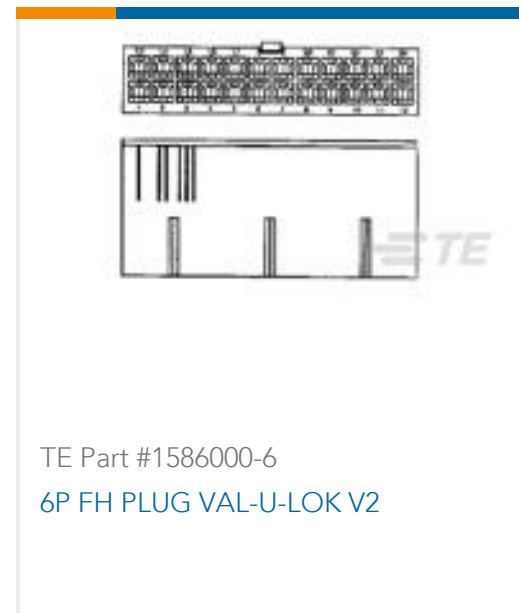
Customers Also Bought



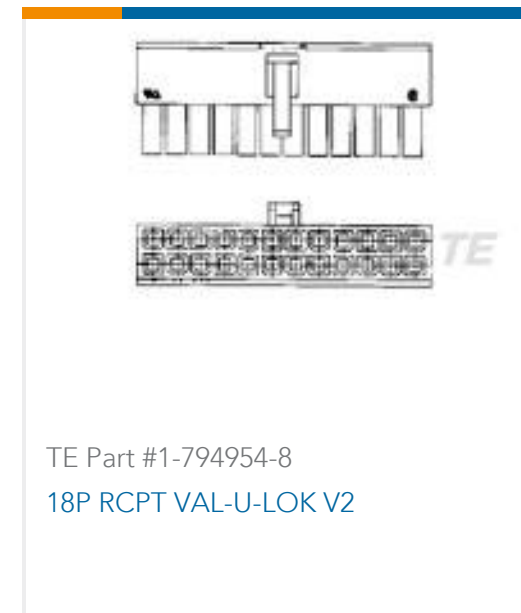
TE Part #DT04-6P-CE01
REC, 6P, GRY, E, CAP



TE Part #1586000-4
4P FH PLUG VAL-U-LOK V2



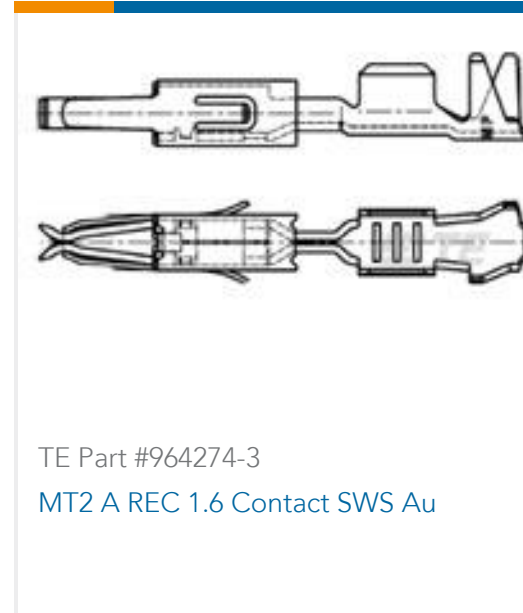
TE Part #1586000-6
6P FH PLUG VAL-U-LOK V2



TE Part #1-794954-8
18P RCPT VAL-U-LOK V2



TE Part #1445957-4
HSG SUB ASY, GREEN



TE Part #964274-3
MT2 A REC 1.6 Contact SWS Au



TE Part #7-2151855-7
OCEAN_2.0_SPARE_PART_KIT-080F1450



TE Part #2151036-1
OCEAN_2.0_APPLICATOR-S-055F1250



TE Part #2151541-1
OCEAN_2.0_APPLICATOR-S-050F0720



TE Part #7-2151036-7
OCEAN_2.0_SPARE_PART_KIT-055F0720

Documents

Product Drawings

[OCEAN-2.0-APPLICATOR-S-062F0910](#)

English

Datasheets & Catalog Pages

[TE_APPLICATORS_CATALOG](#)

English

Instruction Sheets

[Instruction Sheet \(U.S.\)](#)

English

[Instruction Sheet \(U.S.\)](#)

English