

2834054-4 ✓ ACTIVE

LIGHT-N-LOK | LIGHT-N-LOK Ballast Connector

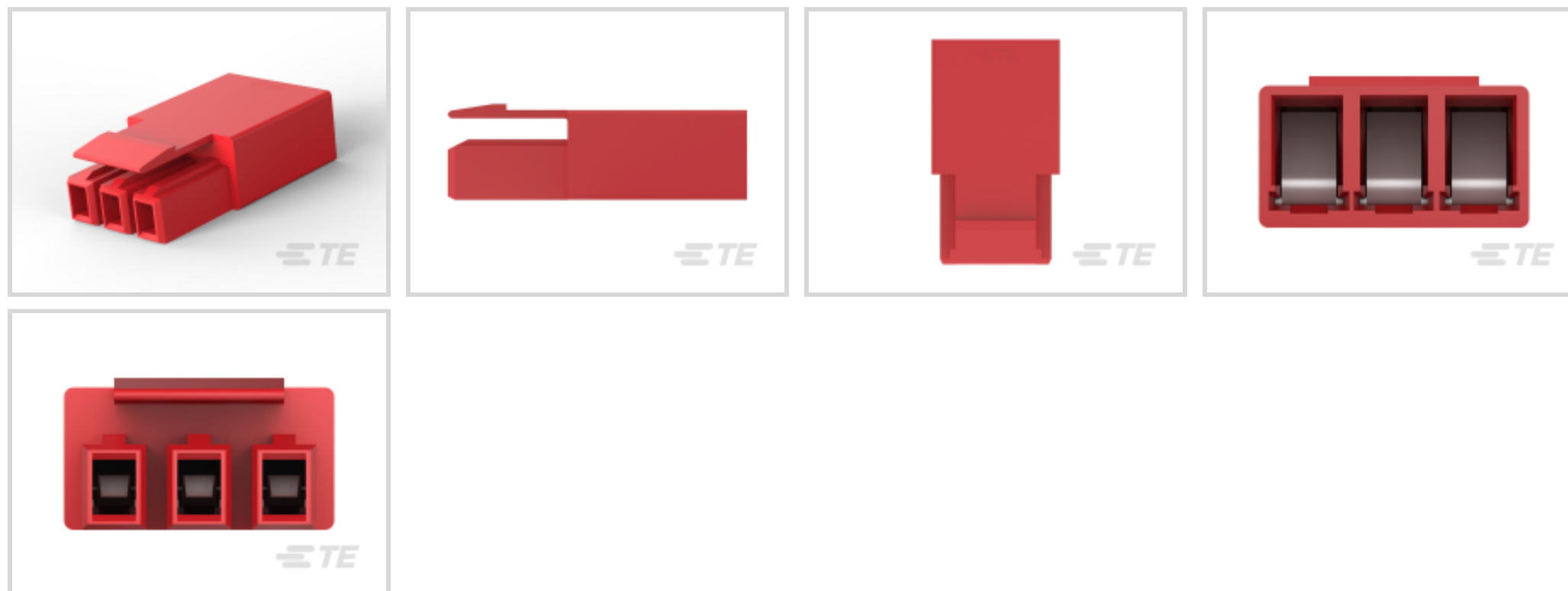
TE Internal #: 2834054-4

Ballast Connectors, Connector, Poke-In, Wire-to-Wire, 3 Position, 4.5 mm Centerline, Wire & Cable, LIGHT-N-LOK Ballast Connector

[View on TE.com >](#)



Connectors > Lighting Connectors > Ballast Connectors > LIGHT-N-LOK Modular Latched Plugs



Lighting Product Type: **Connector**

Termination Method to Wire & Cable: **Poke-In**

Connector System: **Wire-to-Wire**

Number of Positions: **3**

Centerline (Pitch): **4.5 mm**

[All LIGHT-N-LOK Modular Latched Plugs \(8\)](#)

Features

Product Type Features

Lighting Product Type	Connector
Connector System	Wire-to-Wire
Sealable	No
Connector & Contact Terminates To	Wire & Cable

Configuration Features

Number of Rows	1
Number of Positions	3

Electrical Characteristics

Operating Voltage (Max)	600 VAC
-------------------------	---------

Body Features

Primary Product Color	Natural
-----------------------	---------

Contact Features

Contact Current Rating (Max)	9 A
------------------------------	-----



Termination Features

Termination Method to Wire & Cable	Poke-In
------------------------------------	---------

Mechanical Attachment

Mating Alignment	With
------------------	------

Housing Features

Centerline (Pitch)	4.5 mm
--------------------	--------

Dimensions

Wire Size	16 – 22 AWG
-----------	-------------

Usage Conditions

Operating Temperature Range	-40 – 105 °C
-----------------------------	--------------

Industry Standards

Approved Standards	UL 1977
UL Flammability Rating	UL 94V-0

Packaging Features

Packaging Quantity	500
Packaging Method	Loose Piece

Product Compliance

[For compliance documentation, visit the product page on TE.com>](#)

EU RoHS Directive 2011/65/EU	Compliant
EU ELV Directive 2000/53/EC	Compliant
China RoHS 2 Directive MIIT Order No 32, 2016	No Restricted Materials Above Threshold
EU REACH Regulation (EC) No. 1907/2006	Current ECHA Candidate List: JUNE 2023 (235) Candidate List Declared Against: JUNE 2023 (235) Does not contain REACH SVHC
Halogen Content	Low Halogen - Br, Cl, F, I < 900 ppm per homogenous material. Also BFR/CFR/PVC Free
Solder Process Capability	Not applicable for solder process capability

Product Compliance Disclaimer

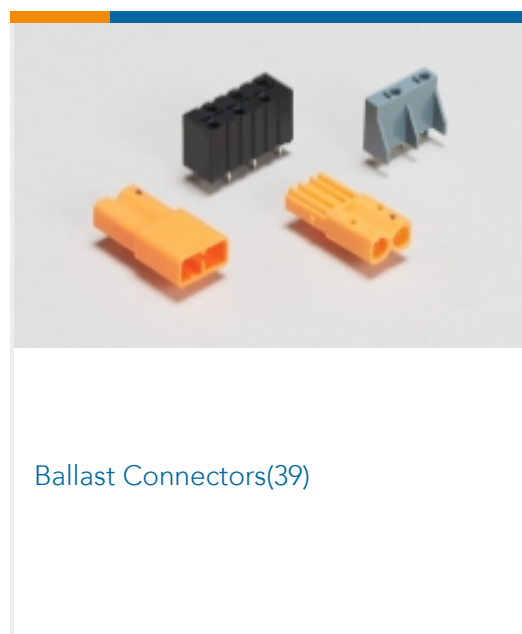
This information is provided based on reasonable inquiry of our suppliers and represents our current actual knowledge based on the information they provided. This information is subject to change. The part numbers that TE has identified as

EU RoHS compliant have a maximum concentration of 0.1% by weight in homogenous materials for lead, hexavalent chromium, mercury, PBB, PBDE, DBP, BBP, DEHP, DIBP, and 0.01% for cadmium, or qualify for an exemption to these limits as defined in the Annexes of Directive 2011/65/EU (RoHS2). Finished electrical and electronic equipment products will be CE marked as required by Directive 2011/65/EU. Components may not be CE marked. Additionally, the part numbers that TE has identified as EU ELV compliant have a maximum concentration of 0.1% by weight in homogenous materials for lead, hexavalent chromium, and mercury, and 0.01% for cadmium, or qualify for an exemption to these limits as defined in the Annexes of Directive 2000/53/EC (ELV). Regarding the REACH Regulation, the information TE provides on SVHC in articles for this part number is based on the latest European Chemicals Agency (ECHA) 'Guidance on requirements for substances in articles' posted at this URL: <https://echa.europa.eu/guidance-documents/guidance-on-reach>

Compatible Parts

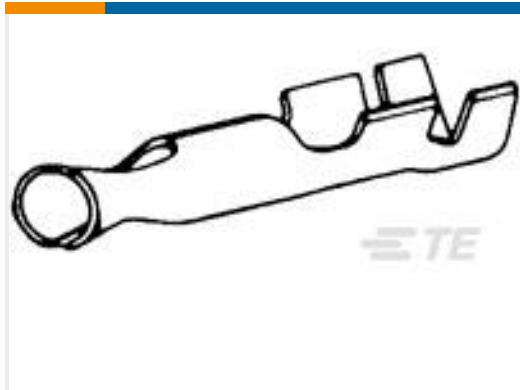


Also in the Series | LIGHT-N-LOK Ballast Connector

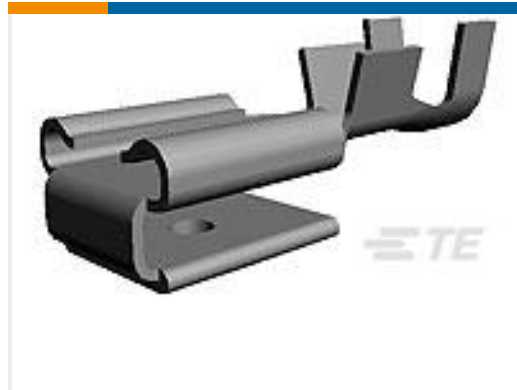


Customers Also Bought





TE Part #42428-5
PIN TERMINAL RECEPTACLE 24-20
AWG TPPHBZ



TE Part #61988-1
250 FASTON REC 22-18 AWG BR



TE Part #2213362-4
RCPT ASSY, DIMMABLE
PHOTOCONTROL, 105C, 3/4



TE Part #1742906-1
GROUNDING CLIP 18-14 020 SST

Documents

Product Drawings

[PLUG, 3P LATCHED POKE-IN WTW CONN.RD](#)

English

CAD Files

[3D PDF](#)

3D

Customer View Model

[ENG_CVM_CVM_2834054-4_A.2d_dxf.zip](#)

English

Customer View Model

[ENG_CVM_CVM_2834054-4_A.3d_igs.zip](#)

English

Customer View Model

[ENG_CVM_CVM_2834054-4_A.3d_stp.zip](#)

English

By downloading the CAD file I accept and agree to the [Terms and Conditions](#) of use.

Datasheets & Catalog Pages

[3 Position LIGHT-N-LOK Connector](#)

English

[LIGHT-N-LOK Brochure](#)

English

[3P Latched W2W Connector \(Chinese\)](#)

English

Product Specifications

[Application Specification](#)

English

Instruction Sheets

[Instruction Sheet \(non U.S.\)](#)

English

Agency Approvals

[LIGHT-N-LOK CB Test Certificate to IEC 61984](#)



English

[LIGHT-N-LOK CB Test Report to IEC 61984](#)

English