



**Buchanan WireMate**

TE Internal #: 2834010-3

Poke-In Connectors, Wire-to-Board, Printed Circuit Board, Height .

096 in [2.45 mm], Surface Mount, 2 – 24 AWG Wire Size

[View on TE.com >](#)

Connectors > Lighting Connectors > Poke-In Connectors



Connector System: **Wire-to-Board**

Connector & Contact Terminates To: **Printed Circuit Board**

Connector Height: **2.45 mm [ .096 in ]**

Termination Method to Printed Circuit Board: **Surface Mount**

Wire Size: **2 – 24 AWG**

**Features**

**Product Type Features**

Product Line	Poke-In
Connector System	Wire-to-Board
Connector & Contact Terminates To	Printed Circuit Board

**Electrical Characteristics**

Operating Voltage	300 VAC
-------------------	---------

**Body Features**

Primary Product Color	Natural
-----------------------	---------

**Contact Features**

PCB Contact Termination Area Plating Material Finish	Matte
Contact Underplating Material	Nickel
PCB Contact Termination Area Plating Material	Tin-Lead

**Termination Features**

Termination Method to Printed Circuit Board	Surface Mount
---	---------------

**Dimensions**



Compatible Insulation Diameter Range	1.7 mm
Connector Height	2.45 mm[.096 in]
Wire Size	2 – 24 AWG

### Industry Standards

Agency/Standard	UL
Approved Standards	UL 1977, UL E28476
UL Flammability Rating	UL 94V-0

### Packaging Features

Packaging Method	Tape & Reel
------------------	-------------

### Product Compliance

[For compliance documentation, visit the product page on TE.com>](#)

EU RoHS Directive 2011/65/EU	Compliant
EU ELV Directive 2000/53/EC	Compliant
China RoHS 2 Directive MIIT Order No 32, 2016	No Restricted Materials Above Threshold
EU REACH Regulation (EC) No. 1907/2006	Current ECHA Candidate List: JUNE 2023 (235) Candidate List Declared Against: JUNE 2023 (235) Does not contain REACH SVHC
Halogen Content	Low Halogen - Br, Cl, F, I < 900 ppm per homogenous material. Also BFR/CFR/PVC Free
Solder Process Capability	Reflow solder capable to 245°C

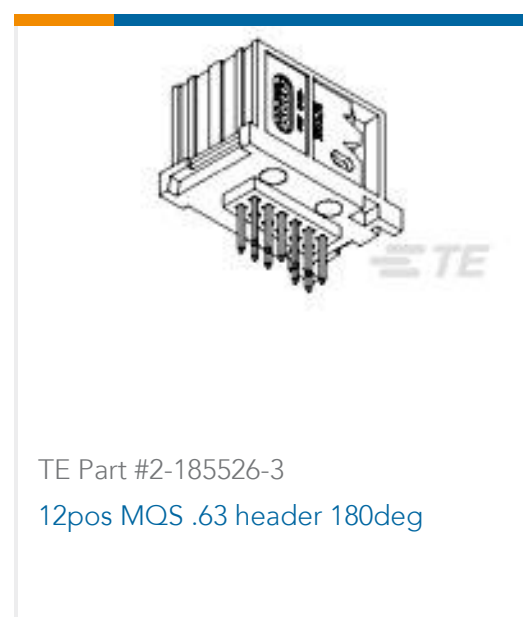
#### Product Compliance Disclaimer

This information is provided based on reasonable inquiry of our suppliers and represents our current actual knowledge based on the information they provided. This information is subject to change. The part numbers that TE has identified as EU RoHS compliant have a maximum concentration of 0.1% by weight in homogenous materials for lead, hexavalent chromium, mercury, PBB, PBDE, DBP, BBP, DEHP, DIBP, and 0.01% for cadmium, or qualify for an exemption to these limits as defined in the Annexes of Directive 2011/65/EU (RoHS2). Finished electrical and electronic equipment products will be CE marked as required by Directive 2011/65/EU. Components may not be CE marked. Additionally, the part numbers that TE has identified as EU ELV compliant have a maximum concentration of 0.1% by weight in homogenous materials for lead, hexavalent chromium, and mercury, and 0.01% for cadmium, or qualify for an exemption to these limits as defined in the Annexes of Directive 2000/53/EC (ELV). Regarding the REACH Regulation, the information TE provides on SVHC in articles for this part number is based on the latest European Chemicals Agency (ECHA) 'Guidance on requirements for substances in articles' posted at this URL: <https://echa.europa.eu/guidance-documents/guidance-on-reach>

### Compatible Parts



## Customers Also Bought



## Documents

### Product Drawings

[SLIM CONTACT FOR WIRE 20-24AWG](#)

English

### CAD Files

[3D PDF](#)

3D

[Customer View Model](#)

[ENG\\_CVM\\_CVM\\_2834010-3\\_A.2d\\_dxf.zip](#)



English

**Customer View Model**

[ENG\\_CVM\\_CVM\\_2834010-3\\_A.3d\\_igs.zip](#)

English

**Customer View Model**

[ENG\\_CVM\\_CVM\\_2834010-3\\_A.3d\\_stp.zip](#)

English

By downloading the CAD file I accept and agree to the [Terms and Conditions](#) of use.

---

**Datasheets & Catalog Pages**

**Slim Wire-to-Board flyer**

English

**Slim Wire-to-Board flyer**

English

**BUCHANAN WireMate Connectors Brochure**

**BUCHANAN WireMate Connectors Brochure**

English

---

**Product Specifications**

**Application Specification**

English

---

**Product Environmental Compliance**

**MD\_2834010-3\_06072016119\_dmtec**

English

**MD\_2834010-3\_06072016119\_dmtec**

English

---

**Instruction Sheets**

**Instruction Sheet (non U.S.)**

English

---

**Agency Approvals**

**UL Report**

English