

282825-7 ✓ ACTIVE

Buchanan

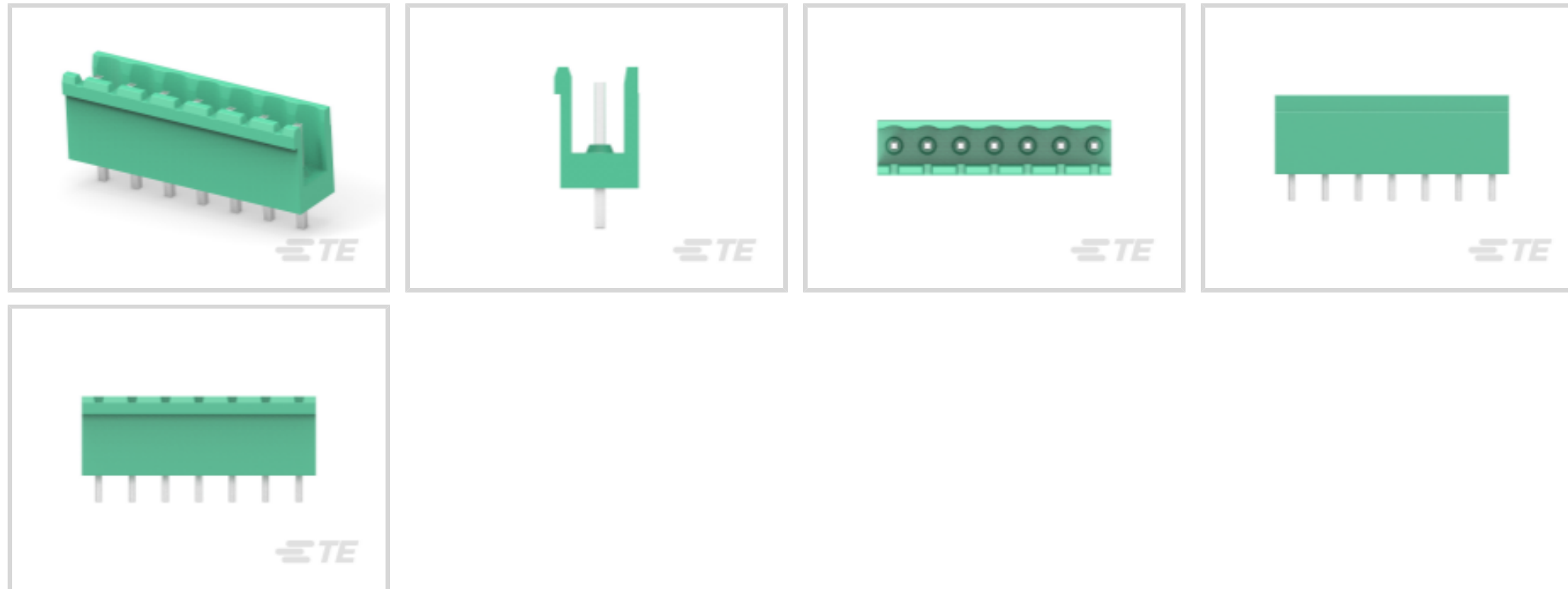
TE Internal #: 282825-7

PCB Terminal Blocks, Header, Wire-to-Board, 7 Position, .2 in [5.08 mm] Centerline, 1 Row, Operating Voltage 300 VAC, Printed Circuit Board

[View on TE.com >](#)



Connectors > Terminal Blocks & Strips > PCB Terminal Blocks



Terminal Block Connector Type: **Header**

Connector System: **Wire-to-Board**

Number of Positions: 7

Centerline (Pitch): 5.08 mm [.2 in]

Number of Rows: 1

## Features

### Product Type Features

Header Type	Partially Shrouded
Terminal Block Connector Type	Header
Connector System	Wire-to-Board
Connector & Contact Terminates To	Printed Circuit Board

### Configuration Features

Stacking Configuration	Side Stackable
Number of Positions	7
Number of Rows	1

### Electrical Characteristics

Operating Voltage	300 VAC
-------------------	---------

### Body Features

Primary Product Color	Green
Product Orientation	Vertical



### Contact Features

Contact Mating Area Plating Material	Tin
Contact Base Material	Copper Magnesium
Contact Current Rating (Max)	15 A

### Termination Features

Termination Post & Tail Length	3.5 mm[.138 in]
Termination Method to Printed Circuit Board	Through Hole - Solder

### Mechanical Attachment

Connector Mounting Type	Board Mount
-------------------------	-------------

### Housing Features

Housing Material	PA 66
Centerline (Pitch)	5.08 mm[.2 in]

### Usage Conditions

Operating Temperature Range	-40 – 105 °C[-40 – 221 °F]
-----------------------------	----------------------------

### Operation/Application

Circuit Application	Power & Signal
---------------------	----------------

### Packaging Features

Packaging Quantity	100
Packaging Method	Box

### Product Compliance

[For compliance documentation, visit the product page on TE.com>](#)

EU RoHS Directive 2011/65/EU	Compliant
EU ELV Directive 2000/53/EC	Compliant
China RoHS 2 Directive MIIT Order No 32, 2016	No Restricted Materials Above Threshold
EU REACH Regulation (EC) No. 1907/2006	Current ECHA Candidate List: JUNE 2023 (235) Candidate List Declared Against: JUNE 2022 (224) SVHC > Threshold: Pb (.8% in Component Part) <b>Article Safe Usage Statements:</b> Do not eat, drink or smoke when using this product. Wash thoroughly after handling. Recycle if possible and dispose of the article by following all applicable governmental regulations relevant to your geographic location.
Halogen Content	Not Yet Reviewed for halogen content



Solder Process Capability

Wave solder capable to 240°C

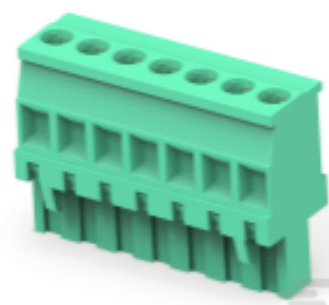
Product Compliance Disclaimer

This information is provided based on reasonable inquiry of our suppliers and represents our current actual knowledge based on the information they provided. This information is subject to change. The part numbers that TE has identified as EU RoHS compliant have a maximum concentration of 0.1% by weight in homogenous materials for lead, hexavalent chromium, mercury, PBB, PBDE, DBP, BBP, DEHP, DIBP, and 0.01% for cadmium, or qualify for an exemption to these limits as defined in the Annexes of Directive 2011/65/EU (RoHS2). Finished electrical and electronic equipment products will be CE marked as required by Directive 2011/65/EU. Components may not be CE marked. Additionally, the part numbers that TE has identified as EU ELV compliant have a maximum concentration of 0.1% by weight in homogenous materials for lead, hexavalent chromium, and mercury, and 0.01% for cadmium, or qualify for an exemption to these limits as defined in the Annexes of Directive 2000/53/EC (ELV). Regarding the REACH Regulation, the information TE provides on SVHC in articles for this part number is based on the latest European Chemicals Agency (ECHA) 'Guidance on requirements for substances in articles' posted at this URL: <https://echa.europa.eu/guidance-documents/guidance-on-reach>

### Compatible Parts



TE Part # 796634-7  
7 POS 5.08MM R/A PLUG, TRM BLK



TE Part # 284047-7  
TERMI-BLOK VERTICAL PLUG STACK



TE Part # 284041-7  
TERMINAL BLOCK VERTICAL PLUG S



TE Part # 1986262-7  
7 POS PLUG SPRING CONN, PITCH 5.08



TE Part # 4-796634-0  
TERMI-BLOK PLUG STACKING 7P.5



TE Part # 796635-7  
7 POS 5.08MM R/A PLUG, TRM BLK

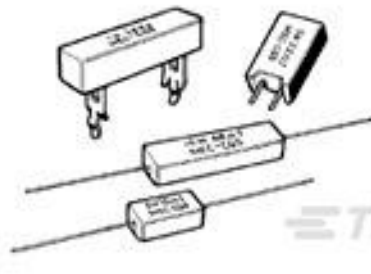
### Customers Also Bought



TE Part # CB5052-000  
BSTS-17X4



TE Part # 5747841-4  
15 MSFL PLUG RA 318 (IN, FM, BL)



TE Part # 1-1623782-1  
SQM5 33K 5% (METAL FILM)



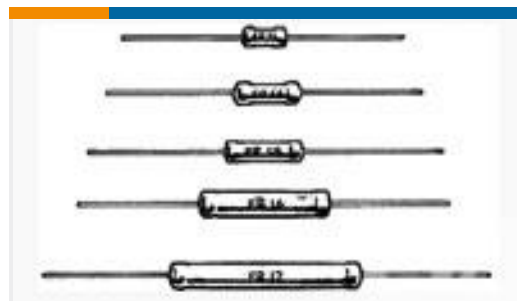
TE Part # 2-292175-2  
CT BOX HDR V SMT 2P O/TAPE BLA



TE Part #1734753-1  
MINI USB, TYPE B, VERTICAL, T/H



TE Part #1775485-1  
Battery Holder, 3.6mm, BLK, low profile



TE Part #1-1623746-0  
ER74 1K0 5% AMMO PK



TE Part #1-2176337-8  
CRGCO 0402 270R 1%

## Documents

### CAD Files

#### Customer View Model

[ENG\\_CVM\\_282825-7\\_D.3d\\_igs.zip](#)

English

#### Customer View Model

[ENG\\_CVM\\_282825-7\\_D.3d\\_stp.zip](#)

English

#### Customer View Model

[ENG\\_CVM\\_282825-7\\_D.2d\\_dxf.zip](#)

English

### 3D PDF

English

By downloading the CAD file I accept and agree to the [Terms and Conditions](#) of use.

### Datasheets & Catalog Pages

#### BUCHANAN TERMINAL BLOCKS CATALOG - EUROSTYLE TERMINAL BLOCKS

English

#### BUCHANAN PCB TERMINAL BLOCKS

English

[1-1773458-1\\_EURO\\_STYLE\\_TERMINAL\\_BLOCKS\\_QRG](#)

English

### Product Specifications

#### Application Specification

English

### Agency Approvals

#### UL

English