

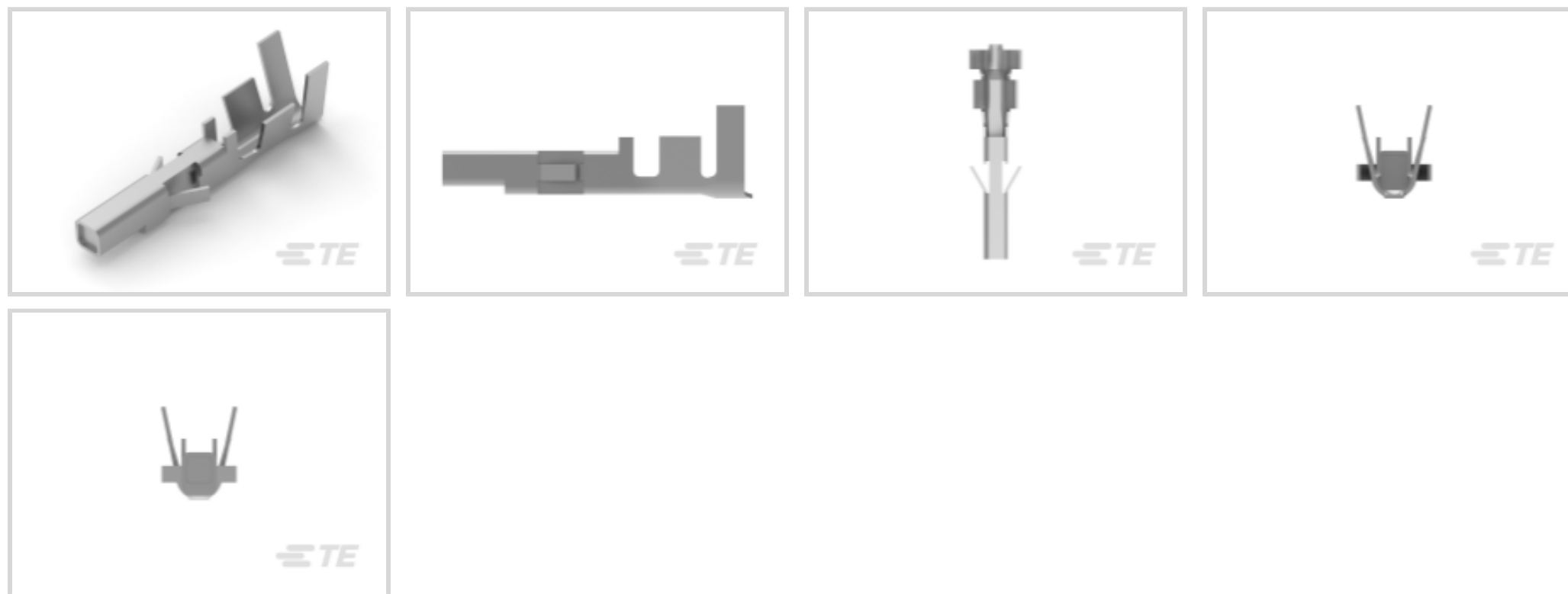


TE Internal #: 2825209-1

Power Contacts, Contact, 600 VAC, Tin, 16 AWG Wire Size, 1.31 mm² Wire Size, Wire & Cable, Crimp, Power, Socket, -40 – 105 °C [-40 – 221 °F]

[View on TE.com >](#)

Connectors > Power Connectors > Power Contacts



Power Contact Type: **Contact**

Operating Voltage: **600 VAC**

Contact Mating Area Plating Material: **Tin**

Wire Size: **1.31 mm²**

Features

Product Type Features

Power Contact Type	Contact
Connector & Contact Terminates To	Wire & Cable

Electrical Characteristics

Operating Voltage	600 VAC
-------------------	---------

Contact Features

Contact Mating Area Plating Material	Tin
Contact Current Rating (Max)	13 A
Contact Type	Socket
Contact Retention Within Housing	With
Mating Square Post Dimension	1.14 mm[.045 in]
Contact Base Material	Copper Alloy
Contact Mating Area Plating Material Thickness	2.54 μm[100 μin]
Wire Contact Termination Area Plating Thickness	2.54 μm[100 μin]
Wire Contact Termination Area Plating Material	Pre-Tin
Wire Contact Termination Area Plating Material Finish	Bright



Contact Orientation	Straight
Contact Underplating Material	Nickel
Contact Underplating Material Thickness	.762 μm[30 μin]

Termination Features

Termination Method to Wire & Cable	Crimp
------------------------------------	-------

Mechanical Attachment

Wire Insulation Support	Without
-------------------------	---------

Dimensions

Wire Size	1.31 mm ²
Compatible Insulation Diameter Range	1.5 – 3.1 mm[.06 – .122 in]

Usage Conditions

Operating Temperature Range	-40 – 105 °C[-40 – 221 °F]
-----------------------------	----------------------------

Operation/Application

Circuit Application	Power
---------------------	-------

Packaging Features

Packaging Method	Bag
------------------	-----

Product Compliance

[For compliance documentation, visit the product page on TE.com>](#)

EU RoHS Directive 2011/65/EU	Compliant
EU ELV Directive 2000/53/EC	Compliant
China RoHS 2 Directive MIIT Order No 32, 2016	No Restricted Materials Above Threshold
EU REACH Regulation (EC) No. 1907/2006	Current ECHA Candidate List: JUNE 2023 (235) Candidate List Declared Against: JUNE 2023 (235) Does not contain REACH SVHC
Halogen Content	Low Halogen - Br, Cl, F, I < 900 ppm per homogenous material. Also BFR/CFR/PVC Free
Solder Process Capability	Not reviewed for solder process capability

Product Compliance Disclaimer

This information is provided based on reasonable inquiry of our suppliers and represents our current actual knowledge based on the information they provided. This information is subject to change. The part numbers that TE has identified as EU RoHS compliant have a maximum concentration of 0.1% by weight in homogenous materials for lead, hexavalent



chromium, mercury, PBB, PBDE, DBP, BBP, DEHP, DIBP, and 0.01% for cadmium, or qualify for an exemption to these limits as defined in the Annexes of Directive 2011/65/EU (RoHS2). Finished electrical and electronic equipment products will be CE marked as required by Directive 2011/65/EU. Components may not be CE marked. Additionally, the part numbers that TE has identified as EU ELV compliant have a maximum concentration of 0.1% by weight in homogenous materials for lead, hexavalent chromium, and mercury, and 0.01% for cadmium, or qualify for an exemption to these limits as defined in the Annexes of Directive 2000/53/EC (ELV). Regarding the REACH Regulation, the information TE provides on SVHC in articles for this part number is based on the latest European Chemicals Agency (ECHA) 'Guidance on requirements for substances in articles' posted at this URL: <https://echa.europa.eu/guidance-documents/guidance-on-reach>

Compatible Parts



TE Part # 1586055-1
VAL-U-LOK SKT BR SN 16AWG



TE Part # 2825206-1
VAL-U-LOK PIN HCS SN 16AWG



TE Part # 2825207-1
VAL-U-LOK SKT HCS SN 16AWG



TE Part # 2825208-1
VAL-U-LOK PIN 16AWG HCS SN LP



TE Part # 2825210-1
VAL-U-LOK PIN HCS SN 18-22AWG



TE Part # 2825211-1
VAL-U-LOK SKT HCS SN 18-22AWG



TE Part # 2825212-1
VAL-U-LOK PIN HCS TN 22-18 LP



TE Part # 2825213-1
VAL-U-LOK SKT HCS SN 22-18 LP



TE Part # 2238017-1
VAL-U-LOK SKT BR SN 18-22AWG



TE Part # 1586055-3
VAL-U-LOK SKT PHBZ SN 16AWG

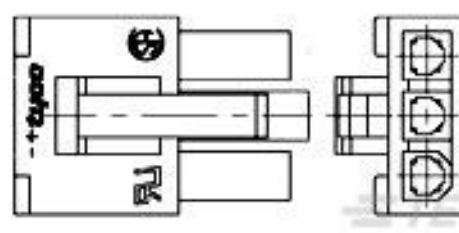
Customers Also Bought



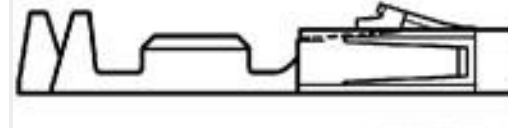
TE Part #1-1734839-0
FPC CONN. 0.5MM PITCH T/C,10P



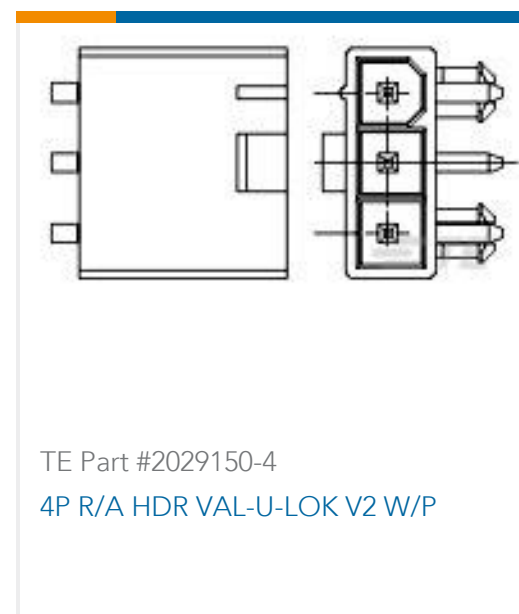
TE Part #104257-1
02 MTE RCPT HSG SR LATCH .100



TE Part #2029112-3
3P RCPT SR VAL-U-LOK GW



TE Part #1-104480-5
SHORT POINT RCP CONT LP



Documents

Product Drawings

[VAL-U-LOK SKT 16AWG HCS SN LP](#)

English

CAD Files

[3D PDF](#)

3D

Customer View Model

[ENG_CVM_CVM_2825209-1_A.2d_dxf.zip](#)

English

Customer View Model

[ENG_CVM_CVM_2825209-1_A.3d_igs.zip](#)

English

Customer View Model

[ENG_CVM_CVM_2825209-1_A.3d_stp.zip](#)

English

By downloading the CAD file I accept and agree to the [Terms and Conditions](#) of use.

Product Specifications

[Application Specification](#)

English

Instruction Sheets

[Instruction Sheet \(U.S.\)](#)

English