

282403-1 ✓ ACTIVE

AMP Superseal 1.5mm Series

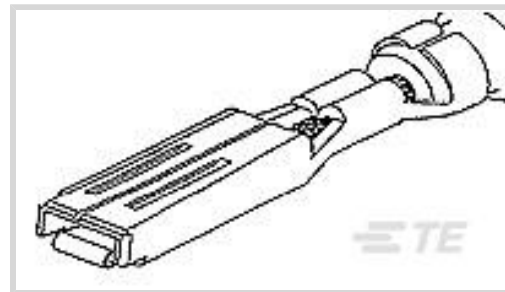
TE Internal #: 282403-1

Automotive Terminals, Receptacle, Mating Tab Width 1.5 mm [.059 in], Tab Thickness .8 mm [.031 in], 22 – 20 AWG Wire Size, AMP Superseal 1.5mm Series

[View on TE.com >](#)



Terminals & Splices > Automotive Terminals > AMP SUPERSEAL 1.5MM, RECEPTACLE AND TAB



Terminal Type: **Receptacle**

Mating Tab Width: **1.5 mm [.059 in]**

Mating Tab Thickness: **.8 mm [.031 in]**

Terminal Transmits: **0 – 24 A (Low Power)**

Wire Size: **22 – 20 AWG**

[All AMP SUPERSEAL 1.5MM, RECEPTACLE AND TAB \(17\)](#)

Features

Product Type Features

| | |
|-------------------------|---------------|
| Receptacle Style | 180° |
| Sealable | Yes |
| Primary Locking Feature | Locking Lance |

Body Features

| | |
|--------------------|------------------------|
| Terminal Seal Type | Single Wire Seal (SWS) |
|--------------------|------------------------|

Contact Features

| | |
|--|------------------|
| Contact Size | 1.5mm |
| Contact Fabrication | Stamped & Formed |
| Wire Contact Termination Area Plating Material | Tin |
| Typical Current Rating | 6 A |
| Crimp Type | F-Crimp |
| Terminal Type | Receptacle |
| Mating Tab Width | 1.5 mm[.059 in] |
| Mating Tab Thickness | .8 mm[.031 in] |
| Interface Plating | Tin (Sn) |

Termination Features

| | |
|------------------------------------|-------|
| Termination Method to Wire & Cable | Crimp |
|------------------------------------|-------|



| | |
|-----------------------|------|
| Product Terminates To | Wire |
|-----------------------|------|

Dimensions

| | |
|--------------------------------------|-------------------------------|
| Compatible Insulation Diameter Range | 1.2 – 1.6 mm [.047 – .063 in] |
|--------------------------------------|-------------------------------|

| | |
|-----------|--------------------------|
| Wire Size | .35 – .5 mm ² |
|-----------|--------------------------|

| | |
|------------------|------------------------|
| Wire Size Search | 20 AWG, 21 AWG, 22 AWG |
|------------------|------------------------|

Usage Conditions

| | |
|-------------------|-------------|
| Insulation Option | Uninsulated |
|-------------------|-------------|

| | |
|-----------------------------|--|
| Operating Temperature (Max) | 80 °C, 85 °C, 90 °C, 100 °C, 105 °C, 110 °C, 120 °C, 125 °C [176 °F][185 °F][194 °F][212 °F][221 °F][230 °F][248 °F][257 °F] |
|-----------------------------|--|

| | |
|-----------------------------|-----------------------------|
| Operating Temperature Range | -40 – 125 °C [-40 – 257 °F] |
|-----------------------------|-----------------------------|

Operation/Application

| | |
|------------------------------------|--------|
| Compatible With Wire Base Material | Copper |
|------------------------------------|--------|

Industry Standards

| | |
|-----------------|-------|
| Agency/Standard | LV214 |
|-----------------|-------|

Packaging Features

| | |
|--------------------|------|
| Packaging Quantity | 4000 |
|--------------------|------|

| | |
|------------------|------|
| Packaging Method | Reel |
|------------------|------|

Other

| | |
|----------------------------|----|
| Customer Preferred Contact | No |
|----------------------------|----|

| | |
|--------------------|----------------------|
| Terminal Transmits | 0 – 24 A (Low Power) |
|--------------------|----------------------|

Product Compliance

[For compliance documentation, visit the product page on TE.com>](#)

| | |
|------------------------------|-----------|
| EU RoHS Directive 2011/65/EU | Compliant |
|------------------------------|-----------|

| | |
|-----------------------------|-----------|
| EU ELV Directive 2000/53/EC | Compliant |
|-----------------------------|-----------|

| | |
|---|---|
| China RoHS 2 Directive MIIT Order No 32, 2016 | No Restricted Materials Above Threshold |
|---|---|

| | |
|--|---|
| EU REACH Regulation (EC) No. 1907/2006 | Current ECHA Candidate List: JUNE 2023 (235) Candidate List Declared Against: JUNE 2023 (235) Does not contain REACH SVHC |
|--|---|

| | |
|-----------------|---|
| Halogen Content | Low Halogen - Br, Cl, F, I < 900 ppm per homogenous material. Also BFR/CFR/PVC Free |
|-----------------|---|


Solder Process Capability

Not applicable for solder process capability

Product Compliance Disclaimer

This information is provided based on reasonable inquiry of our suppliers and represents our current actual knowledge based on the information they provided. This information is subject to change. The part numbers that TE has identified as EU RoHS compliant have a maximum concentration of 0.1% by weight in homogenous materials for lead, hexavalent chromium, mercury, PBB, PBDE, DBP, BBP, DEHP, DIBP, and 0.01% for cadmium, or qualify for an exemption to these limits as defined in the Annexes of Directive 2011/65/EU (RoHS2). Finished electrical and electronic equipment products will be CE marked as required by Directive 2011/65/EU. Components may not be CE marked. Additionally, the part numbers that TE has identified as EU ELV compliant have a maximum concentration of 0.1% by weight in homogenous materials for lead, hexavalent chromium, and mercury, and 0.01% for cadmium, or qualify for an exemption to these limits as defined in the Annexes of Directive 2000/53/EC (ELV). Regarding the REACH Regulation, the information TE provides on SVHC in articles for this part number is based on the latest European Chemicals Agency (ECHA) 'Guidance on requirements for substances in articles' posted at this URL: <https://echa.europa.eu/guidance-documents/guidance-on-reach>

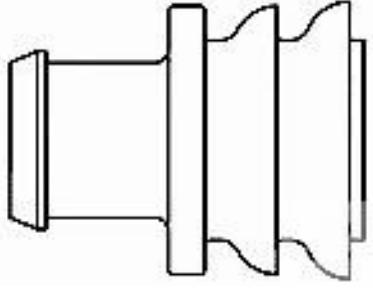
Compatible Parts



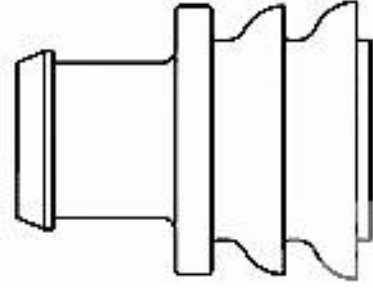
TE Part # CAT-AM71-CH8172
AMP SUPERSEAL 1.5MM,
CONNECTOR HOUSING



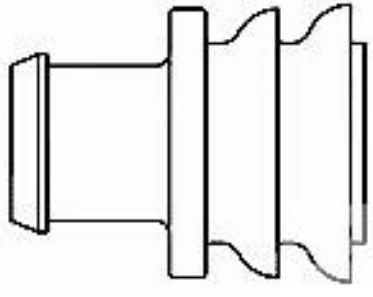
TE Part # 9-1579007-1
EXTRACTION TOOL



TE Part # 281934-3
SINGLE WIRE SEAL



TE Part # 281934-2
SINGLE WIRE SEAL



TE Part # 281934-4
SINGLE WIRE SEAL



TE Part # 2305570-1
Strip Terminal Cutter-Side Feed-No
Crimp



TE Part # CAT-AM71-T273
AMP SUPERSEAL 1.5MM,
RECEPTACLE AND TAB



TE Part # 2151734-1
OCEAN-2.0-APPLICATOR-S-070F145O



TE Part # 2151734-2
OCEAN-2.0-APPLICATOR-S-
070F145OA



TE Part # 5-2151734-1
OCEAN-2.0-APPLICATOR-S-070F145O



TE Part # 5-2151734-2
OCEAN-2.0-APPLICATOR-S-
070F145OA



TE Part # 7-2151734-1
OCEAN-2.0-APPLICATOR-S-070F145O




TE Part # 7-2151734-2
OCEAN-2.0-APPLICATOR-S-070F1450A



KIT
REPRESENTATION ONLY

TE Part # 7-2151734-7
OCEAN_2.0_SPARE_PART_KIT-070F1450



KIT
REPRESENTATION ONLY

TE Part # 7-2266249-7
OC-070F1450-752-CRIMPTOOLINGKIT




TE Part # 539773-2
DIE FUER MINI MIC




TE Part # 2-2151734-1
OCEAN-2.0-APPLICATOR-S-070F1450


Also in the Series | AMP Superseal 1.5mm Series




Automotive Connector Caps & Covers (2)




Automotive Housings(29)



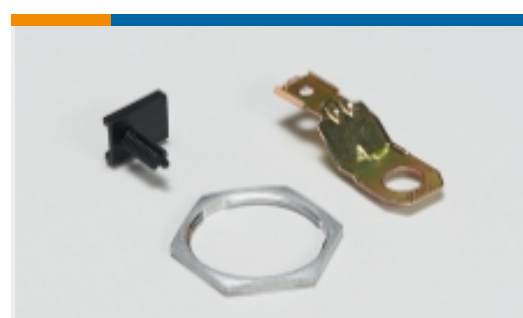
Automotive Terminals(17)



Connector Seals & Cavity Plugs(4)



Insertion & Extraction Tools(3)

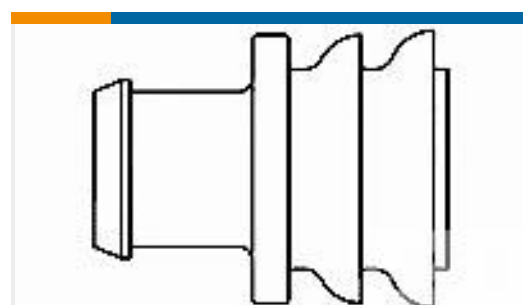


Other Automotive Connector Accessories(2)

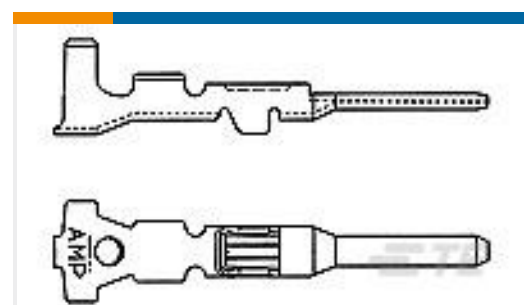
Customers Also Bought



TE Part #282108-1
AMP SUPERSEAL 1.5MM, CONNECTOR HOUSING



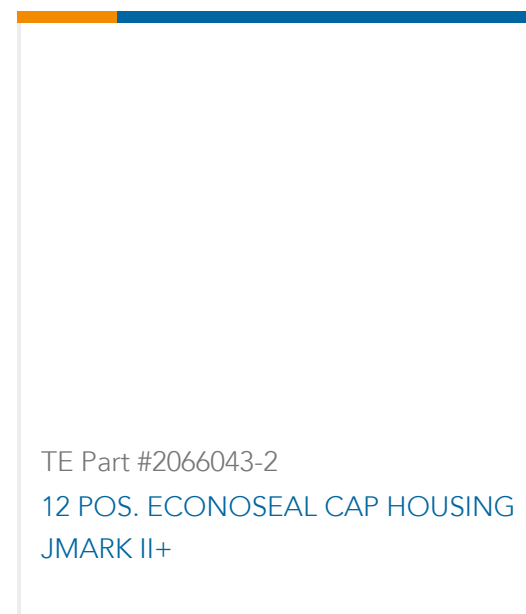
TE Part #281934-3
SINGLE WIRE SEAL



TE Part #183036-1
MINI MIC TAB CONTACT L.P.



TE Part #1418603-2
3POS MQS REC SEALED COD B



Documents

Product Drawings

MINI MIC SRS REC CONT

English

CAD Files

3D PDF

3D

Customer View Model

[ENG_CVM_CVM_282403-1_B.2d_dxf.zip](#)

English

Customer View Model

[ENG_CVM_CVM_282403-1_B.3d_igs.zip](#)

English

Customer View Model

[ENG_CVM_CVM_282403-1_B.3d_stp.zip](#)

English

By downloading the CAD file I accept and agree to the [Terms and Conditions](#) of use.

Datasheets & Catalog Pages

AMP SUPERSEAL 1.5mm Connector System

English

ICT Terminals and Connectors Catalogue

English

Product Specifications

Application Specification

German

Application Specification

English

Application Specification

English

Application spec. for Mini Mic ctc. for single wire sealing with 5.6m. out. dia.

English

Application Specification

English



Instruction Sheets

[Hand application tool P/N 785353-1](#)

English

[Instruction Sheet \(non U.S.\)](#)

English