

282374-1 ✓ ACTIVE

AMP | Multilock Connector System

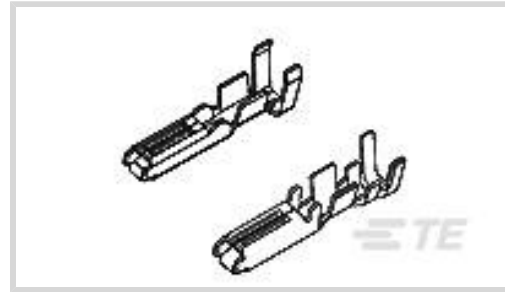
TE Internal #: 282374-1

Automotive Terminals, Receptacle, Mating Tab Width 1.8 mm [.071 in], Tab Thickness .64 mm [.025 in], 22 – 20 AWG Wire Size, Multilock Connector System

[View on TE.com >](#)



Terminals & Splices > Automotive Terminals > MULTILOCK, RECEPTACLE AND TAB



Terminal Type: **Receptacle**

Mating Tab Width: **1.8 mm [.071 in]**

Mating Tab Thickness: **.64 mm [.025 in]**

Terminal Transmits: **0 – 24 A (Low Power)**

Wire Size: **22 – 20 AWG**

[All MULTILOCK, RECEPTACLE AND TAB \(136\)](#)

## Features

### Product Type Features

Receptacle Style	180°
Sealable	No
Primary Locking Feature	Clean Body

### Contact Features

Contact Size	1.7mm
Contact Fabrication	Stamped & Formed
Wire Contact Termination Area Plating Material	Tin
Typical Current Rating	6 A
Crimp Type	F-Crimp
Terminal Type	Receptacle
Mating Tab Width	1.8 mm[.071 in]
Mating Tab Thickness	.64 mm[.025 in]
Interface Plating	Tin (Sn)

### Termination Features

Termination Method to Wire & Cable	Crimp
Product Terminates To	Wire

### Dimensions



Compatible Insulation Diameter Range	1.2 – 1.6 mm [.055 – .067 in]
Wire Size	.35 – .5 mm <sup>2</sup>
Wire Size Search	20 AWG, 21 AWG, 22 AWG

### Usage Conditions

Insulation Option	Uninsulated
Operating Temperature (Max)	80 °C, 85 °C, 90 °C, 100 °C, 105 °C [176 °F] [185 °F][194 °F][212 °F][221 °F]
Operating Temperature Range	-30 – 105 °C [-22 – 221 °F]

### Operation/Application

Compatible With Wire Base Material	Copper
------------------------------------	--------

### Packaging Features

Packaging Quantity	4500
Packaging Method	Reel

### Other

Terminal Transmits	0 – 24 A (Low Power)
--------------------	----------------------

## Product Compliance

[For compliance documentation, visit the product page on TE.com>](#)

EU RoHS Directive 2011/65/EU	Compliant
EU ELV Directive 2000/53/EC	Compliant
China RoHS 2 Directive MIIT Order No 32, 2016	No Restricted Materials Above Threshold
EU REACH Regulation (EC) No. 1907/2006	Current ECHA Candidate List: JUNE 2023 (235) Candidate List Declared Against: JUNE 2023 (235) Does not contain REACH SVHC
Halogen Content	Low Halogen - Br, Cl, F, I < 900 ppm per homogenous material. Also BFR/CFR/PVC Free
Solder Process Capability	Not applicable for solder process capability

#### Product Compliance Disclaimer

This information is provided based on reasonable inquiry of our suppliers and represents our current actual knowledge based on the information they provided. This information is subject to change. The part numbers that TE has identified as EU RoHS compliant have a maximum concentration of 0.1% by weight in homogenous materials for lead, hexavalent chromium, mercury, PBB, PBDE, DBP, BBP, DEHP, DIBP, and 0.01% for cadmium, or qualify for an exemption to these limits as defined in the Annexes of Directive 2011/65/EU (RoHS2). Finished electrical and electronic equipment products will be CE marked as required by Directive 2011/65/EU. Components may not be CE marked. Additionally, the part

numbers that TE has identified as EU ELV compliant have a maximum concentration of 0.1% by weight in homogenous materials for lead, hexavalent chromium, and mercury, and 0.01% for cadmium, or qualify for an exemption to these limits as defined in the Annexes of Directive 2000/53/EC (ELV). Regarding the REACH Regulation, the information TE provides on SVHC in articles for this part number is based on the latest European Chemicals Agency (ECHA) 'Guidance on requirements for substances in articles' posted at this URL: <https://echa.europa.eu/guidance-documents/guidance-on-reach>

## Compatible Parts



TE Part # 9-1579007-1  
EXTRACTION TOOL



TE Part # 2305570-1  
Strip Terminal Cutter-Side Feed-No Crimp



TE Part # CAT-M9194-CH8172  
MULTILOCK, CONNECTOR HOUSING



TE Part # 2151090-1  
OCEAN\_2.0\_Applicator-S-070F080BX



TE Part # 2151090-2  
OCEAN\_2.0\_Applicator-S-070F080BX



TE Part # 7-2151090-1  
OCEAN\_2.0\_Applicator-S-070F080BX




TE Part # 7-2151090-2  
OCEAN\_2.0\_Applicator-S-070F080BX




TE Part # 7-2151090-7  
OCEAN\_2.0\_SPARE\_PART\_KIT-070F080BX

## Also in the Series | Multilock Connector System



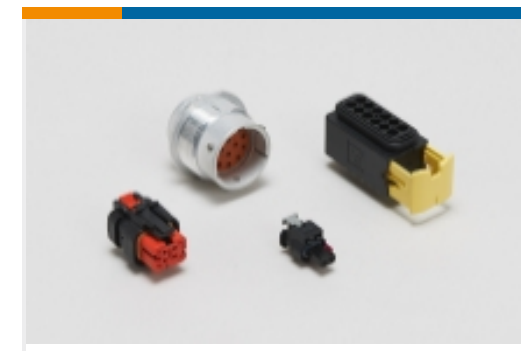
Automotive Connector Caps & Covers (17)



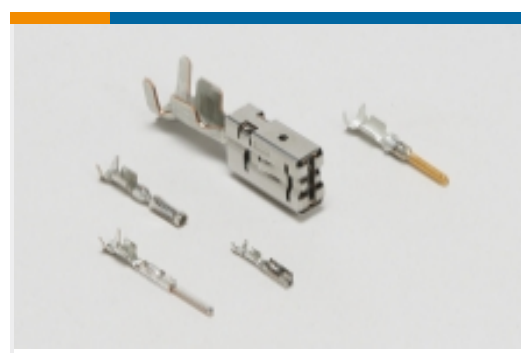
Automotive Connector EMC Shielding (1)




Automotive Connector Locks & Position Assurance(2)




Automotive Housings(603)




Automotive Terminals(141)



Connector Seals & Cavity Plugs(2)



Insertion & Extraction Tools(6)

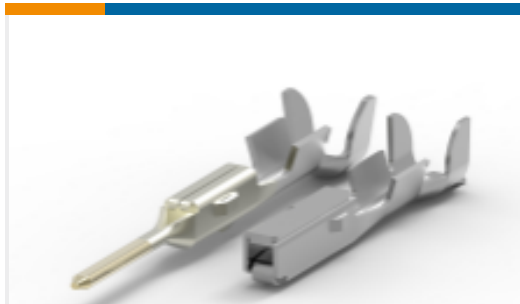


Other Automotive Connector Accessories(14)

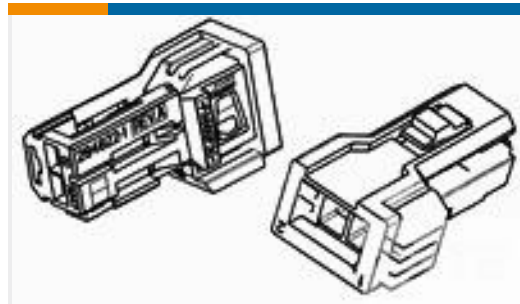


PCB Headers & Receptacles(142)

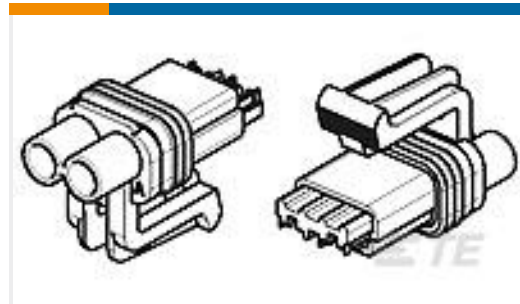
## Customers Also Bought



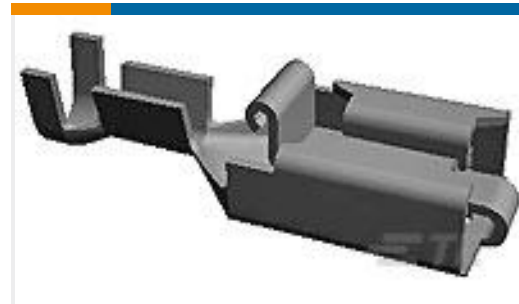
TE Part #284088-1  
MULTILOCK, RECEPTACLE AND TAB



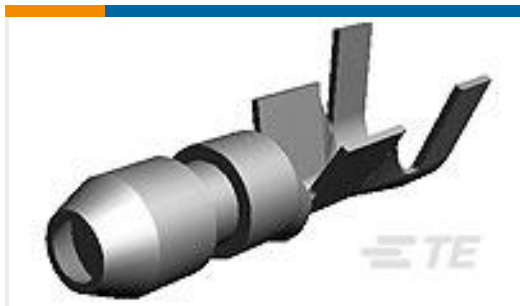
TE Part #284820-1  
2 pos 070 New Generation



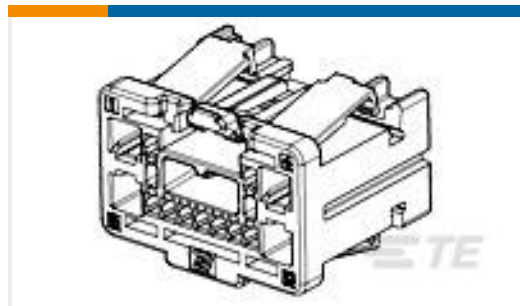
TE Part #444230-1  
ASSY 2 POSN 63 SER



TE Part #880646-6  
POSITIVE LOCK REC.



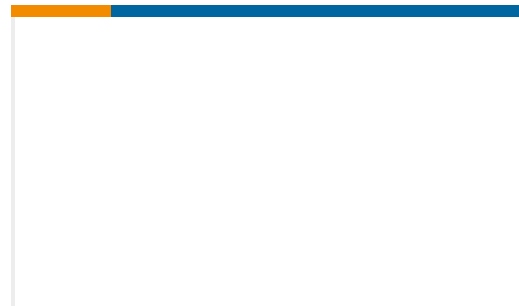
TE Part #170002-7  
TERMINAL GROUP NUMBER



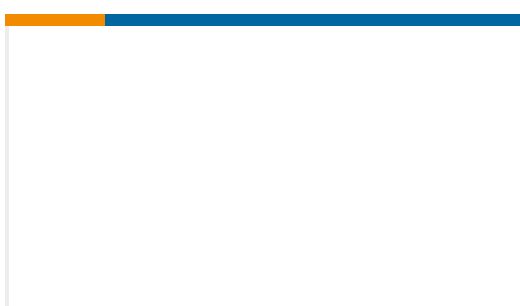
TE Part #1924667-1  
13p Hybrid - 1pc Unsealed Plug, Key A



TE Part #2819293-1  
PIVOTED ARM ASSEMBLY



TE Part #570055-000  
BL-POLY125-16-0-90MM



TE Part #2819292-1  
ARM GUIDE

## Documents

### Product Drawings

[070 MULTILOK RCPT CONT.](#)

English

### CAD Files

Customer View Model

[ENG\\_CVM\\_282374-1\\_A1.3d\\_igs.zip](#)

English

Customer View Model



[ENG\\_CVM\\_282374-1\\_A1.3d\\_stp.zip](#)

English

**Customer View Model**

[ENG\\_CVM\\_282374-1\\_A1.2d\\_dxf.zip](#)

English

**3D PDF**

English

By downloading the CAD file I accept and agree to the [Terms and Conditions](#) of use.

---

**Datasheets & Catalog Pages**

**MULTILOCK Connector System**

English

---

**Product Specifications**

**Application Specification**

English

[appl.spec.for 070 series rec.con](#)

English