



Econoseal

TE Internal #: 2822393-1

Housing for Female Terminals, Wire-to-Wire, 8 Position, .189 in [4.8 mm] Centerline, Sealable, Black, Signal, Cable Mount (Free-Hanging), Econoseal

[View on TE.com >](#)

Connectors > Automotive Connectors > Automotive Housings > ECONOSEAL, CONNECTOR HOUSING



Connector System: **Wire-to-Wire**

Number of Positions: **8**

Connector & Housing Type: **Housing for Female Terminals**

Centerline (Pitch): **4.8 mm [ .189 in ]**

Sealable: **Yes**

[All ECONOSEAL, CONNECTOR HOUSING \(108\)](#)

**Features**

**Product Type Features**

|                          |                              |
|--------------------------|------------------------------|
| Mixed & Hybrid Connector | No                           |
| Connector Shape          | Rectangular                  |
| Connector System         | Wire-to-Wire                 |
| Connector & Housing Type | Housing for Female Terminals |
| Sealable                 | Yes                          |
| Primary Locking Feature  | Integrated in Housing        |

**Configuration Features**

|                     |   |
|---------------------|---|
| Number of Positions | 8 |
| Number of Rows      | 2 |

**Body Features**

|                       |       |
|-----------------------|-------|
| Cable Exit Angle      | 180°  |
| Primary Product Color | Black |



### Contact Features

|                  |                 |
|------------------|-----------------|
| Contact Size     | 1.8mm           |
| Contact Type     | Receptacle      |
| Mating Tab Width | 1.8 mm[.071 in] |

### Mechanical Attachment

|                             |                            |
|-----------------------------|----------------------------|
| Terminal Position Assurance | No                         |
| Strain Relief               | Without                    |
| Mating Alignment Type       | Polarization Slot          |
| Mating Alignment            | With                       |
| Connector Mounting Type     | Cable Mount (Free-Hanging) |

### Housing Features

|                    |                 |
|--------------------|-----------------|
| Housing Material   | PBT             |
| Centerline (Pitch) | 4.8 mm[.189 in] |

### Dimensions

|                    |                  |
|--------------------|------------------|
| Connector Height   | 27.6 mm[1.08 in] |
| Product Width      | 33.2 mm[1.31 in] |
| Product Length     | 31 mm[1.22 in]   |
| Row-to-Row Spacing | 5.6 mm[.22 in]   |

### Usage Conditions

|                             |   |
|-----------------------------|---|
| Operating Temperature (Max) | 70 °C, 75 °C, 80 °C, 85 °C, 90 °C, 100 °C, 105 °C[158 °F][167 °F][176 °F][185 °F][194 °F][212 °F][221 °F] |
| Operating Temperature Range | -30 – 105 °C[-22 – 221 °F]  |

### Operation/Application

|                     |        |
|---------------------|--------|
| Circuit Application | Signal |
|---------------------|--------|

### Industry Standards

|                        |          |
|------------------------|----------|
| UL Flammability Rating | UL 94V-2 |
|------------------------|----------|

### Packaging Features

|                    |     |
|--------------------|-----|
| Packaging Quantity | 100 |
| Packaging Method   | Bag |

### Other

|                                      |    |
|--------------------------------------|----|
| Connector Position Assurance Capable | No |
|--------------------------------------|----|



## Product Compliance

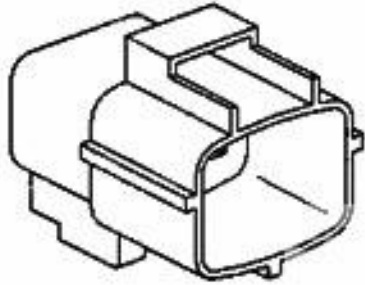

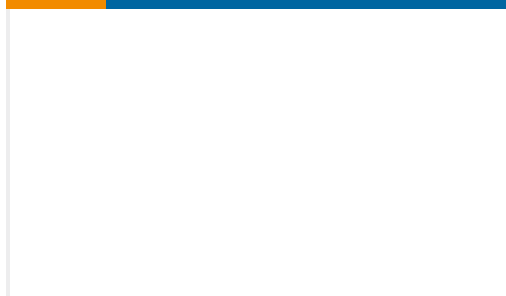
[For compliance documentation, visit the product page on TE.com>](#)

|   |   |
|---|---|
| EU RoHS Directive 2011/65/EU                  | Compliant   |
| EU ELV Directive 2000/53/EC                   | Compliant   |
| China RoHS 2 Directive MIIT Order No 32, 2016 | No Restricted Materials Above Threshold   |
| EU REACH Regulation (EC) No. 1907/2006        | Current ECHA Candidate List: JUNE 2023 (235)<br>Candidate List Declared Against: JUNE 2023 (235)<br>Does not contain REACH SVHC |
| Halogen Content                               | Not Low Halogen - contains Br or Cl > 900 ppm.  |
| Solder Process Capability                     | Not applicable for solder process capability  |

### Product Compliance Disclaimer

This information is provided based on reasonable inquiry of our suppliers and represents our current actual knowledge based on the information they provided. This information is subject to change. The part numbers that TE has identified as EU RoHS compliant have a maximum concentration of 0.1% by weight in homogenous materials for lead, hexavalent chromium, mercury, PBB, PBDE, DBP, BBP, DEHP, DIBP, and 0.01% for cadmium, or qualify for an exemption to these limits as defined in the Annexes of Directive 2011/65/EU (RoHS2). Finished electrical and electronic equipment products will be CE marked as required by Directive 2011/65/EU. Components may not be CE marked. Additionally, the part numbers that TE has identified as EU ELV compliant have a maximum concentration of 0.1% by weight in homogenous materials for lead, hexavalent chromium, and mercury, and 0.01% for cadmium, or qualify for an exemption to these limits as defined in the Annexes of Directive 2000/53/EC (ELV). Regarding the REACH Regulation, the information TE provides on SVHC in articles for this part number is based on the latest European Chemicals Agency (ECHA) 'Guidance on requirements for substances in articles' posted at this URL: <https://echa.europa.eu/guidance-documents/guidance-on-reach>

## Compatible Parts

|   |   |   |
|---|---|---|
|  <p>TE Part # 174984-2<br/>8 POS. CAP MK II+</p> |  <p>TE Part # 174983-7<br/>8 POS DL PLATE FOR PLUG MKII+</p> |  <p>TE Part # 174981-2<br/>E-J MARK 2(+) PLUG HSG 8P</p> |
|---|---|---|

## Also in the Series | Econoseal



Automotive Connector Caps & Covers (1)



Automotive Connector Locks & Position Assurance(25)



Automotive Housings(105)



Automotive Terminals(48)



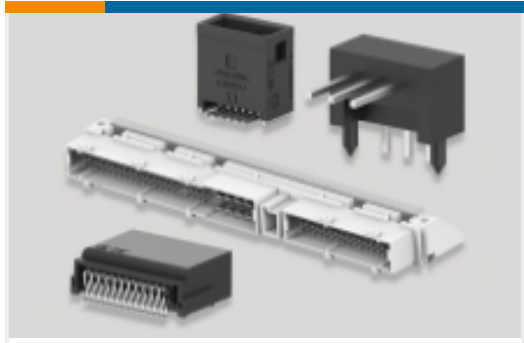
Connector Seals & Cavity Plugs(19)



Insertion & Extraction Tools(7)



Other Automotive Connector Accessories(5)

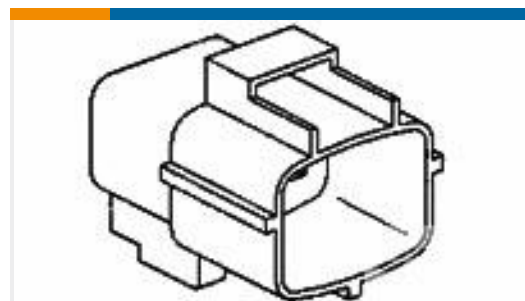


PCB Headers & Receptacles(4)

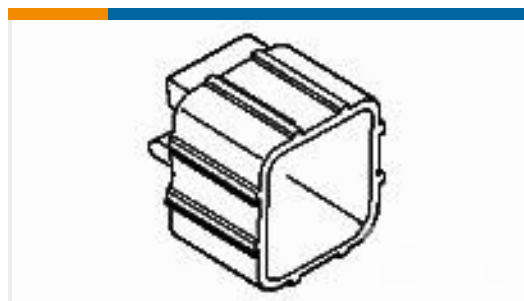


Primary Wire(1)

### Customers Also Bought



TE Part #174984-2  
8 POS. CAP MK II+



TE Part #174985-7  
8 POS. DL PLATE FOR CAP MK II+



TE Part #174983-7  
8 POS DL PLATE FOR PLUG MKII+



TE Part #1-2351080-1  
57POS, HYBRID, REC HSG, SECONDARY LOCK



TE Part #1-2355515-5  
5POS, MCON 1.2, REC HSG ASSY, SLD, COD A



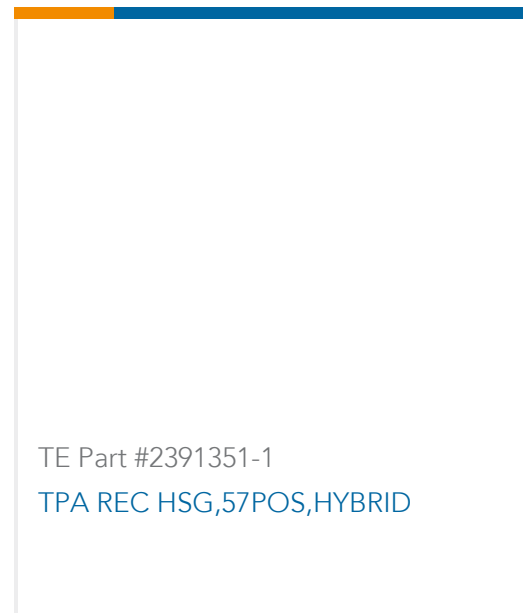
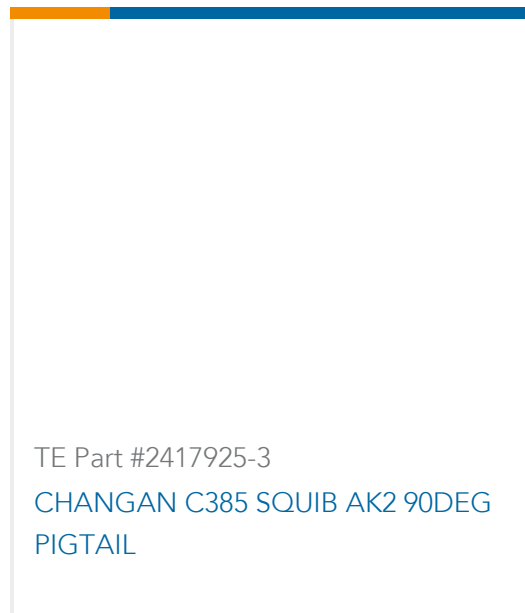
TE Part #1-2359439-1  
PLASTIC CARRIER, 25POS, CODE A



TE Part #2391347-1  
57POS, HYBRID, REC HSG ASSY, SLD, COD A



TE Part #1-174983-1  
E-J MK-2 PLUG HSG 8P NATUDRAL



## Documents

### Product Drawings

[070 ECONOSEAL MARK-2+ PLUG 8P](#)

Japanese

### CAD Files

[3D PDF](#)

3D

Customer View Model

[ENG\\_CVM\\_CVM\\_2822393-1\\_A.2d\\_dxf.zip](#)

English

Customer View Model

[ENG\\_CVM\\_CVM\\_2822393-1\\_A.3d\\_igs.zip](#)

English

Customer View Model

[ENG\\_CVM\\_CVM\\_2822393-1\\_A.3d\\_stp.zip](#)

English

By downloading the CAD file I accept and agree to the [Terms and Conditions](#) of use.

### Datasheets & Catalog Pages

[Econoseal Connector Series](#)

English

### Product Specifications

[Product Specification](#)

English

[Product Specification](#)

Japanese

### Agency Approvals

[Agency Approval Document](#)

English