

2821750-1 ✓ ACTIVE

Sliver for SFF-TA-1002

TE Internal #: 2821750-1

Sliver Cable Assembly, 50 Position, .5 m, 25 Gb/s, Discrete Pair, 33 AWG, Sliver Plug, Sliver Plug, High Speed, 32 Signal Positions, CL2

[View on TE.com >](#)



Cable Assemblies > Copper Cable Assemblies > Internal I/O Cable Assemblies



Cable Assembly Type: **Sliver**

Connector Type (End A): **Sliver Plug**

Connector Type (End B): **Sliver Plug**

Cable Style: **Discrete Pair**

Cable Assembly Category: **High Speed**

Features

Product Type Features

Cable Assembly Type	Sliver
Connector Type (End A)	Sliver Plug
Connector Type (End B)	Sliver Plug
Cable Style	Discrete Pair
Cable Assembly Category	High Speed

Configuration Features

Number of Positions	50
Number of Signal Positions	32

Signal Characteristics

Data Rate	25 Gb/s
-----------	---------

Body Features

Cable Flammability Rating	CL2
---------------------------	-----

Dimensions

Wire Size	33 AWG
-----------	--------

Operation/Application

Halogen Free	No
--------------	----

Other

--	--



Cable Assembly Configuration	Double Ended
Cable Assembly Length	.5 m

Product Compliance

[For compliance documentation, visit the product page on TE.com>](#)

EU RoHS Directive 2011/65/EU	Compliant
EU ELV Directive 2000/53/EC	Compliant
China RoHS 2 Directive MIIT Order No 32, 2016	No Restricted Materials Above Threshold
EU REACH Regulation (EC) No. 1907/2006	Current ECHA Candidate List: JUNE 2023 (235) Candidate List Declared Against: JAN 2021 (211) Does not contain REACH SVHC
Halogen Content	Not Low Halogen - contains Br or Cl > 900 ppm.
Solder Process Capability	Not applicable for solder process capability

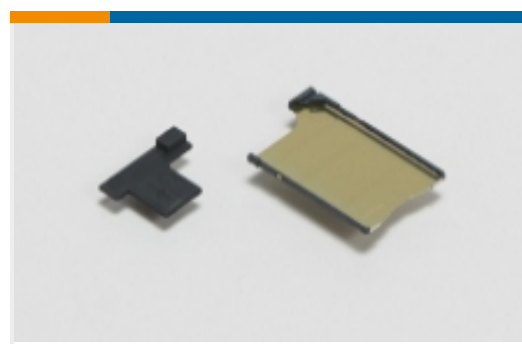
Product Compliance Disclaimer

This information is provided based on reasonable inquiry of our suppliers and represents our current actual knowledge based on the information they provided. This information is subject to change. The part numbers that TE has identified as EU RoHS compliant have a maximum concentration of 0.1% by weight in homogenous materials for lead, hexavalent chromium, mercury, PBB, PBDE, DBP, BBP, DEHP, DIBP, and 0.01% for cadmium, or qualify for an exemption to these limits as defined in the Annexes of Directive 2011/65/EU (RoHS2). Finished electrical and electronic equipment products will be CE marked as required by Directive 2011/65/EU. Components may not be CE marked. Additionally, the part numbers that TE has identified as EU ELV compliant have a maximum concentration of 0.1% by weight in homogenous materials for lead, hexavalent chromium, and mercury, and 0.01% for cadmium, or qualify for an exemption to these limits as defined in the Annexes of Directive 2000/53/EC (ELV). Regarding the REACH Regulation, the information TE provides on SVHC in articles for this part number is based on the latest European Chemicals Agency (ECHA) 'Guidance on requirements for substances in articles' posted at this URL: <https://echa.europa.eu/guidance-documents/guidance-on-reach>

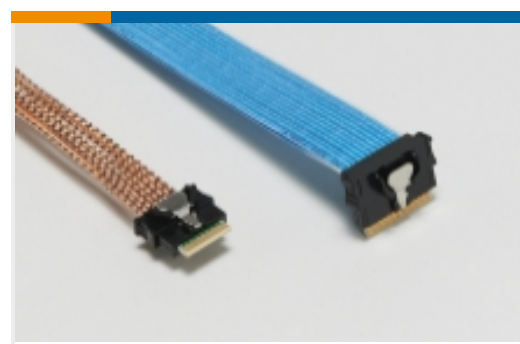
Compatible Parts



Also in the Series | [Sliver for SFF-TA-1002](#)



Card Guide Hardware(1)

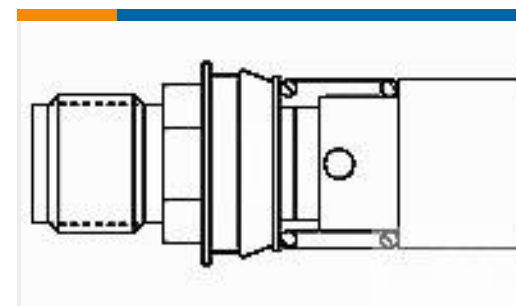
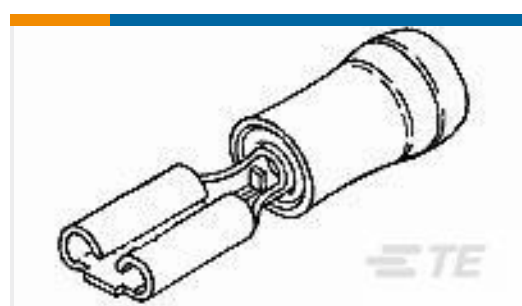


Internal I/O Cable Assemblies(109)



Internal I/O Connectors(135)

Customers Also Bought

TE Part #120527-1
1FHP,64,30A/P,S,N,S10,12,13,15TE Part #CV7366-000
222K121-25L-0TE Part #2292055-1
RECEPTACLE ASSY RA 50 POSN MBCTE Part #1052098-1
2037 5100 02TE Part #1053635-1
2081 0000 02TE Part #1571079-4
PRASD1-16F-BB000=POWER ROCKERTE Part #2-1879216-3
CPF 0402 86K6 0.1% 25PPM 1K RLTE Part #1059724-1
4583 2240 02TE Part #8-61060-1
RECEPT,PIDG FASTON 22-18 110TE Part #1221286-1
SSMT-OSMT TL ENGAGE-DISENGAGE

Documents

CAD Files

[3D PDF](#)

[3D](#)

Customer View Model

[ENG_CVM_CVM_2821750-1_A.2d_dxf.zip](#)

English

Customer View Model

[ENG_CVM_CVM_2821750-1_A.3d_igs.zip](#)

2821750-1

Sliver Cable Assembly, 50 Position, .5 m, 25 Gb/s, Discrete Pair, 33 AWG, Sliver Plug,
Sliver Plug, High Speed, 32 Signal Positions, CL2



English

Customer View Model

[ENG_CVM_CVM_2821750-1_A.3d_stp.zip](#)

English

By downloading the CAD file I accept and agree to the [Terms and Conditions](#) of use.

Datasheets & Catalog Pages

[Sliver Cable Assembly Technical Datasheet](#)

English

[Sliver Internal Cabled Interconnect Solutions Brochure \(Chinese\)](#)