

# 2820350-2 ✓ ACTIVE

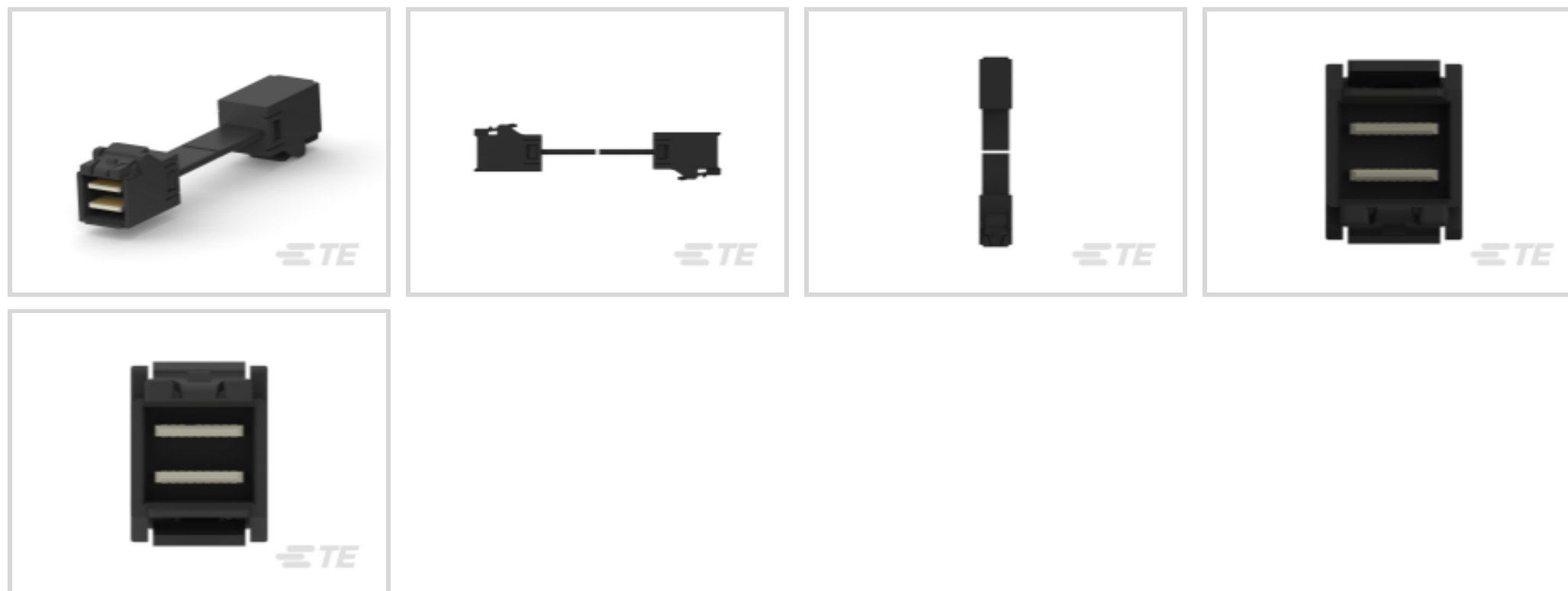
TE Internal #: 2820350-2

INTERNAL Mini-SAS HD Cable Assembly, 16 Positions, 1.64 ft [.5 m], 12 Gb/s, Black Cable, 30 AWG, .051 mm<sup>2</sup>, Discrete Pairs, INTERNAL Mini-SAS HD Plug

[View on TE.com >](#)



Cable Assemblies > Copper Cable Assemblies > Pluggable I/O Cable Assemblies



Cable Assembly Type: INTERNAL Mini-SAS HD

Wire Size: .051 mm<sup>2</sup>

Outside Cable Diameter: 1.02 mm, 1.68 mm [.04 in, .066 in]

Cable Assembly Length: .5 m [1.64 ft]

## Features

### Product Type Features

Cable Assembly Category	High Speed, Industry Standard
Cable Assembly Type	INTERNAL Mini-SAS HD
Connector Type (End A)	INTERNAL Mini-SAS HD Plug
Connector Type (End B)	INTERNAL Mini-SAS HD Plug
Cable Style	Discrete Pairs

### Configuration Features

Number of Positions	16
Number of Pairs	8
Number of Signal Positions	16

### Electrical Characteristics

Impedance	100 Ω
-----------	-------

### Signal Characteristics

Data Rate	12 Gb/s
-----------	---------

### Body Features

Cable Color	Black
-------------	-------



Cable Flammability Rating	VW-1
---------------------------	------

### Dimensions

Wire Size	.051 mm <sup>2</sup>
Outside Cable Diameter	1.02 mm, 1.68 mm [.04 in][.066 in]

### Operation/Application

Halogen Free	Yes
--------------	-----

### Other

Cable Assembly Configuration	Double Ended
Cable Assembly Length	.5 m [1.64 ft]

### Product Compliance

[For compliance documentation, visit the product page on TE.com>](#)

EU RoHS Directive 2011/65/EU	Compliant
EU ELV Directive 2000/53/EC	Compliant
China RoHS 2 Directive MIIT Order No 32, 2016	No Restricted Materials Above Threshold
EU REACH Regulation (EC) No. 1907/2006	Current ECHA Candidate List: JUNE 2023 (235) Candidate List Declared Against: JAN 2023 (233) Does not contain REACH SVHC
Halogen Content	Not Low Halogen - contains Br or Cl > 900 ppm.
Solder Process Capability	Not applicable for solder process capability

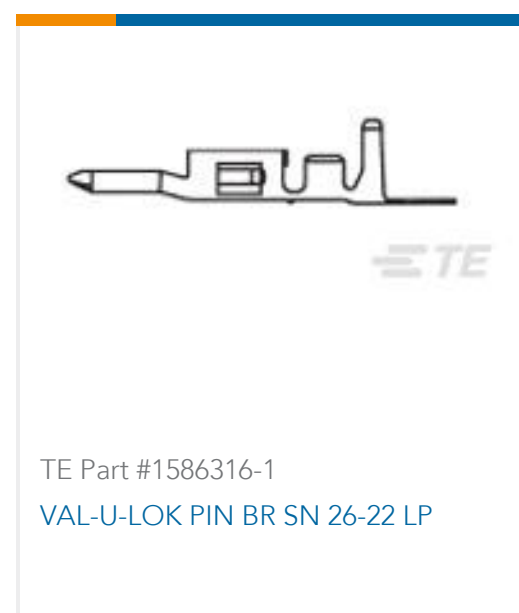
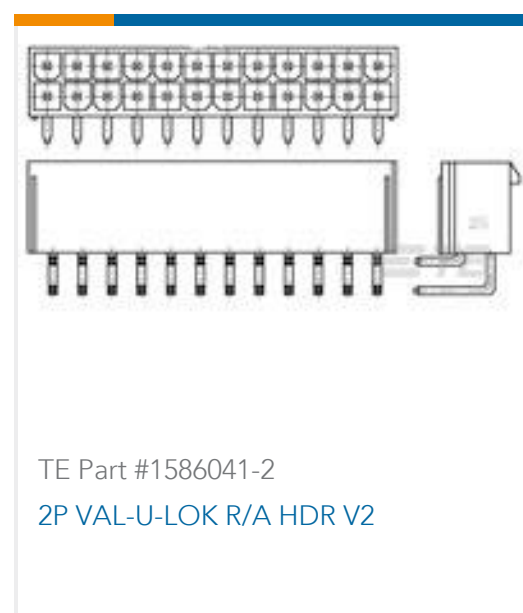
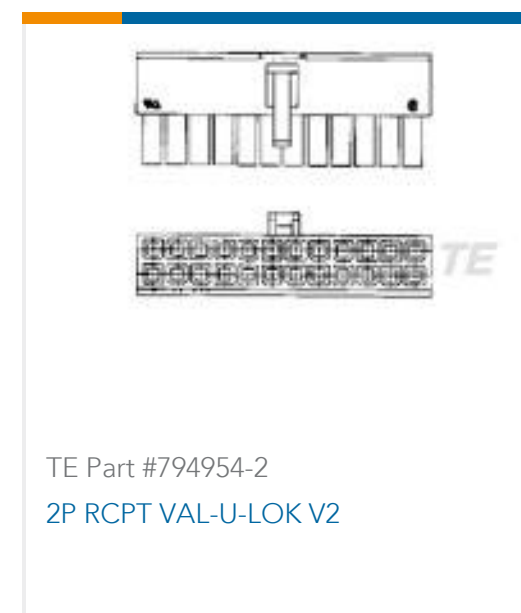
#### Product Compliance Disclaimer

This information is provided based on reasonable inquiry of our suppliers and represents our current actual knowledge based on the information they provided. This information is subject to change. The part numbers that TE has identified as EU RoHS compliant have a maximum concentration of 0.1% by weight in homogenous materials for lead, hexavalent chromium, mercury, PBB, PBDE, DBP, BBP, DEHP, DIBP, and 0.01% for cadmium, or qualify for an exemption to these limits as defined in the Annexes of Directive 2011/65/EU (RoHS2). Finished electrical and electronic equipment products will be CE marked as required by Directive 2011/65/EU. Components may not be CE marked. Additionally, the part numbers that TE has identified as EU ELV compliant have a maximum concentration of 0.1% by weight in homogenous materials for lead, hexavalent chromium, and mercury, and 0.01% for cadmium, or qualify for an exemption to these limits as defined in the Annexes of Directive 2000/53/EC (ELV). Regarding the REACH Regulation, the information TE provides on SVHC in articles for this part number is based on the latest European Chemicals Agency (ECHA) 'Guidance on requirements for substances in articles' posted at this URL: <https://echa.europa.eu/guidance-documents/guidance-on-reach>

### Compatible Parts



## Customers Also Bought



## Documents

### Product Drawings

C/A, INTERNAL HD MINI SAS, 100 OHM, STR

English

### CAD Files

3D PDF

3D

Customer View Model

ENG\_CVM\_CVM\_2820350-2\_C.2d\_dxf.zip



English

**Customer View Model**

[ENG\\_CVM\\_CVM\\_2820350-2\\_C.3d\\_igs.zip](#)

English

**Customer View Model**

[ENG\\_CVM\\_CVM\\_2820350-2\\_C.3d\\_stp.zip](#)

English

By downloading the CAD file I accept and agree to the [Terms and Conditions](#) of use.

## Product Specifications

[Product Specification](#)

English