



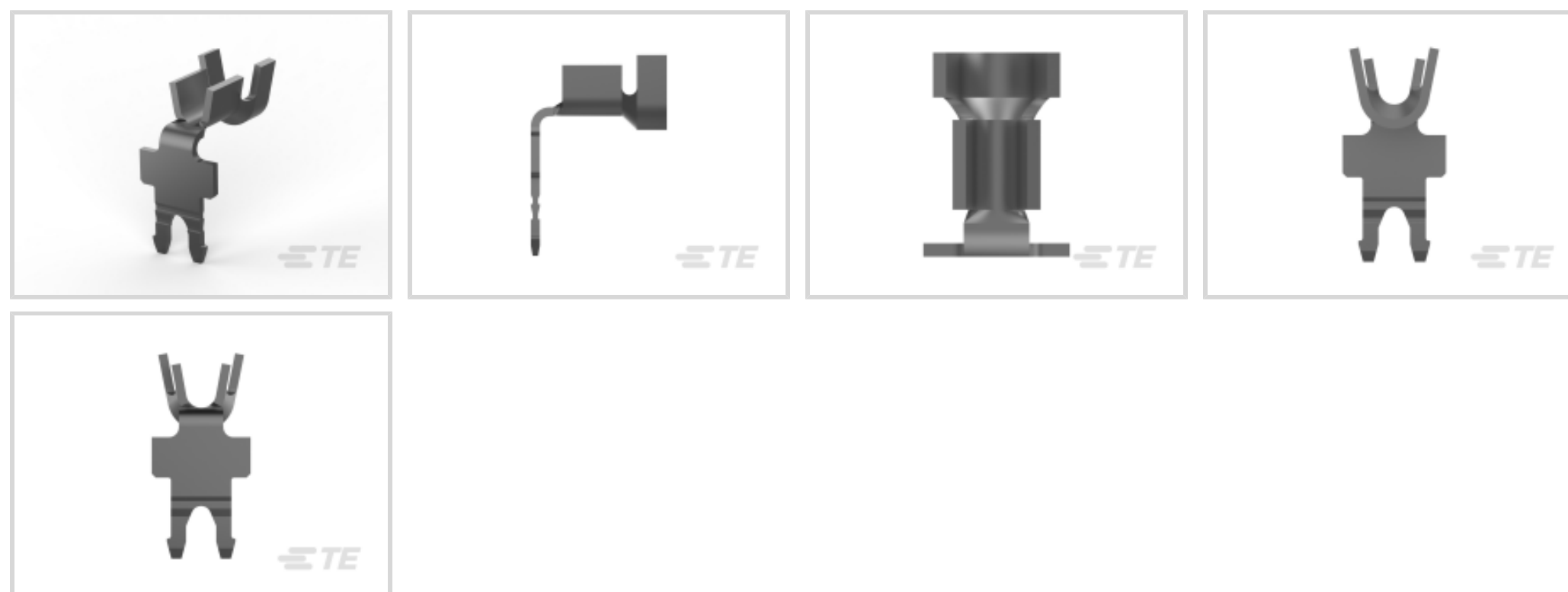
**MAG-MATE**

TE Internal #: 281622-2

Magnet Wire Terminals, Poke-In, Lead Wire Size 22 – 18 AWG,  
Lead Wire Size .326 – .8 mm<sup>2</sup>, Insulation Displacement (IDC) /  
Crimp, MAG-MATE

[View on TE.com >](#)

Terminals & Splices > Magnet Wire Terminals



Magnet Wire Terminal Type: **Poke-In**

Compatible Insulation Diameter (Max): **3 mm [ .118 in ]**

Compatible Insulation Diameter Range: **3 mm [ .118 in ]**

Lead Wire Size: **.326 – .8 mm<sup>2</sup>**

**Features**

**Product Type Features**

Compatible With Discrete Wire Type	Solid, Stranded
------------------------------------	-----------------

**Contact Features**

Magnet Wire Terminal Type	Poke-In
Terminal Plating Material	Tin
Terminal Orientation	Straight

**Termination Features**

Termination Method to Wire & Cable	Crimp, Insulation Displacement (IDC)
Crimp Area Length	7.9 mm[.31 in]

**Mechanical Attachment**

Wire Insulation Support	With
-------------------------	------

**Dimensions**

Terminal Height	3.27 mm[.129 in]
Compatible Insulation Diameter (Max)	3 mm[.118 in]
Compatible Insulation Diameter Range	3 mm[.118 in]



Lead Wire Size	.326 – .8 mm <sup>2</sup>
Stock Thickness (Magnet Wire Side)	.45 mm[.018 in]
Product Length	18.4 mm[.724 in]

### Usage Conditions

Insulation Option	Uninsulated
-------------------	-------------

### Operation/Application

Compatible With Wire Base Material	Copper
------------------------------------	--------

### Packaging Features

Packaging Method	Reel, Reel/Carton
------------------	-------------------

## Product Compliance

For compliance documentation, visit the product page on [TE.com](https://www.te.com)>

EU RoHS Directive 2011/65/EU	Compliant
EU ELV Directive 2000/53/EC	Compliant
China RoHS 2 Directive MIIT Order No 32, 2016	No Restricted Materials Above Threshold
EU REACH Regulation (EC) No. 1907/2006	Current ECHA Candidate List: JUNE 2023 (235) Candidate List Declared Against: JUNE 2023 (235) Does not contain REACH SVHC
Halogen Content	Low Halogen - Br, Cl, F, I < 900 ppm per homogenous material. Also BFR/CFR/PVC Free
Solder Process Capability	Not applicable for solder process capability

#### Product Compliance Disclaimer

This information is provided based on reasonable inquiry of our suppliers and represents our current actual knowledge based on the information they provided. This information is subject to change. The part numbers that TE has identified as EU RoHS compliant have a maximum concentration of 0.1% by weight in homogenous materials for lead, hexavalent chromium, mercury, PBB, PBDE, DBP, BBP, DEHP, DIBP, and 0.01% for cadmium, or qualify for an exemption to these limits as defined in the Annexes of Directive 2011/65/EU (RoHS2). Finished electrical and electronic equipment products will be CE marked as required by Directive 2011/65/EU. Components may not be CE marked. Additionally, the part numbers that TE has identified as EU ELV compliant have a maximum concentration of 0.1% by weight in homogenous materials for lead, hexavalent chromium, and mercury, and 0.01% for cadmium, or qualify for an exemption to these limits as defined in the Annexes of Directive 2000/53/EC (ELV). Regarding the REACH Regulation, the information TE provides on SVHC in articles for this part number is based on the latest European Chemicals Agency (ECHA) 'Guidance on requirements for substances in articles' posted at this URL: <https://echa.europa.eu/guidance-documents/guidance-on-reach>

## Compatible Parts




TE Part # 2305570-1  
Strip Terminal Cutter-Side Feed-No Crimp



TE Part # 1599986-1  
MAG MATE POKE-IN DUAL TAB



TE Part # 1217470-1  
TAB MAG-MATE POKE-IN 22-18



TE Part # 2-2836153-1  
OC-PA-S-FM-090F140F-001-0201



TE Part # 2-2836153-2  
OC-PA-S-FA-090F140F-001-0201



TE Part # 2836153-1  
OC-AT-S-FM-090F140F-001-0201




TE Part # 2836153-2  
OC-AT-S-FA-090F140F-001-0201



TE Part # 7-2836153-7  
OC-090F140F-CRIMPTOOLINGKIT

Also in the Series | **MAG-MATE**



Insertion & Extraction Tools(6)



Magnet Wire Terminals(435)



PCB Terminals(1)

Customers Also Bought



TE Part #1586000-4  
4P FH PLUG VAL-U-LOK V2




TE Part #281852-2  
PL 250 REC HSG 4P NYLON BLACK



TE Part #926882-1  
UMNL SOK 20-14 PTPBR



TE Part #293041-2  
FF 250 TAB 0.35-1.0MM2 TPBR



TE Part #62306-2  
AMVAR SPLC 1500-5000 020TPBR



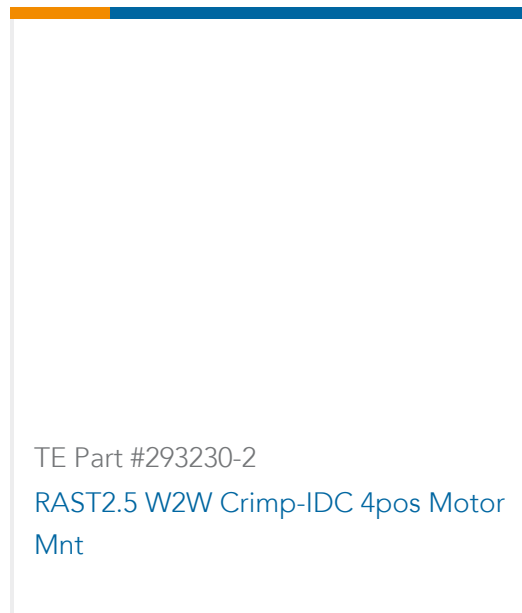
TE Part #350777-1  
02P UMNL PLUG HSG



TE Part #3-293041-2  
FASTIN FASTON 250 TAB 0.35-1.00 MM2 PTPBR



TE Part #459581-1  
BLADE SLUG



## Documents

### Product Drawings

[MAG-MATE TAB STD SNPL](#)

English

### CAD Files

[3D PDF](#)

3D

Customer View Model

[ENG\\_CVM\\_CVM\\_281622-2\\_D.2d\\_dxf.zip](#)

English

Customer View Model

[ENG\\_CVM\\_CVM\\_281622-2\\_D.3d\\_igs.zip](#)

English

Customer View Model

[ENG\\_CVM\\_CVM\\_281622-2\\_D.3d\\_stp.zip](#)

English

By downloading the CAD file I accept and agree to the [Terms and Conditions](#) of use.

### Datasheets & Catalog Pages

[Magnet Wire Terminals & Splices](#)

English

### Product Environmental Compliance

[Product Compliance Document](#)

English

[Product Compliance Document](#)

English