

280515 ✓ ACTIVE

AMPMODU | AMPMODU IV/V

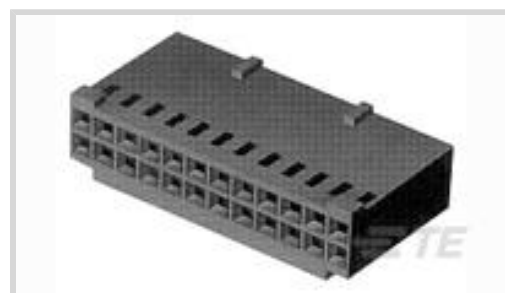
TE Internal #: 280515

Housing, Receptacle, Wire-to-Board, 24 Position, .1 in [2.54 mm]  
Centerline, Crimp, 2 Row, Black, Mating Retention, Wire & Cable,  
Signal, AMPMODU IV/V

[View on TE.com >](#)



Connectors > PCB Connectors > Wire-to-Board Connectors > Wire-to-Board Connector Assemblies & Housings



Connector Product Type: **Housing**

Connector & Housing Type: **Receptacle**

Connector System: **Wire-to-Board**

Number of Positions: **24**

Centerline (Pitch): **2.54 mm [.1 in]**

## Features

### Product Type Features

|                                   |               |
|-----------------------------------|---------------|
| Connector Product Type            | Housing       |
| Connector & Housing Type          | Receptacle    |
| Connector System                  | Wire-to-Board |
| Connector & Contact Terminates To | Wire & Cable  |

### Configuration Features

|                     |    |
|---------------------|----|
| Number of Positions | 24 |
| Number of Rows      | 2  |

### Body Features

|                       |       |
|-----------------------|-------|
| Primary Product Color | Black |
|-----------------------|-------|

### Contact Features

|                              |        |
|------------------------------|--------|
| Contact Layout               | Inline |
| Contact Type                 | Socket |
| Contact Current Rating (Max) | 3 A    |

### Termination Features

|                                    |       |
|------------------------------------|-------|
| Termination Method to Wire & Cable | Crimp |
|------------------------------------|-------|

### Mechanical Attachment

|                     |         |
|---------------------|---------|
| Panel Mount Feature | Without |
| PCB Mount Retention | With    |



|                         |                            |
|-------------------------|----------------------------|
| Mating Retention Type   | Detent Latching            |
| Mating Retention        | With                       |
| Connector Mounting Type | Cable Mount (Free-Hanging) |

### Housing Features

|                             |                              |
|-----------------------------|------------------------------|
| Housing Entry Configuration | Both Ends Closed             |
| Housing Material            | LCP (Liquid Crystal Polymer) |
| Centerline (Pitch)          | 2.54 mm[.1 in]               |

### Dimensions

|                    |                |
|--------------------|----------------|
| Connector Length   | 7.1 mm         |
| Connector Height   | 3.1 mm[.12 in] |
| Row-to-Row Spacing | 2.54 mm[.1 in] |

### Usage Conditions

|                             |                           |
|-----------------------------|---------------------------|
| Operating Temperature Range | -40 – 80 °C[-40 – 176 °F] |
|-----------------------------|---------------------------|

### Operation/Application

|                     |        |
|---------------------|--------|
| Circuit Application | Signal |
|---------------------|--------|

### Industry Standards

|                        |                               |
|------------------------|-------------------------------|
| Glow Wire Rating       | Standard Part - Not Glow Wire |
| UL Flammability Rating | UL 94V-0                      |

### Packaging Features

|                    |      |
|--------------------|------|
| Packaging Quantity | 1000 |
|--------------------|------|

### Product Compliance

For compliance documentation, visit the product page on [TE.com](https://www.te.com)>

|   |   |
|---|---|
| EU RoHS Directive 2011/65/EU                  | Compliant   |
| EU ELV Directive 2000/53/EC                   | Compliant   |
| China RoHS 2 Directive MIIT Order No 32, 2016 | No Restricted Materials Above Threshold   |
| EU REACH Regulation (EC) No. 1907/2006        | Current ECHA Candidate List: JUNE 2023 (235)<br>Candidate List Declared Against: JUNE 2023 (235)<br>Does not contain REACH SVHC |
| Halogen Content                               | Low Halogen - Br, Cl, F, I < 900 ppm per homogenous material. Also BFR/CFR/PVC Free   |

Solder Process Capability

Not applicable for solder process capability

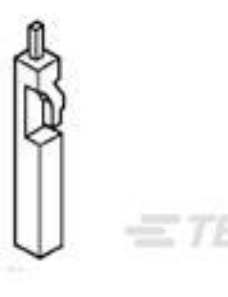
Product Compliance Disclaimer

This information is provided based on reasonable inquiry of our suppliers and represents our current actual knowledge based on the information they provided. This information is subject to change. The part numbers that TE has identified as EU RoHS compliant have a maximum concentration of 0.1% by weight in homogenous materials for lead, hexavalent chromium, mercury, PBB, PBDE, DBP, BBP, DEHP, DIBP, and 0.01% for cadmium, or qualify for an exemption to these limits as defined in the Annexes of Directive 2011/65/EU (RoHS2). Finished electrical and electronic equipment products will be CE marked as required by Directive 2011/65/EU. Components may not be CE marked. Additionally, the part numbers that TE has identified as EU ELV compliant have a maximum concentration of 0.1% by weight in homogenous materials for lead, hexavalent chromium, and mercury, and 0.01% for cadmium, or qualify for an exemption to these limits as defined in the Annexes of Directive 2000/53/EC (ELV). Regarding the REACH Regulation, the information TE provides on SVHC in articles for this part number is based on the latest European Chemicals Agency (ECHA) 'Guidance on requirements for substances in articles' posted at this URL: <https://echa.europa.eu/guidance-documents/guidance-on-reach>

### Compatible Parts



TE Part # 280522-2  
2X12P MODU II SHRD HDR, RT ANG, AU



TE Part # 87077-2  
MOD IV KEYING PLUG



TE Part # 280521-2  
2X12P MODU II SHRD HDR, ST, 0.38AU



TE Part # 280521-1  
2X12P AMPMODU II SHRD HDR, ST, TIN



TE Part # 181270-1  
AMP-MODU CONTACT



TE Part # 181270-2  
MOD II CONTACT L.P.



TE Part # 181270-3  
MOD 2 BUCHSE



TE Part # 280530-4  
MOD2 BUCHSE



TE Part # 280530-2  
AMP MODU MOD 2 CONT



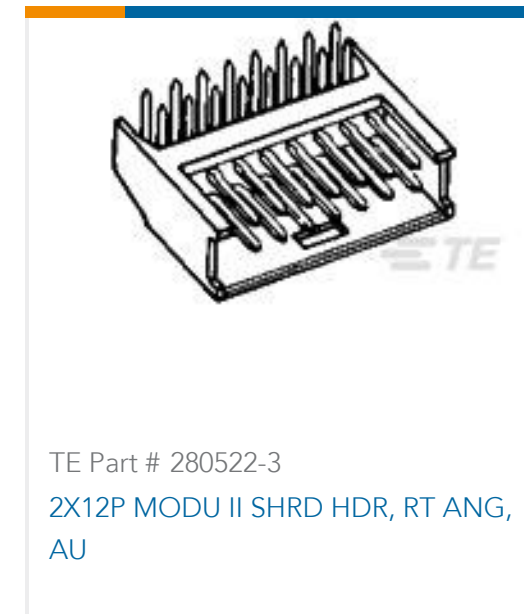
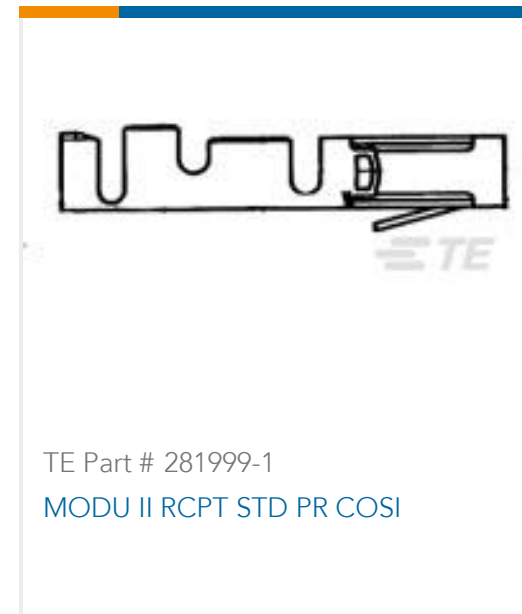
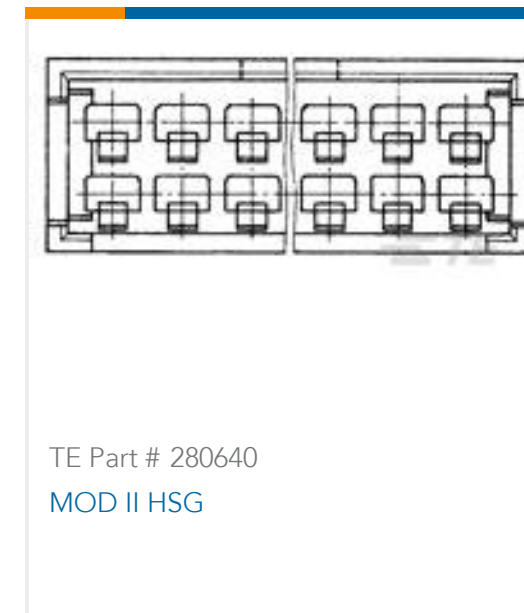
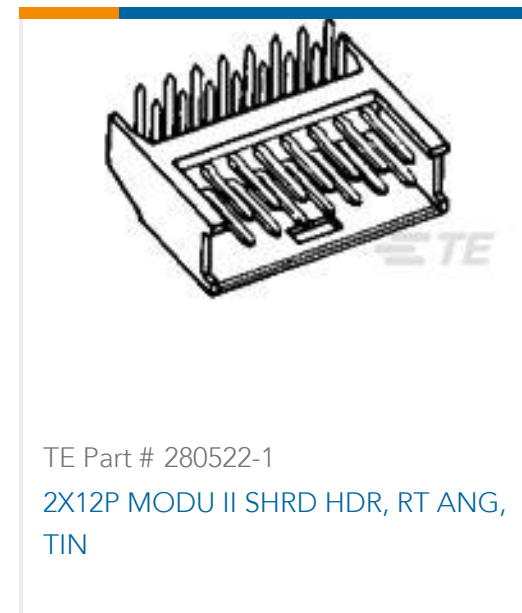
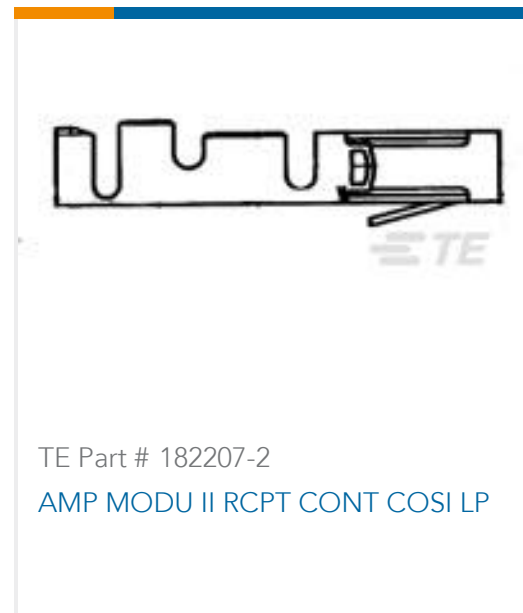
TE Part # 281556-2  
20AWG MOD 2 CRIMP TIN PLATE



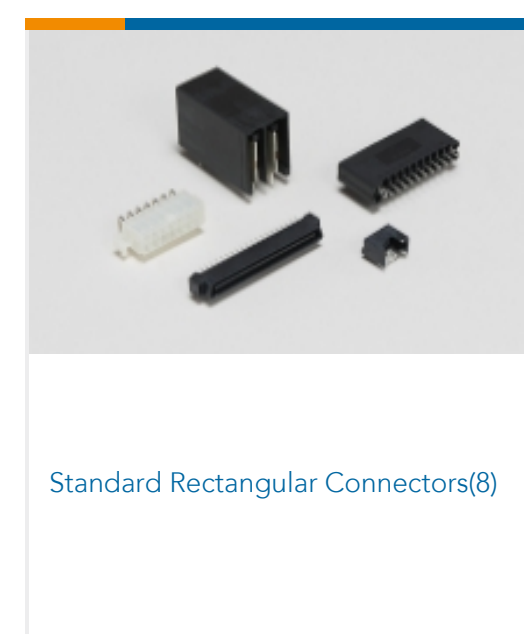
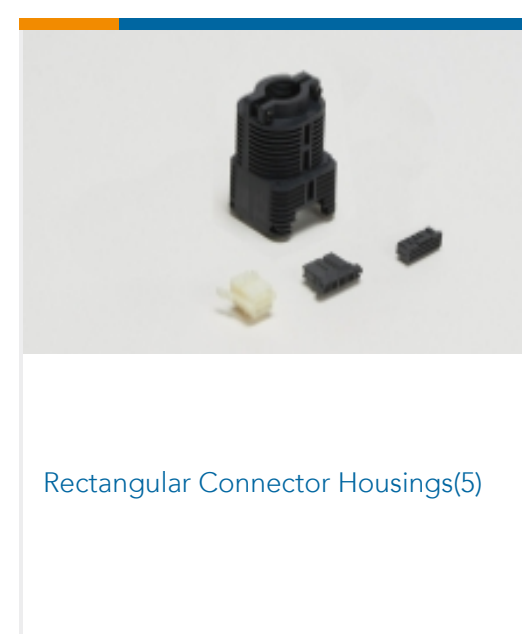
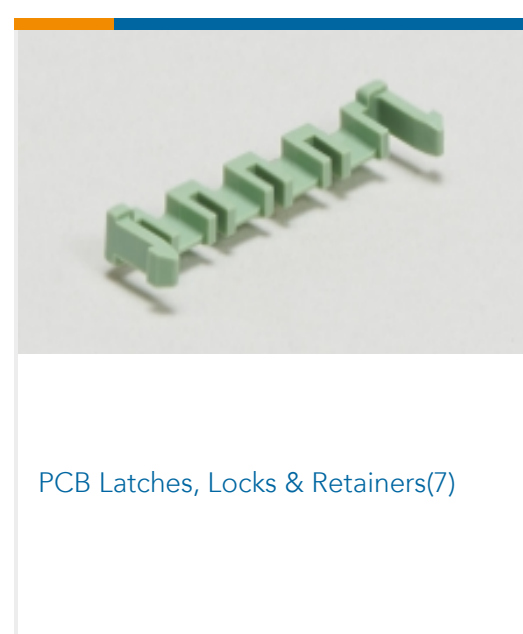
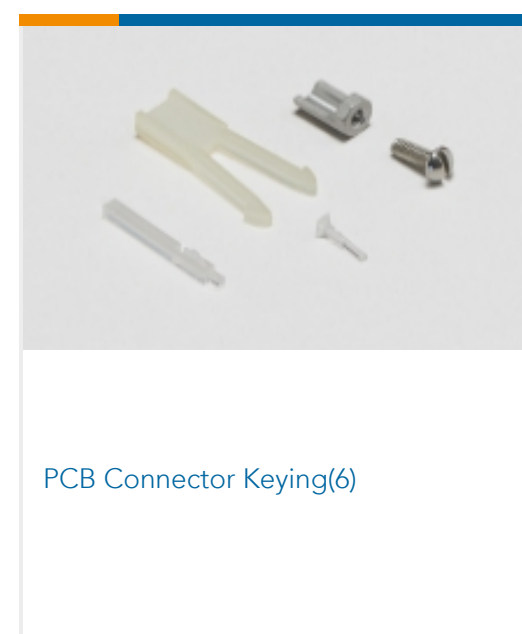
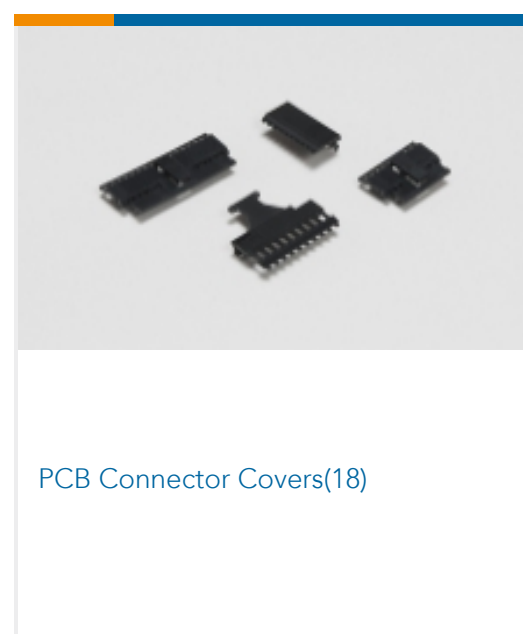
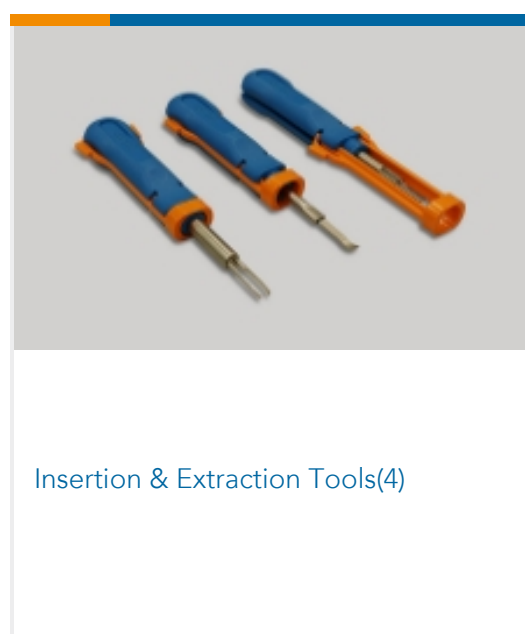
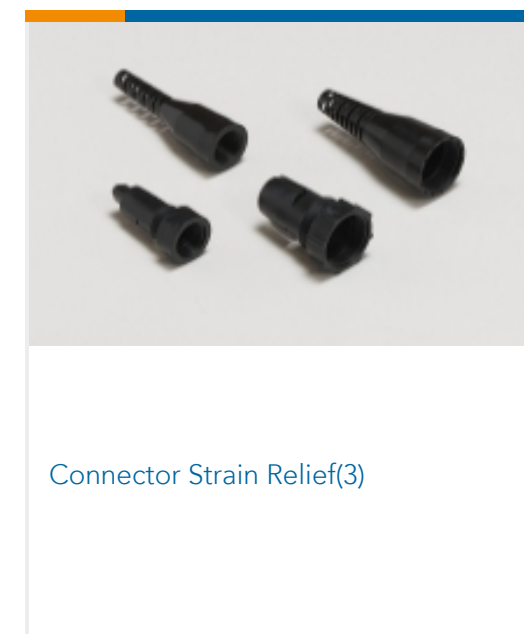
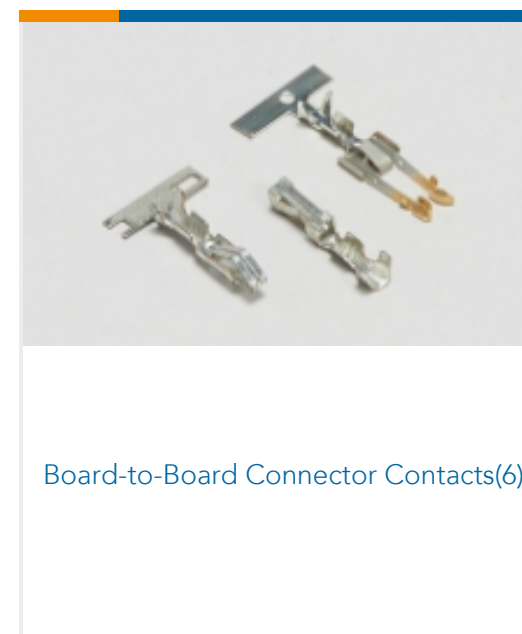
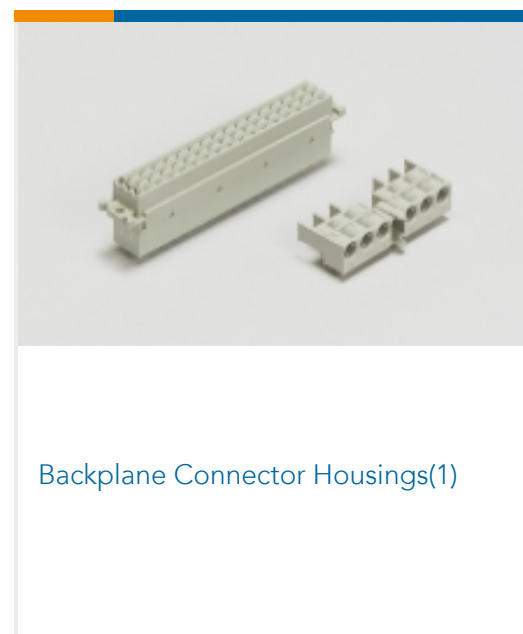
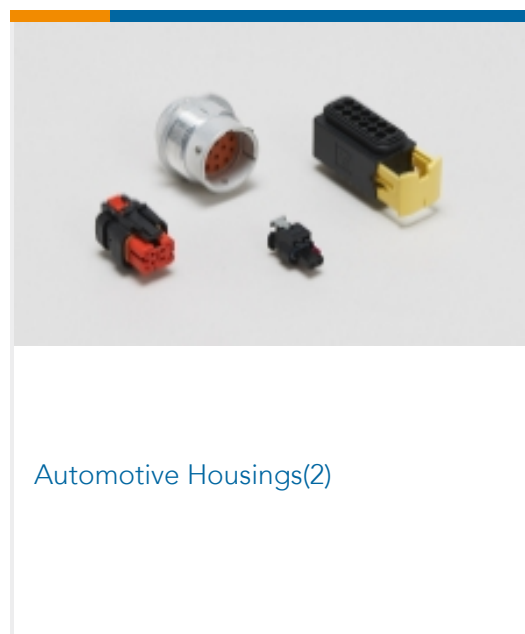
TE Part # 280530-1  
MOD II COSI RECP CONT STR PH-B



TE Part # 280708-2  
MOD 2 CONTACT



Also in the Series | AMPMODU IV/V





Wire-to-Board Connector Assemblies & Housings(447)

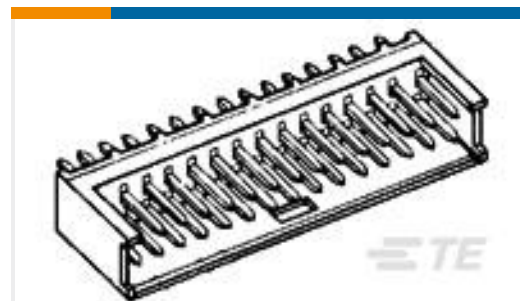


Wire-to-Board Connector Contacts (322)

## Customers Also Bought



TE Part #1-2176231-3  
3522 33R 1% 3W



TE Part #280509-2  
18 POS .100DR MODU-



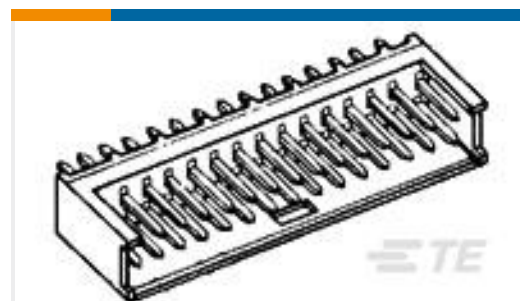
TE Part #280520-2  
12P AMPMODU II SHRD HDR, ST, 0.38 AU



TE Part #280514  
AMPMODU II REC. HSG, SINGLE ROW, 12 POS.



TE Part #280374-2  
10P AMPMODU II SHRD HDR, ST, 0.38 AU



TE Part #280521-1  
2X12P AMPMODU II SHRD HDR, ST, TIN



TE Part #280360  
AMPMODU II REC. HSG, SINGLE ROW 6 POS



TE Part #280359  
AMPMODU II REC. HSG, SINGLE ROW, 4 POS.



TE Part #1676386-2  
RN 0805 5K23 0.1% 10PPM 1KRL

## Documents

### Product Drawings

[AMPMODU II REC. HSG, DUAL ROW, 24 POS.](#)

English

### CAD Files

[3D PDF](#)

[3D](#)

[Customer View Model](#)

[ENG\\_CVM\\_CVM\\_280515\\_AA.2d\\_dxf.zip](#)

280515

Housing, Receptacle, Wire-to-Board, 24 Position, .1 in [2.54 mm] Centerline, Crimp, 2 Row, Black, Mating Retention, Wire & Cable, Signal, AMPMODU IV/V



English

Customer View Model

[ENG\\_CVM\\_CVM\\_280515\\_AA.3d\\_igs.zip](#)

English

Customer View Model

[ENG\\_CVM\\_CVM\\_280515\\_AA.3d\\_stp.zip](#)

English

By downloading the CAD file I accept and agree to the [Terms and Conditions](#) of use.

**Product Environmental Compliance**

[MD\\_280515\\_0622201690\\_dmtec](#)

English

[MD\\_280515\\_0622201690\\_dmtec](#)

English