



FASTIN-FASTON

TE Internal #: 280289

Relay Accessories, Sockets & Clips, Accessory, Polyamide, Panel, Protection Module

[View on TE.com >](#)

Relays, Contactors & Switches > Relays > Relay Accessories, Sockets & Clips



Relay Accessory, Socket & Clip Product Type: **Accessory**

Grounding Provision: **Without**

Relay Accessory, Socket & Clip Body Material: **Polyamide**

Relay Accessory, Socket & Clip Mounting Type: **Panel**

Relay Accessory Type: **Protection Module**

Features

Product Type Features

Relay Accessory, Socket & Clip Product Type	Accessory
Relay Accessory Type	Protection Module

Configuration Features

Grounding Provision	Without
---------------------	---------

Body Features

Relay Accessory, Socket & Clip Body Material	Polyamide
--	-----------

Mechanical Attachment

Relay Accessory, Socket & Clip Mounting Type	Panel
--	-------

Product Compliance

[For compliance documentation, visit the product page on TE.com>](#)

EU RoHS Directive 2011/65/EU	Compliant
EU ELV Directive 2000/53/EC	Compliant
China RoHS 2 Directive MIIT Order No 32, 2016	No Restricted Materials Above Threshold

EU REACH Regulation (EC) No. 1907/2006

Current ECHA Candidate List: JUNE 2023 (235)

Candidate List Declared Against: JUNE 2023 (235)

Does not contain REACH SVHC

Halogen Content

Low Halogen - Br, Cl, F, I < 900 ppm per homogenous material. Also BFR/CFR/PVC Free

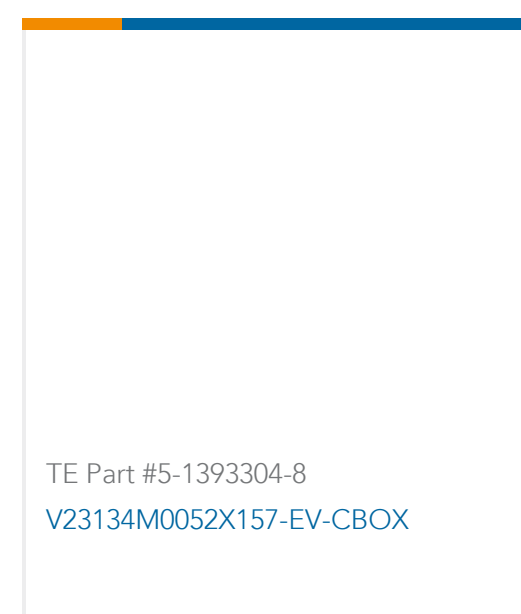
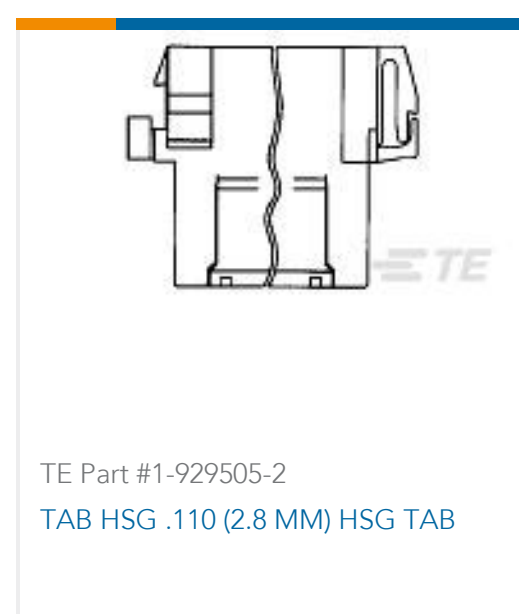
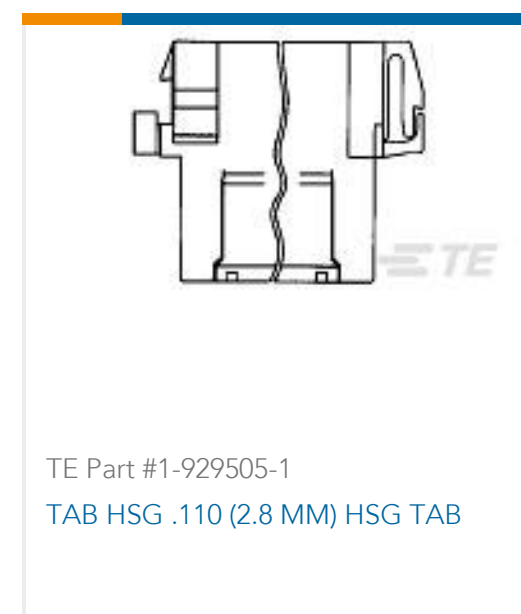
Solder Process Capability

Not reviewed for solder process capability

Product Compliance Disclaimer

This information is provided based on reasonable inquiry of our suppliers and represents our current actual knowledge based on the information they provided. This information is subject to change. The part numbers that TE has identified as EU RoHS compliant have a maximum concentration of 0.1% by weight in homogenous materials for lead, hexavalent chromium, mercury, PBB, PBDE, DBP, BBP, DEHP, DIBP, and 0.01% for cadmium, or qualify for an exemption to these limits as defined in the Annexes of Directive 2011/65/EU (RoHS2). Finished electrical and electronic equipment products will be CE marked as required by Directive 2011/65/EU. Components may not be CE marked. Additionally, the part numbers that TE has identified as EU ELV compliant have a maximum concentration of 0.1% by weight in homogenous materials for lead, hexavalent chromium, and mercury, and 0.01% for cadmium, or qualify for an exemption to these limits as defined in the Annexes of Directive 2000/53/EC (ELV). Regarding the REACH Regulation, the information TE provides on SVHC in articles for this part number is based on the latest European Chemicals Agency (ECHA) 'Guidance on requirements for substances in articles' posted at this URL: <https://echa.europa.eu/guidance-documents/guidance-on-reach>

Customers Also Bought



Documents

Product Drawings
MODULAR RELAY CONN.

English



CAD Files

3D PDF

3D

Customer View Model

[ENG_CVM_CVM_280289_S.2d_dxf.zip](#)

English

Customer View Model

[ENG_CVM_CVM_280289_S.3d_igs.zip](#)

English

Customer View Model

[ENG_CVM_CVM_280289_S.3d_stp.zip](#)

English

By downloading the CAD file I accept and agree to the [Terms and Conditions](#) of use.

Product Specifications

[FASTIN-FASTON CONN. .110 INCH, .187 INCH, .250 INCH, .375 INCH SRS.](#)

English

Product Specification

English

Product Environmental Compliance

TE Material Declaration

English