



Terminals & Splices > Terminal Housings, Insulation Sleeves & Blocks > Crimp Terminal Housings



Terminal Type: **Receptacle**

Connector & Housing Type: **Receptacle**

Number of Positions: **1**

Terminal Orientation: **Straight**

UL Flammability Rating: **UL 94V-2**

### Features

#### Product Type Features

|                                   |              |
|-----------------------------------|--------------|
| Sealable                          | No           |
| Connector & Contact Terminates To | Wire & Cable |
| Connector & Housing Type          | Receptacle   |

#### Configuration Features

|                     |   |
|---------------------|---|
| Number of Positions | 1 |
|---------------------|---|

#### Body Features

|                       |         |
|-----------------------|---------|
| Primary Product Color | Natural |
|-----------------------|---------|

#### Contact Features

|                          |            |
|--------------------------|------------|
| Terminal Type            | Receptacle |
| Terminal Orientation     | Straight   |
| Contact Mating Retention | Without    |

#### Mechanical Attachment

|                       |              |
|-----------------------|--------------|
| Mating Alignment Type | Polarization |
|-----------------------|--------------|

|                         |                            |
|-------------------------|----------------------------|
| Mating Alignment        | With                       |
| Connector Mounting Type | Cable Mount (Free-Hanging) |

### Housing Features

|                  |           |
|------------------|-----------|
| Housing Material | Polyamide |
|------------------|-----------|

### Dimensions

|                |                          |
|----------------|--------------------------|
| Product Width  | 9.5 mm                   |
| Product Length | 25.3 mm[.996 in]         |
| Wire Size      | .8 – 2.5 mm <sup>2</sup> |

### Usage Conditions

|                             |                            |
|-----------------------------|----------------------------|
| Operating Temperature Range | -40 – 105 °C[-40 – 221 °F] |
|-----------------------------|----------------------------|

### Industry Standards

|                        |          |
|------------------------|----------|
| UL Flammability Rating | UL 94V-2 |
|------------------------|----------|

### Packaging Features

|                  |        |
|------------------|--------|
| Packaging Method | Carton |
|------------------|--------|

## Product Compliance

[For compliance documentation, visit the product page on TE.com>](#)

|   |   |
|---|---|
| EU RoHS Directive 2011/65/EU                  | Compliant   |
| EU ELV Directive 2000/53/EC                   | Compliant   |
| China RoHS 2 Directive MIIT Order No 32, 2016 | No Restricted Materials Above Threshold   |
| EU REACH Regulation (EC) No. 1907/2006        | Current ECHA Candidate List: JUNE 2023 (235)<br>Candidate List Declared Against: JUNE 2023 (235)<br>Does not contain REACH SVHC |
| Halogen Content                               | Not Low Halogen - contains Br or Cl > 900 ppm.  |
| Solder Process Capability                     | Not applicable for solder process capability  |

#### Product Compliance Disclaimer

This information is provided based on reasonable inquiry of our suppliers and represents our current actual knowledge based on the information they provided. This information is subject to change. The part numbers that TE has identified as EU RoHS compliant have a maximum concentration of 0.1% by weight in homogenous materials for lead, hexavalent chromium, mercury, PBB, PBDE, DBP, BBP, DEHP, DIBP, and 0.01% for cadmium, or qualify for an exemption to these limits as defined in the Annexes of Directive 2011/65/EU (RoHS2). Finished electrical and electronic equipment products will be CE marked as required by Directive 2011/65/EU. Components may not be CE marked. Additionally, the part numbers that TE has identified as EU ELV compliant have a maximum concentration of 0.1% by weight in homogenous materials for lead, hexavalent chromium, and mercury, and 0.01% for cadmium, or qualify for an exemption to these limits as defined in the Annexes of Directive 2000/53/EC (ELV). Regarding the REACH Regulation, the information TE provides

on SVHC in articles for this part number is based on the latest European Chemicals Agency (ECHA) 'Guidance on requirements for substances in articles' posted at this URL: <https://echa.europa.eu/guidance-documents/guidance-on-reach>

## Compatible Parts

TE Part # 2-180930-1  
250 FASTON HSG.,REC.,1 POS,RED

TE Part # 2238173-3  
250 FASTON,REC.,22-12 AWG,TPBR

TE Part # 2-180930-5  
250 FASTON HSG.,REC.,1 POS,BLACK

TE Part # 2-180930-0  
250 FASTON HSG.,REC.,1 POS, NATRUAL

TE Part # 969518-2  
250 FASTON HSG. REC. 1P NATURAL

TE Part # 2133857-3  
250 FASTON HSG.,FLAG,REC.,1 POS, BLACK

TE Part # 2238196-3  
FASTON 250 STD REC STR 18-14TPBR

TE Part # 881339-2  
SLEEVE FOR .250 SRS FASTON TAB

TE Part # 881339-3  
SLEEVE FOR .250 SRS FASTON TAB

## Also in the Series | FASTON 250

Compression Connectors(4)

Crimp Terminal Housings(142)

Insertion & Extraction Tools(6)

Magnet Wire Terminals(1)



PCB Terminals(135)

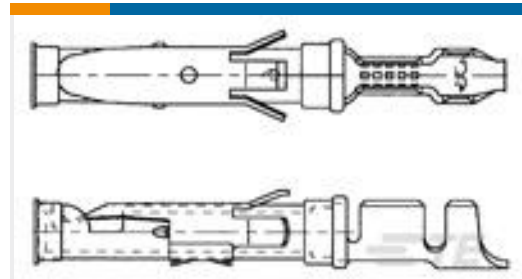
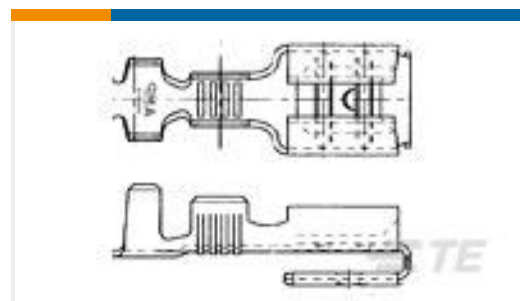
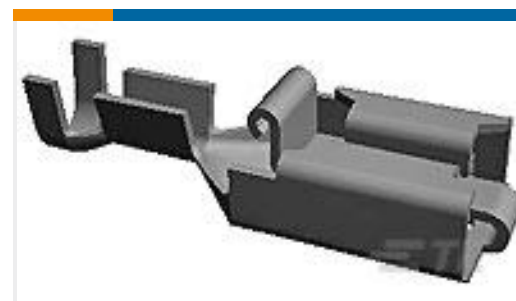
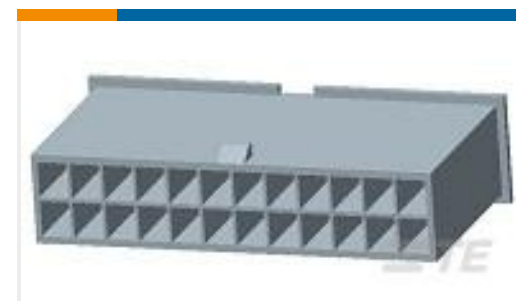
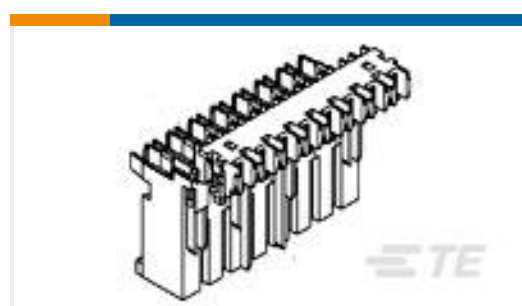
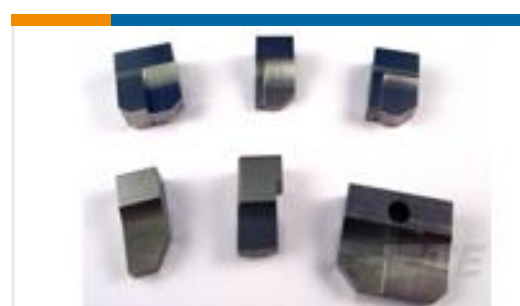


Quick Disconnects(445)



Splices(4)

## Customers Also Bought

TE Part #1-163084-0  
SPEC. PLATEDTE Part #350669-1  
UMNL GRND PIN 20-14 PTPBR L/PTE Part #5-160321-2  
FASTON 110 REC 22-20 AWG  
ELECTRO TPBRTE Part #7-1393239-5  
RT31L024TE Part #745508-3  
FERRULE SPLIT RING, HDTE Part #160739-2  
250 FASTON,PIGGYBACK REC.,18-14  
AWG,TPBRTE Part #160831-3  
250 PL MKI REC. 17-13AWG TPBRTE Part #1-1969612-0  
10P FH PLUG VAL-U-LOK V0TE Part #1-282002-4  
MONO-SHAPE MK I CONN. ASSY  
TAB 2PTE Part #1633917-1  
ANVIL COMBINATION

## Documents

### Product Drawings

250 FASTON POST INS.,REC.,1 POS,NATRUAL

English

### CAD Files

3D PDF

3D

### Customer View Model

ENG\_CVM\_CVM\_280232-8\_W.2d\_dxf.zip



English

**Customer View Model**

[ENG\\_CVM\\_CVM\\_280232-8\\_W.3d\\_igs.zip](#)

English

**Customer View Model**

[ENG\\_CVM\\_CVM\\_280232-8\\_W.3d\\_stp.zip](#)

English

By downloading the CAD file I accept and agree to the [Terms and Conditions](#) of use.