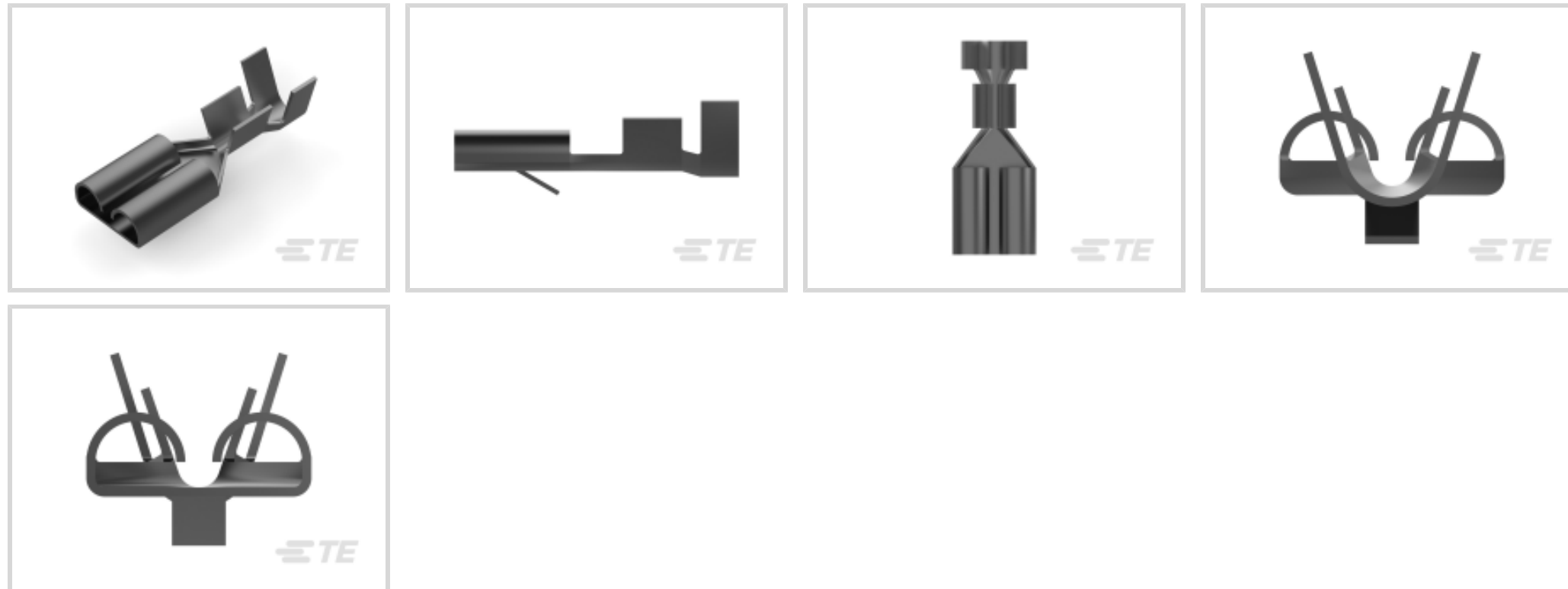




Terminals & Splices > Quick Disconnects



Quick Disconnect Terminal Type: **Receptacle**

Wire Size: 1.03 – 2.62 mm²

Mating Tab Width: 6.35 mm [.25 in]

Mating Tab Thickness: .81 mm [.032 in]

Features

Product Type Features

Insertion Force	Normal
-----------------	--------

Configuration Features

Connection Capacity	Single
Compatible With Wire & Cable Type	Discrete Wire

Contact Features

Quick Disconnect Terminal Type	Receptacle
Mating Tab Width	6.35 mm [.25 in]
Mating Tab Thickness	.81 mm [.032 in]
Terminal Orientation	Straight
Contact Base Material	Phosphor Bronze
Terminal Plating Material	Tin
Crimp Type	F-Crimp
Barrel Type	Open

Termination Features

--	--



Product Terminates To	Wire & Cable
-----------------------	--------------

Mechanical Attachment

Wire Insulation Support	With
Mating Retention Type	Locking Lance

Dimensions

Terminal Material Thickness	.41 mm[.016 in]
Product Length	19.6 mm[.771 in]
Compatible Insulation Diameter Range	3.1 – 4.1 mm[.12 – .16 in]
Wire Size	1.03 – 2.62 mm ²

Usage Conditions

Insulation Option	Uninsulated
Operating Temperature Range	-40 – 110 °C[-40 – 230 °F]

Packaging Features

Packaging Quantity	4000
Packaging Method	Strip/Reel

Other

Terminals & Splices Comment	"According to DIN 46340, Part 3", Chamfered
-----------------------------	--

Product Compliance

[For compliance documentation, visit the product page on TE.com>](#)

EU RoHS Directive 2011/65/EU	Compliant
EU ELV Directive 2000/53/EC	Compliant
China RoHS 2 Directive MIIT Order No 32, 2016	No Restricted Materials Above Threshold
EU REACH Regulation (EC) No. 1907/2006	Current ECHA Candidate List: JUNE 2023 (235) Candidate List Declared Against: JUNE 2023 (235) Does not contain REACH SVHC
Halogen Content	Low Halogen - Br, Cl, F, I < 900 ppm per homogenous material. Also BFR/CFR/PVC Free
Solder Process Capability	Not applicable for solder process capability

Product Compliance Disclaimer

This information is provided based on reasonable inquiry of our suppliers and represents our current actual knowledge based on the information they provided. This information is subject to change. The part numbers that TE has identified as EU RoHS compliant have a maximum concentration of 0.1% by weight in homogenous materials for lead, hexavalent chromium, mercury, PBB, PBDE, DBP, BBP, DEHP, DIBP, and 0.01% for cadmium, or qualify for an exemption to these limits as defined in the Annexes of Directive 2011/65/EU (RoHS2). Finished electrical and electronic equipment products will be CE marked as required by Directive 2011/65/EU. Components may not be CE marked. Additionally, the part numbers that TE has identified as EU ELV compliant have a maximum concentration of 0.1% by weight in homogenous materials for lead, hexavalent chromium, and mercury, and 0.01% for cadmium, or qualify for an exemption to these limits as defined in the Annexes of Directive 2000/53/EC (ELV). Regarding the REACH Regulation, the information TE provides on SVHC in articles for this part number is based on the latest European Chemicals Agency (ECHA) 'Guidance on requirements for substances in articles' posted at this URL: <https://echa.europa.eu/guidance-documents/guidance-on-reach>

Compatible Parts



REPRESENTATION ONLY

TE Part # 720725-1
DAHT 250 FASTIN-ON TAB REC 18-14 ASSY



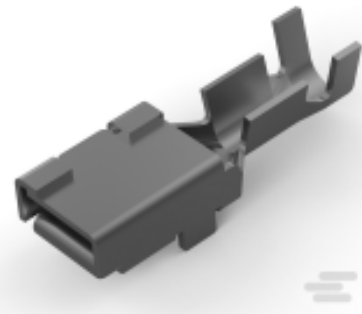
TE Part # 1-1579007-4
EXTRACTION TOOL



TE Part # 4-1579007-3
EXTRACTION TOOL KIT



TE Part # 175042-1
FF 187 REC 2-3MM2 PTBR



TE Part # 175040-1
FF 187 REC 0.5-1.25MM2 PTBR



TE Part # 160920-4
FF 312 REC 2.5-4MM2 TPPB



TE Part # 180398-2
FF 250 REC 1-2.5MM2 TPBR



TE Part # 180398-5
FF 250 REC 1-2.5MM2 TPPB



TE Part # 2150843-1
OCEAN_2.0_Applicator-E-100F180F



TE Part # 2150843-2
OCEAN_2.0_Applicator-E-100F180F



TE Part # 281197-5
FF 187 REC 1.0-2.5MM2 PTBR (RE REELING)




TE Part # 281197-6
FF 187 REC 1.0-2.5MM2 PTBR



TE Part # 7-2150843-1
OCEAN_2.0_Applicator-E-100F180F



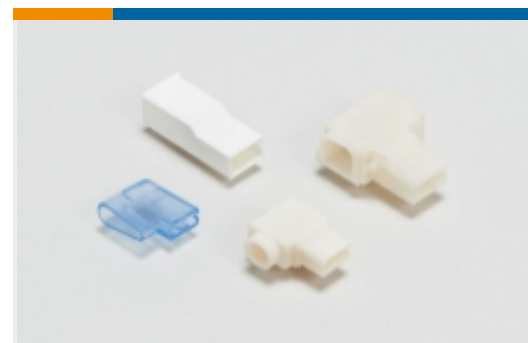
TE Part # 7-2150843-2
OCEAN_2.0_Applicator-E-100F180F



KIT REPRESENTATION ONLY

TE Part # 7-2150843-7
OCEAN_2.0_SPARE_PART_KIT-100F180F

Also in the Series | FASTIN-FASTON 250



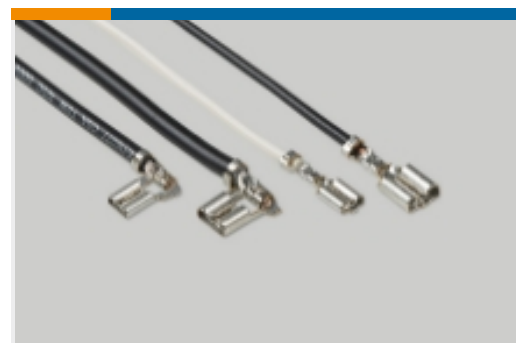
Crimp Terminal Housings(211)



Insertion & Extraction Tools(2)

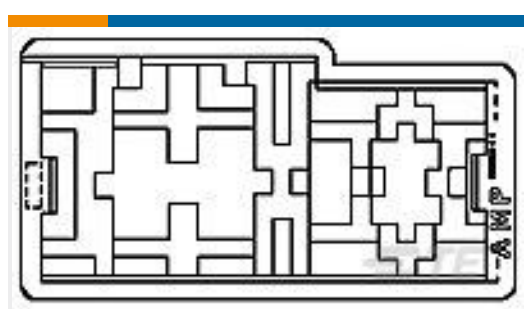
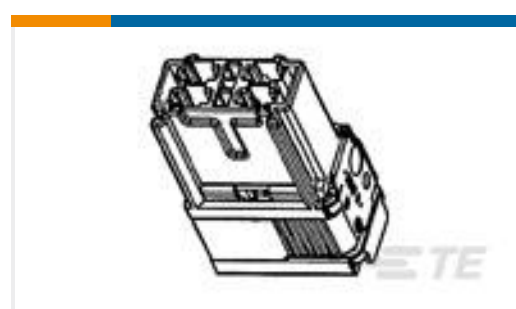
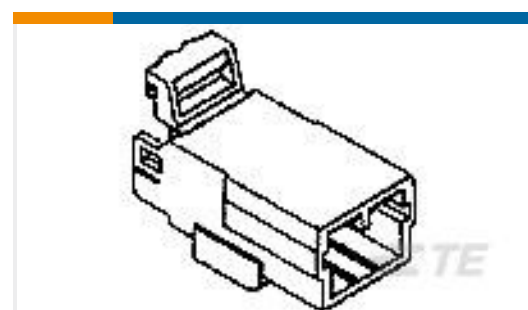


PCB Terminals(2)



Quick Disconnects(254)

Customers Also Bought

TE Part #928962-4
FF 250 TAB 17-13 AWG .016 TPBRTE Part #160917-4
FF 250 REC 1-2.5MM2 TPPBTE Part #1-2112780-9
18POS, MIXED, REC HSG, ASSY,
SEALEDTE Part #282379-1
070 SERIES TAB CONTACTTE Part #280771
FF 250 & 375 REC HSG 2P NYLON
NATTE Part #280924
FF 250 & 375 TAB HSG 2P NYLON
NATTE Part #160914-4
FF 250 REC 4-6MM2 TPPBTE Part #1544148-1
PORTE LANGUETTE ETTE Part #174928-1
070 MLC W-W CAP HSG 3P NATURALTE Part #1544218-1
LANGUETTE 6,3 NG1

Documents

Product Drawings

[FF 250 REC 1-2.5MM2 TPPB](#)

English

CAD Files

[Customer View Model](#)

[ENG_CVM_CVM_280098-2_L.2d_dxf.zip](#)



English

[3D PDF](#)

3D

Customer View Model

[ENG_CVM_CVM_280098-2_L.3d_igs.zip](#)

English

Customer View Model

[ENG_CVM_CVM_280098-2_L.3d_stp.zip](#)

English

By downloading the CAD file I accept and agree to the [Terms and Conditions](#) of use.

Datasheets & Catalog Pages

[1654742_HOUSEHOLD_APPLIANCES_RAST5](#)

English

Product Specifications

[FASTIN-FASTON CONN. .110 INCH, .187 INCH, .250 INCH, .375 INCH SRS.](#)

English

[Product Specification](#)

English

Product Environmental Compliance

[Product Compliance](#)

English

[Product Compliance](#)

English