



**AMPLIVAR**

TE Internal #: 280007-2

Splices, Pigtail Splice, 22 – 15 AWG Wire Size, .3 – 1.5 mm<sup>2</sup> Wire Size, Splice Capacity 3, Serrated, AMPLIVAR

[View on TE.com >](#)

Terminals & Splices > Splices



Wire Size: .3 – 1.5 mm<sup>2</sup>

Sealable: No

Splice Capacity: 3

Splice Features: Serrated

**Features**

**Product Type Features**

Sealable	No
Splice Type	Pigtail Splice
Compatible With Discrete Wire Type	Magnet Wire, Solid

**Configuration Features**

Strip Orientation	End Feed
Splice Capacity	3
Number of Serrations	7

**Electrical Characteristics**

Operating Voltage	250 V
-------------------	-------

**Body Features**

Product Weight	.233 g
Splice Features	Serrated

**Contact Features**

Terminal Plating Material	Tin
Contact Base Material	Brass



Barrel Type	Open
-------------	------

### Mechanical Attachment

Wire Insulation Support	Without
-------------------------	---------

### Dimensions

Wire Size	600 – 3000 CMA
Barrel Inside Diameter	1.66 mm[.065 in]
Terminal Material Thickness	.51 mm[.02 in]
Product Length	5.72 mm[.225 in]

### Usage Conditions

Insulation Option	Uninsulated
Operating Temperature Range	-65 – 150 °C[-85 – 302 °F]

### Operation/Application

Compatible With Wire Base Material	Aluminum, Copper
------------------------------------	------------------

### Industry Standards

Government Qualified Splice	No
-----------------------------	----

### Packaging Features

Packaging Quantity	30000
Packaging Method	Strip

### Other

Terminals & Splices Comment	AMPLIVAR splices with special serration depth for special application.
-----------------------------	--

## Product Compliance

[For compliance documentation, visit the product page on TE.com>](#)

EU RoHS Directive 2011/65/EU	Compliant
EU ELV Directive 2000/53/EC	Compliant
China RoHS 2 Directive MIIT Order No 32, 2016	No Restricted Materials Above Threshold
EU REACH Regulation (EC) No. 1907/2006	Current ECHA Candidate List: JUNE 2023 (235) Candidate List Declared Against: JUNE 2023 (235) Does not contain REACH SVHC
Halogen Content	Low Halogen - Br, Cl, F, I < 900 ppm per homogenous material. Also BFR/CFR/PVC

Free

Solder Process Capability

Not applicable for solder process capability

Product Compliance Disclaimer

This information is provided based on reasonable inquiry of our suppliers and represents our current actual knowledge based on the information they provided. This information is subject to change. The part numbers that TE has identified as EU RoHS compliant have a maximum concentration of 0.1% by weight in homogenous materials for lead, hexavalent chromium, mercury, PBB, PBDE, DBP, BBP, DEHP, DIBP, and 0.01% for cadmium, or qualify for an exemption to these limits as defined in the Annexes of Directive 2011/65/EU (RoHS2). Finished electrical and electronic equipment products will be CE marked as required by Directive 2011/65/EU. Components may not be CE marked. Additionally, the part numbers that TE has identified as EU ELV compliant have a maximum concentration of 0.1% by weight in homogenous materials for lead, hexavalent chromium, and mercury, and 0.01% for cadmium, or qualify for an exemption to these limits as defined in the Annexes of Directive 2000/53/EC (ELV). Regarding the REACH Regulation, the information TE provides on SVHC in articles for this part number is based on the latest European Chemicals Agency (ECHA) 'Guidance on requirements for substances in articles' posted at this URL: <https://echa.europa.eu/guidance-documents/guidance-on-reach>

### Compatible Parts



TE Part # 1217384-1  
AMVAR SPL 600-3000 7 SERR TPBR



TE Part # 1742324-2  
AMVAR STAKE SPLICE 020TPBR



TE Part # 1-141175-2  
AMPLIVAR SPL 5 SERR



TE Part # 1-141175-3  
SPICE AMPLIVAR



TE Part # 170152-2  
AMPLIVAR SPLICE STR



TE Part # 170152-4  
AMP SPLICE



TE Part # 2-2150065-2  
OCEAN\_2.0\_Applicator-E-110F



TE Part # 2150065-2  
OCEAN\_2.0\_Applicator-E-110F



TE Part # 7-2150065-2  
OCEAN\_2.0\_Applicator-E-110F



**KIT**  
TE Part # 7-2150065-7  
OCEAN\_2.0\_SPARE\_PART\_KIT-110F



TE Part # 1893393-1  
Mini Applicator Splice-EF-Butt

Also in the Series | **AMPLIVAR**



Crimp Wire Pins, Tabs & Ferrules(5)



Magnet Wire Terminals(4)



PCB Terminals(1)



Quick Disconnects(41)



Ring Terminals(28)

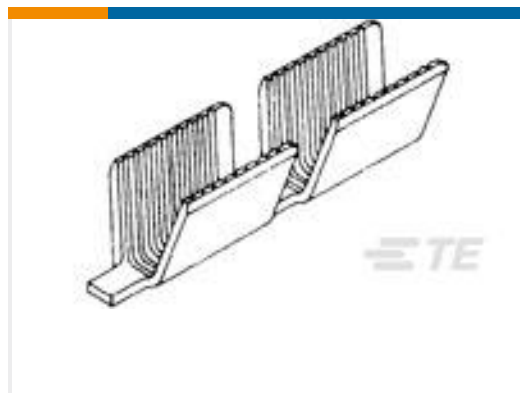


Splices(77)

## Customers Also Bought



TE Part #160181-2  
RING TONGUE IS 3.1-5.3 MM2 TPBR



TE Part #62309-2  
AMVAR SPLC 5000-10000 025TPBR



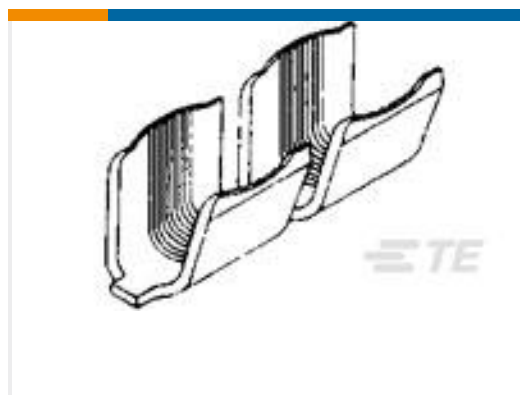
TE Part #T4111001081-000  
M12,MALE,STRAIGHT,A CODE,8P, PG7,GOLD



TE Part #4-280050-1  
250 FASTON,FLAG,REC.,16-20 AWG, BR



TE Part #1-100605-2  
250 FASTON,REC.,14-17AWG,PTPB



TE Part #280003-2  
AMPLIVAR SPLICE



TE Part #1-2265037-2  
Cable assy, MiniSuperseal to wire pin



TE Part #1-2265038-2  
Cable assy,Superseal to wire pin

## Documents

### Product Drawings

[AMPLIVAR SPLICE TIN PLATED](#)

English

### CAD Files

[3D PDF](#)

[3D](#)

[Customer View Model](#)

[ENG\\_CVM\\_CVM\\_280007-2\\_S.2d\\_dxf.zip](#)



English

Customer View Model

[ENG\\_CVM\\_CVM\\_280007-2\\_S.3d\\_igs.zip](#)

English

Customer View Model

[ENG\\_CVM\\_CVM\\_280007-2\\_S.3d\\_stp.zip](#)

English

By downloading the CAD file I accept and agree to the [Terms and Conditions](#) of use.

---

## Datasheets & Catalog Pages

[Magnet Wire Terminals & Splices](#)

English

---

## Product Specifications

[Application Specification](#)

English

[AMPLIVAR 7 Serration Pigtail Splice](#)

English

---

## Product Environmental Compliance

[TE Material Declaration](#)

English