

937926006 ✓ ACTIVE

DEUTSCH | SRC

TE Internal #: 2500021-1

Housing for Male Terminals, Wire-to-Wire, 6 / 60 Position, .157 in [4 mm] Centerline, Sealable, Black, Wire & Cable, Power & Signal, Panel Mount, SRC

[View on TE.com >](#)



Connectors > Automotive Connectors > Automotive Housings



Connector System: **Wire-to-Wire**

Number of Positions: **6, 60**

Connector & Housing Type: **Housing for Male Terminals**

Centerline (Pitch): **4 mm [.157 in]**

Sealable: **Yes**

Features

Product Type Features

Mixed & Hybrid Connector	Yes
Connector Shape	Rectangular
Connector System	Wire-to-Wire
Connector & Housing Type	Housing for Male Terminals
Sealable	Yes
Connector & Contact Terminates To	Wire & Cable

Configuration Features

Number of Positions	6, 60
Number of Rows	12

Electrical Characteristics

Operating Voltage	555 VAC
Nominal Voltage Architecture	48 V

Body Features

Cable Exit Angle	180°
Primary Product Color	Black

Contact Features

Contact Current Rating (Max)	15 A, 40 A
------------------------------	------------



Mechanical Attachment

Terminal Position Assurance	Yes
Strain Relief	Add By Accessory
Mating Alignment Type	Polarization Slot
Mating Alignment	With
Connector Mounting Type	Panel Mount

Housing Features

Housing Material	PA
Centerline (Pitch)	4 mm [.157 in]

Dimensions

Connector Height	61.6 mm [2.42 in]
Product Width	64.5 mm [2.53 in]
Product Length	134 mm [5.27 in]
Row-to-Row Spacing	13.4 mm, 7.35 mm [.289 in] [.528 in]

Usage Conditions

Operating Temperature (Max)	125 °C [257 °F]
Operating Temperature Range	-40 – 125 °C [-40 – 257 °F]

Operation/Application

Circuit Application	Power & Signal
---------------------	----------------

Industry Standards

Degree of Protection	IP68, IP69K
Agency/Standard	SAE J2030
UL Flammability Rating	UL 94HB

Packaging Features

Packaging Quantity	36
Packaging Method	Carton, Tray

Other

Serviceable	Yes
Connector Position Assurance Capable	No

Product Compliance

[For compliance documentation, visit the product page on TE.com>](#)



EU RoHS Directive 2011/65/EU	Compliant
EU ELV Directive 2000/53/EC	Compliant
China RoHS 2 Directive MIIT Order No 32, 2016	No Restricted Materials Above Threshold
EU REACH Regulation (EC) No. 1907/2006	Current ECHA Candidate List: JUNE 2023 (235) Candidate List Declared Against: JUNE 2023 (235) SVHC > Threshold: Octamethylcyclotetrasiloxane (D4) (.11% in Component Part) Dodecamethylcyclohexasiloxane (D6) (.11% in Component Part) Decamethylcyclopentasiloxane (D5) (.11% in Component Part) Article Safe Usage Statements: Wash thoroughly after handling. Recycle if possible and dispose of the article by following all applicable governmental regulations relevant to your geographic location.
Halogen Content	BFR/CFR/PVC Free, but Br/Cl >900 ppm in other sources.
Solder Process Capability	Not reviewed for solder process capability

Product Compliance Disclaimer

This information is provided based on reasonable inquiry of our suppliers and represents our current actual knowledge based on the information they provided. This information is subject to change. The part numbers that TE has identified as EU RoHS compliant have a maximum concentration of 0.1% by weight in homogenous materials for lead, hexavalent chromium, mercury, PBB, PBDE, DBP, BBP, DEHP, DIBP, and 0.01% for cadmium, or qualify for an exemption to these limits as defined in the Annexes of Directive 2011/65/EU (RoHS2). Finished electrical and electronic equipment products will be CE marked as required by Directive 2011/65/EU. Components may not be CE marked. Additionally, the part numbers that TE has identified as EU ELV compliant have a maximum concentration of 0.1% by weight in homogenous materials for lead, hexavalent chromium, and mercury, and 0.01% for cadmium, or qualify for an exemption to these limits as defined in the Annexes of Directive 2000/53/EC (ELV). Regarding the REACH Regulation, the information TE provides on SVHC in articles for this part number is based on the latest European Chemicals Agency (ECHA) 'Guidance on requirements for substances in articles' posted at this URL: <https://echa.europa.eu/guidance-documents/guidance-on-reach>

Compatible Parts



TE Part # 2500005-1
SRC Pwr 60+6AG Female Recp Hsg Assy



TE Part # 2500035-3
SRC Male Conduit Cover



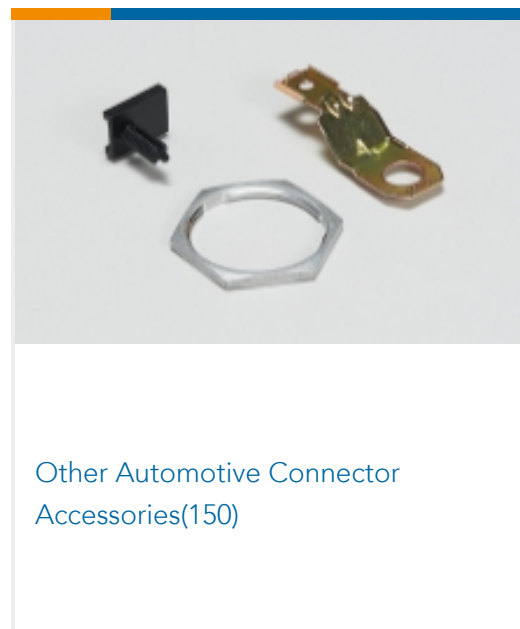
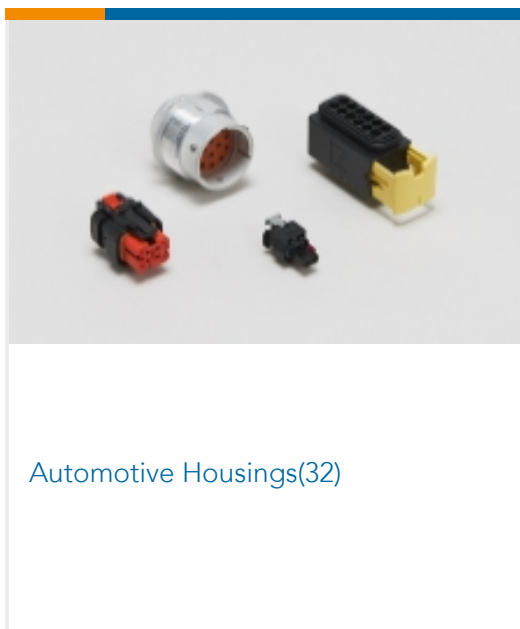
TE Part # 2500033-1
SRC Power Blind Cavity Plug



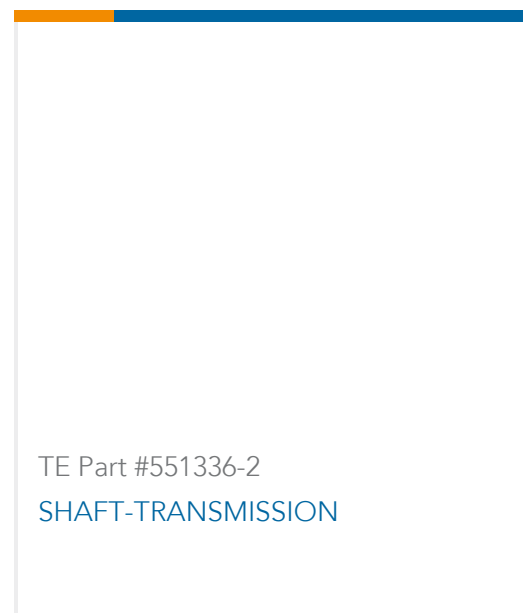
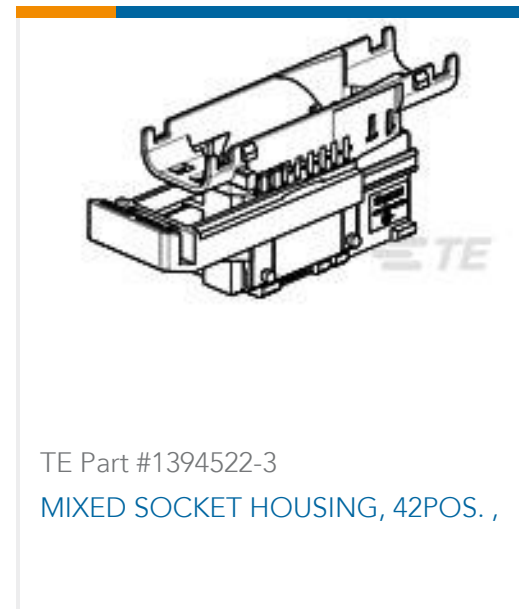
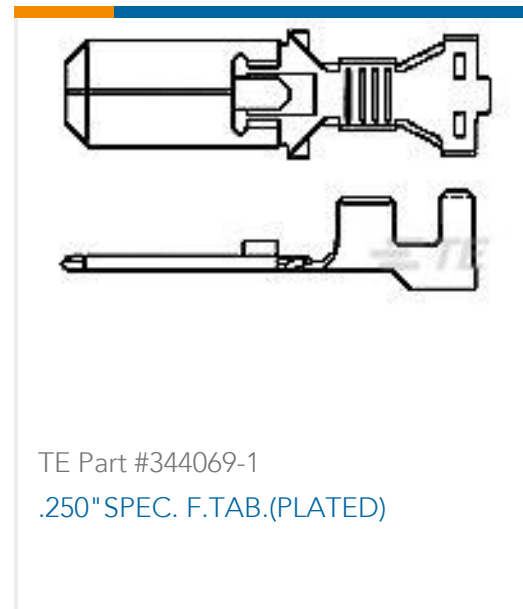
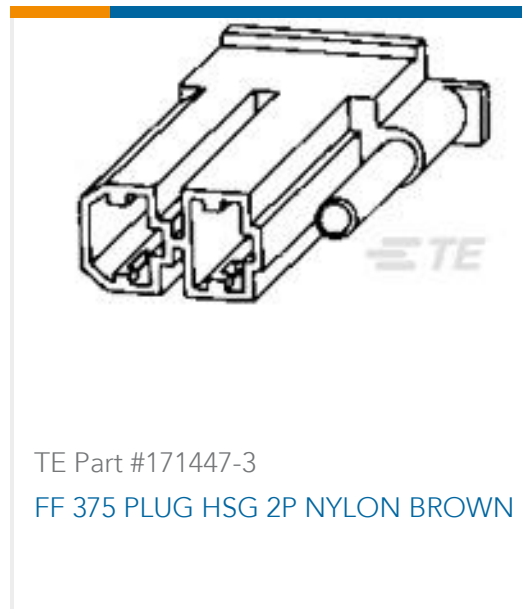
TE Part # 2500032-1
SRC Flange Gasket



Also in the Series | SRC



Customers Also Bought



Documents

Product Drawings

[SRC Pwr 60+6AG Male Blade Hsg Assy](#)

English

CAD Files

[3D PDF](#)

3D

Customer View Model

[ENG_CVM_CVM_2500021-1_A.2d_dxf.zip](#)

English

Customer View Model

[ENG_CVM_CVM_2500021-1_A.3d_igs.zip](#)

English

Customer View Model

[ENG_CVM_CVM_2500021-1_A.3d_stp.zip](#)

English

By downloading the CAD file I accept and agree to the [Terms and Conditions](#) of use.

Datasheets & Catalog Pages



SRC Rectangular Connector Data Sheet

English

Product Specifications

Application Specification

English