

ZHTM-40/20-0-SP ✓ ACTIVE

RAYCHEM

TE Internal #: 2450984003

Black, 2:1, Shrinks To .789 in [20 mm], Chlorinated Polyolefin, Pre-Coated Wrap Jacket Wall Material, 1.575 in [40 mm] Inner Diameter, Flame-Retardant

[View on TE.com >](#)



Heat Shrink Tubing > ZHTM: Heat Shrink Tubing, 2:1 Shrink Ratio



Primary Product Color: **Black**

Wall Material Type: **Pre-Coated Wrap Jacket**

Expanded Inside Diameter (Min): **40 mm [1.575 in]**

Recovered Inside Diameter (Max): **20 mm [.789 in]**

Shrink Ratio: **2:1**

[All ZHTM: Heat Shrink Tubing, 2:1 Shrink Ratio \(9\)](#)

Features

Product Type Features

Wall Material Type	Pre-Coated Wrap Jacket
--------------------	------------------------

Body Features

Fluid Type	Brake Fluid, Diesel Fuel, Hydraulic Fluid, Insulating Oil, Lubricating Oil, Unleaded Gasoline, Water
Material Systems Code	100
Primary Product Color	Black
Shrink Ratio	2:1
Primary Product Material	Chlorinated Polyolefin
Flexibility	Flexible

Dimensions

Recovered Wall Thickness (Nominal)	1.3 mm[.051 in]
Expanded Inside Diameter (Min)	40 mm[1.575 in]
Recovered Inside Diameter (Max)	20 mm[.789 in]
Tubing Size Range	20 – 40 mm[.789 – 1.575 in]

Usage Conditions

Shrink Temperature (Min)	121 °C
--------------------------	--------



Tubing Flammability Type	Flame-Retardant
--------------------------	-----------------

Operating Temperature Range	-30 – 105 °C
-----------------------------	--------------

Recovery Temperature	121 °C
----------------------	--------

Operation/Application

Mechanical Resistance	Mechanical Damage
-----------------------	-------------------

Packaging Features

Packaging Method	Piece
------------------	-------

Other

Meets Low Outgassing Requirements	No
-----------------------------------	----

Product Source	US
----------------	----

Product Compliance

[For compliance documentation, visit the product page on TE.com>](#)

EU RoHS Directive 2011/65/EU	Compliant
------------------------------	-----------

EU ELV Directive 2000/53/EC	Compliant
-----------------------------	-----------

China RoHS 2 Directive MIIT Order No 32, 2016	No Restricted Materials Above Threshold
---	---

EU REACH Regulation (EC) No. 1907/2006	Current ECHA Candidate List: JUNE 2023 (235) Candidate List Declared Against: JUNE 2023 (235) Does not contain REACH SVHC
--	---

Halogen Content	Low Halogen - Br, Cl, F, I < 900 ppm per homogenous material. Also BFR/CFR/PVC Free
-----------------	---

Solder Process Capability	Not applicable for solder process capability
---------------------------	--

Product Compliance Disclaimer

This information is provided based on reasonable inquiry of our suppliers and represents our current actual knowledge based on the information they provided. This information is subject to change. The part numbers that TE has identified as EU RoHS compliant have a maximum concentration of 0.1% by weight in homogenous materials for lead, hexavalent chromium, mercury, PBB, PBDE, DBP, BBP, DEHP, DIBP, and 0.01% for cadmium, or qualify for an exemption to these limits as defined in the Annexes of Directive 2011/65/EU (RoHS2). Finished electrical and electronic equipment products will be CE marked as required by Directive 2011/65/EU. Components may not be CE marked. Additionally, the part numbers that TE has identified as EU ELV compliant have a maximum concentration of 0.1% by weight in homogenous materials for lead, hexavalent chromium, and mercury, and 0.01% for cadmium, or qualify for an exemption to these limits as defined in the Annexes of Directive 2000/53/EC (ELV). Regarding the REACH Regulation, the information TE provides on SVHC in articles for this part number is based on the latest European Chemicals Agency (ECHA) 'Guidance on requirements for substances in articles' posted at this URL: <https://echa.europa.eu/guidance-documents/guidance-on-reach>

Customers Also Bought



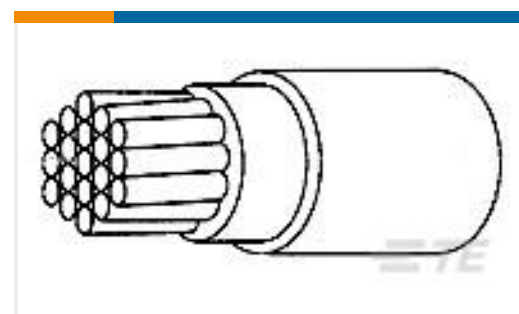
TE Part #2596914002
ZHTM-50/30-0-SP



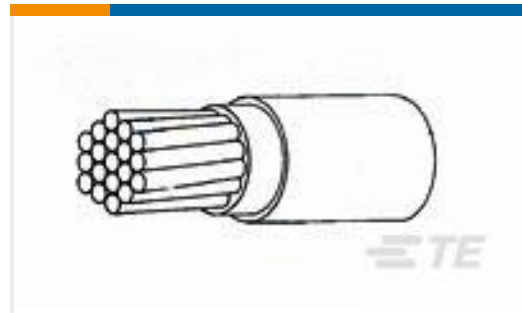
TE Part #1071233001
VG-95218-T021-E001



TE Part #CD45753001
VG-95218-T021-C008



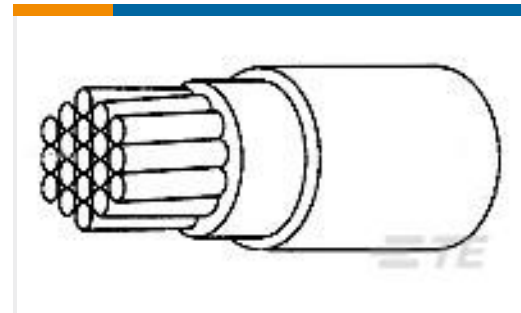
TE Part #8767583001
VG-95218-T020-E049



TE Part #1379193001
VG-95218-T020-A001



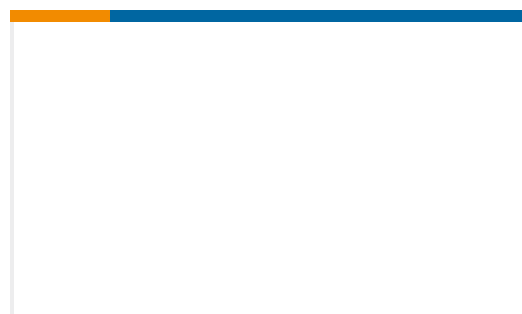
TE Part #158357-000
CWT-11-S



TE Part #D911613001
VG-95218-T020-E019



TE Part #9540463001
VG-95218-T021-C002



TE Part #890113-003
S1048-TAPE-30M



TE Part #K1151701
Limit switch G13-01-1824 904

Documents

Product Drawings

[ZHTM-40/20-0-SP](#)

English

Datasheets & Catalog Pages

[raychem-tubing-product-selection-guide](#)

English

[1654025_Sec3_ZHTM](#)

English

Product Specifications

[Thermofit Zerohal ZHTM Tubing Elastomeric, Halgen-Free, Flame-Retarded, Flexible, Heat-Shrinkable](#)

English

[ZHTM SLEEVING](#)

English

Product Environmental Compliance

[Safety Datasheet](#)

English



[Safety Datasheet](#)

English

[Safety Datasheet](#)

German

[Safety Datasheet](#)

[Safety Datasheet](#)

French

[Safety Datasheet](#)

[Safety Datasheet](#)

[Safety Datasheet](#)

[Safety Datasheet](#)

[Safety Datasheet](#)

[Instruction Sheets](#)

[Instruction Sheet \(U.S.\)](#)

English