

244676-E ✓ ACTIVE

ERNI | ERNI MicroSpeed

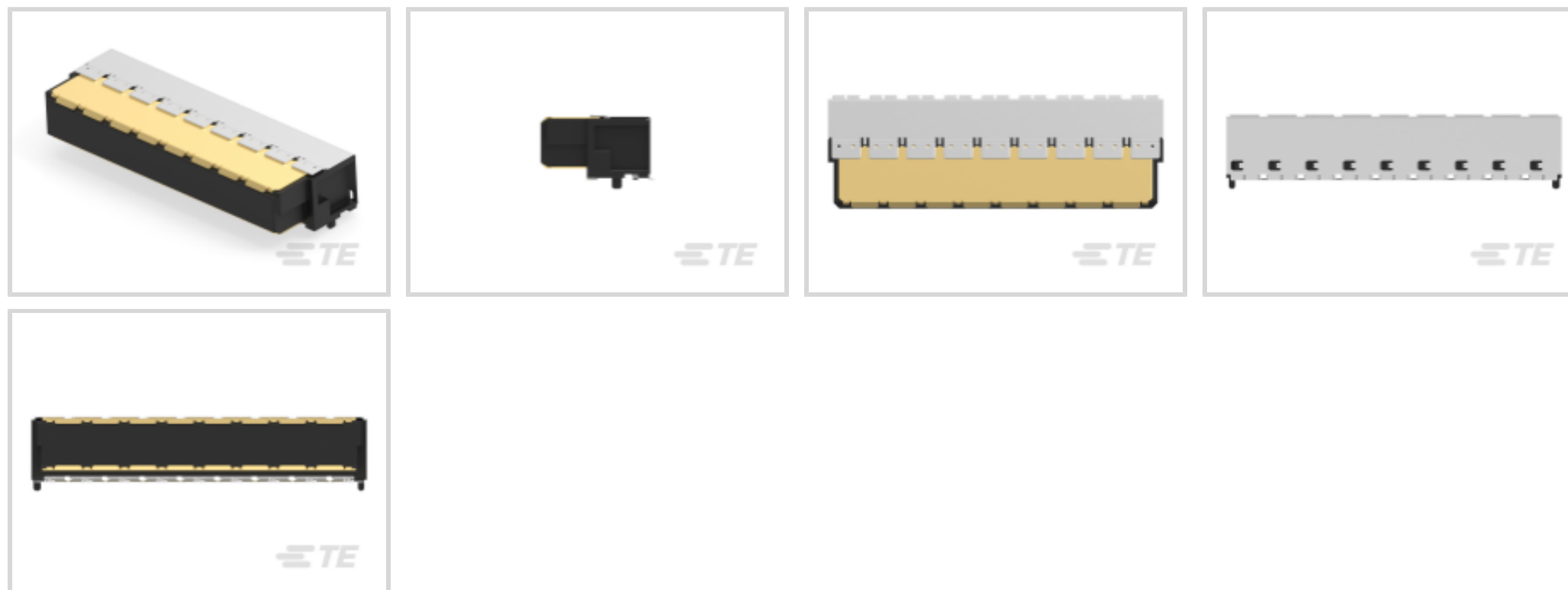
TE Internal #: 244676-E

PCB Mount Receptacle, Right Angle, Board-to-Board, 50 Position, 1 mm [.039 in] Centerline, Fully Shrouded, Gold (Au), Surface Mount, ERNI MicroSpeed

[View on TE.com >](#)



Connectors > PCB Connectors > PCB Headers & Receptacles



PCB Connector Assembly Type: **PCB Mount Receptacle**

PCB Mount Orientation: **Right Angle**

Connector System: **Board-to-Board**

Number of Positions: **50**

Number of Rows: **2**

## Features

### Product Type Features

PCB Connector Assembly Type	PCB Mount Receptacle
Connector System	Board-to-Board
Header Type	Fully Shrouded
Sealable	No
Connector & Contact Terminates To	Printed Circuit Board

### Configuration Features

Number of Columns	25
Number of Loaded Positions	50
Stackable	No
Connector Contact Load Condition	Fully Loaded
PCB Mount Orientation	Right Angle
Number of Positions	50
Number of Rows	2

### Electrical Characteristics



Dielectric Withstanding Voltage (Max)	500 Vrms
Impedance	100 Ω

### Signal Characteristics

Data Rate	25 Gb/s
-----------	---------

### Body Features

Primary Product Color	Black
-----------------------	-------

### Contact Features

PCB Contact Termination Area Plating Material Thickness	2 – 6 μm[78.74 – 236.22 μin]
Contact Layout	Matrix
Contact Shape & Form	Dual Beam
PCB Contact Termination Area Plating Material	Tin
Contact Base Material	Copper Alloy
Contact Mating Area Plating Material	Gold (Au)
Contact Type	Receptacle
Contact Current Rating (Max)	1 A

### Termination Features

Termination Method to Printed Circuit Board	Surface Mount
---	---------------

### Mechanical Attachment

Mounting Alignment Feature Length	.7 mm[.027 in]
PCB Mount Alignment Type	Locating Posts
Mating Alignment	With
Mating Alignment Type	Polarization Rib
PCB Mount Retention	Without
PCB Mount Alignment	With
Connector Mounting Type	Board Mount

### Housing Features

Mating Entry Location	Side
Centerline (Pitch)	1 mm[.039 in]
Housing Material	LCP

### Dimensions

Connector Length	27 mm[1.063 in]
Connector Height	5.25 mm[.207 in]



Connector Width	8.8 mm[.346 in]
Profile Height from PCB	5.25 mm
Row-to-Row Spacing	1.5 mm[.059 in]

### Usage Conditions

Operating Temperature (Max)	125 °C[257 °F]
Operating Temperature Range	-55 – 125 °C[-67 – 257 °F]

### Operation/Application

Shielded	Yes
Circuit Application	Power, Signal & High Speed Data

### Industry Standards

Agency/Standard	DIN, UL
Approved Standards	UL
Industry Standard	IEC
UL Flammability Rating	UL 94V-0

### Packaging Features

Packaging Reel Diameter	330 mm[12.99 in]
Packaging Quantity	500
Packaging Type	Tape & Reel

### Product Compliance

[For compliance documentation, visit the product page on TE.com>](#)

EU RoHS Directive 2011/65/EU	Compliant
EU ELV Directive 2000/53/EC	Not Yet Reviewed
China RoHS 2 Directive MIIT Order No 32, 2016	No Restricted Materials Above Threshold
EU REACH Regulation (EC) No. 1907/2006	Current ECHA Candidate List: JUNE 2023 (235) Candidate List Declared Against: JUNE 2022 (224) Does not contain REACH SVHC
Halogen Content	Not Yet Reviewed for halogen content
Solder Process Capability	Not reviewed for solder process capability

#### Product Compliance Disclaimer

This information is provided based on reasonable inquiry of our suppliers and represents our current actual knowledge based on the information they provided. This information is subject to change. The part numbers that TE has identified as

EU RoHS compliant have a maximum concentration of 0.1% by weight in homogenous materials for lead, hexavalent chromium, mercury, PBB, PBDE, DBP, BBP, DEHP, DIBP, and 0.01% for cadmium, or qualify for an exemption to these limits as defined in the Annexes of Directive 2011/65/EU (RoHS2). Finished electrical and electronic equipment products will be CE marked as required by Directive 2011/65/EU. Components may not be CE marked. Additionally, the part numbers that TE has identified as EU ELV compliant have a maximum concentration of 0.1% by weight in homogenous materials for lead, hexavalent chromium, and mercury, and 0.01% for cadmium, or qualify for an exemption to these limits as defined in the Annexes of Directive 2000/53/EC (ELV). Regarding the REACH Regulation, the information TE provides on SVHC in articles for this part number is based on the latest European Chemicals Agency (ECHA) 'Guidance on requirements for substances in articles' posted at this URL: <https://echa.europa.eu/guidance-documents/guidance-on-reach>

## Compatible Parts



TE Part # 244692-E  
MSPEED 50 M SMD \* 90E AB VV 137 094 \* HG



TE Part # 374721-E  
MSPEED 50 M SMDTHR \* 90E AB VV 137 094 1



TE Part # 374732-E  
MSPEED 50 M SMD M1 E AB VV 137 094 \* 2F



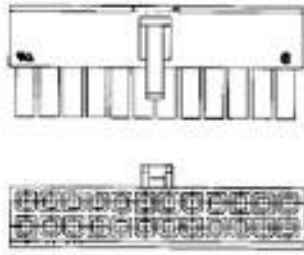
TE Part # 524542-E  
MSPEED 26 F SMD \* 90E AB VV 137 094 \* \*

## Also in the Series | ERNI MicroSpeed



PCB Headers & Receptacles(51)

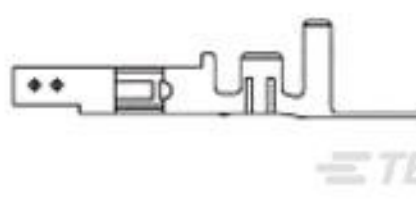
## Customers Also Bought



TE Part #1586019-2  
2P RCPT VAL-U-LOK V0



TE Part #170233-1  
PL 250 REC 0.5-2.27 MM2 BR



TE Part #794956-1  
VAL-U-LOK SKT BR SN 22-18AWG



TE Part #936124-1  
14POS MQS REC



## Documents

### Product Drawings

MSPEED 50 F SMD \* 90E AB W 137 094 \* \*

English

### CAD Files

Customer View Model

[ENG\\_CVM\\_CVM\\_244676-E\\_1.3d\\_igs.zip](#)

English

Customer View Model

[ENG\\_CVM\\_CVM\\_244676-E\\_1.3d\\_stp.zip](#)

English

Customer View Model

[ENG\\_CVM\\_CVM\\_244676-E\\_1.2d\\_dxf.zip](#)

English

### 3D PDF

3D

By downloading the CAD file I accept and agree to the [Terms and Conditions](#) of use.

### Datasheets & Catalog Pages

[Datasheet - ERNI Microspeed 1.0mm Connectors](#)

[Datasheet - ERNI Microspeed 1.0mm Connectors](#)

English

[Datasheet - ERNI Microspeed 1.0mm Connectors](#)

German