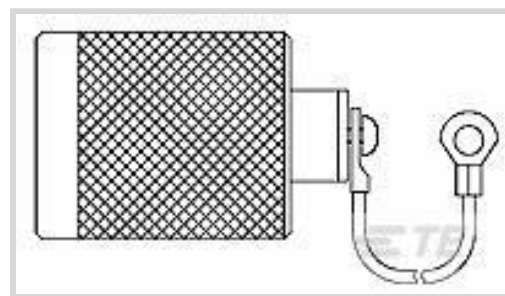




Cable Assemblies > Data Bus Components > Data Bus Accessories



Data Bus Connector Style: **Threaded**

Data Bus Accessory Type: **Dust Cap**

Features

Product Type Features

Data Bus Connector Style	Threaded
Data Bus Accessory Type	Dust Cap

Product Compliance

[For compliance documentation, visit the product page on TE.com>](#)

EU RoHS Directive 2011/65/EU	Compliant
EU ELV Directive 2000/53/EC	Compliant
China RoHS 2 Directive MIIT Order No 32, 2016	No Restricted Materials Above Threshold
EU REACH Regulation (EC) No. 1907/2006	Current ECHA Candidate List: JUNE 2023 (235) Candidate List Declared Against: JUNE 2023 (235) Does not contain REACH SVHC
Halogen Content	Low Halogen - Br, Cl, F, I < 900 ppm per homogenous material. Also BFR/CFR/PVC Free
Solder Process Capability	Not applicable for solder process capability

Product Compliance Disclaimer

This information is provided based on reasonable inquiry of our suppliers and represents our current actual knowledge based on the information they provided. This information is subject to change. The part numbers that TE has identified as EU RoHS compliant have a maximum concentration of 0.1% by weight in homogenous materials for lead, hexavalent chromium, mercury, PBB, PBDE, DBP, BBP, DEHP, DIBP, and 0.01% for cadmium, or qualify for an exemption to these limits as defined in the Annexes of Directive 2011/65/EU (RoHS2). Finished electrical and electronic equipment products will be CE marked as required by Directive 2011/65/EU. Components may not be CE marked. Additionally, the part numbers that TE has identified as EU ELV compliant have a maximum concentration of 0.1% by weight in homogenous materials for lead, hexavalent chromium, and mercury, and 0.01% for cadmium, or qualify for an exemption to these limits as defined in the Annexes of Directive 2000/53/EC (ELV). Regarding the REACH Regulation, the information TE provides on SVHC in articles for this part number is based on the latest European Chemicals Agency (ECHA) 'Guidance on requirements for substances in articles' posted at this URL: <https://echa.europa.eu/guidance-documents/guidance-on-reach>

Compatible Parts



TE Part # 750984-004
10612-24-9

Customers Also Bought



TE Part #131777-000
55PC0211-24-9



TE Part #097370-000
TTVF200YW-100



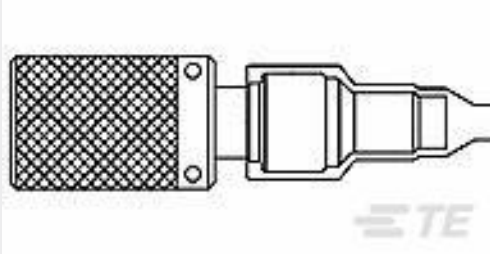
TE Part #YDTS26W15-35SNV001
PLUG ASSY



TE Part #YDTS26W15-19PNV001
PLUG ASSY



TE Part #YDTS26W19-35PNV001
PLUG ASSY



TE Part #902973-000
DK-621-0411-P



TE Part #621056-000
D-142-52



TE Part #621055-000
D-142-51

TE Part #AAF6405-00
100P2475-25-09-L50-CHP

Documents

[Product Drawings](#)

[D-600-0083](#)

English

[Datasheets & Catalog Pages](#)

[Data Bus Components Brochure](#)



English