

2399991-1 ✓ ACTIVE

TE Internal #: 2399991-1

Standard Rectangular Connectors, Connector Kit, Receptacle,
Mating Alignment, Blindmate Mating Alignment Type, 4/8 Indent
Crimp, Wire-to-Panel

[View on TE.com >](#)



Connectors > Rectangular Connectors > Standard Rectangular Connectors



Connector Product Type: **Connector Kit**

Connector & Housing Type: **Receptacle**

Mating Alignment: **With**

Mating Alignment Type: **Blindmate**

Termination Method to Wire & Cable: **4/8 Indent Crimp**

Features

Product Type Features

Connector Product Type	Connector Kit
Connector & Housing Type	Receptacle
Connector System	Wire-to-Panel
Connector & Contact Terminates To	Wire & Cable

Configuration Features

Number of Positions	10
Number of Rows	1

Electrical Characteristics

Operating Voltage	120 VAC
-------------------	---------

Contact Features

Contact Current Rating (Max)	40 A
------------------------------	------

Termination Features

Termination Method to Wire & Cable	4/8 Indent Crimp
------------------------------------	------------------

Mechanical Attachment



Mating Alignment	With
Mating Alignment Type	Blindmate
Connector Mounting Type	Panel Mount

Housing Features

Centerline (Pitch)	15 mm[.59 in]
--------------------	---------------

Usage Conditions

Operating Temperature Range	-20 – 60 °C[-4 – 140 °F]
-----------------------------	--------------------------

Operation/Application

Circuit Application	Power & Signal
---------------------	----------------

Industry Standards

UL Flammability Rating	12mm Flame Test per Standard UL 746C
------------------------	--------------------------------------

Product Compliance

[For compliance documentation, visit the product page on TE.com>](#)

EU RoHS Directive 2011/65/EU	Compliant with Exemptions
EU ELV Directive 2000/53/EC	Compliant
China RoHS 2 Directive MIIT Order No 32, 2016	Restricted Materials Above Threshold
EU REACH Regulation (EC) No. 1907/2006	Current ECHA Candidate List: JUNE 2023 (235) Candidate List Declared Against: JUNE 2023 (235) SVHC > Threshold: Pb (3.2% in Component Part) Article Safe Usage Statements: Do not eat, drink or smoke when using this product. Wash thoroughly after handling. Recycle if possible and dispose of the article by following all applicable governmental regulations relevant to your geographic location.
Halogen Content	Not Low Halogen - contains Br or Cl > 900 ppm.
Solder Process Capability	Not reviewed for solder process capability

Product Compliance Disclaimer

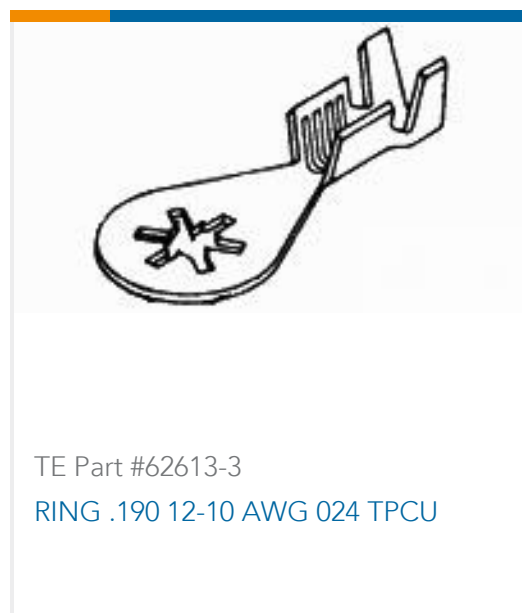
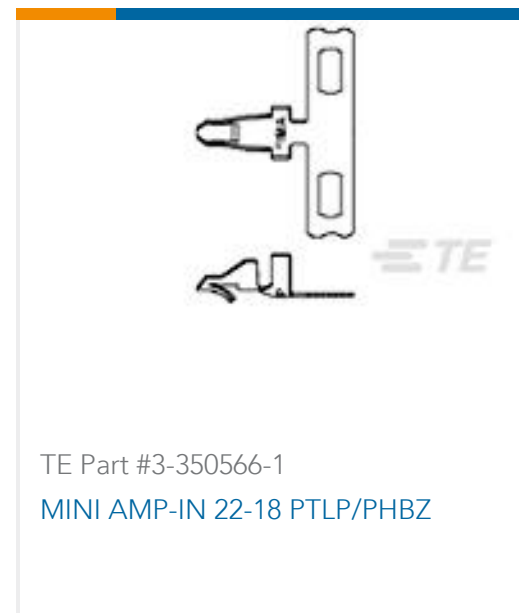
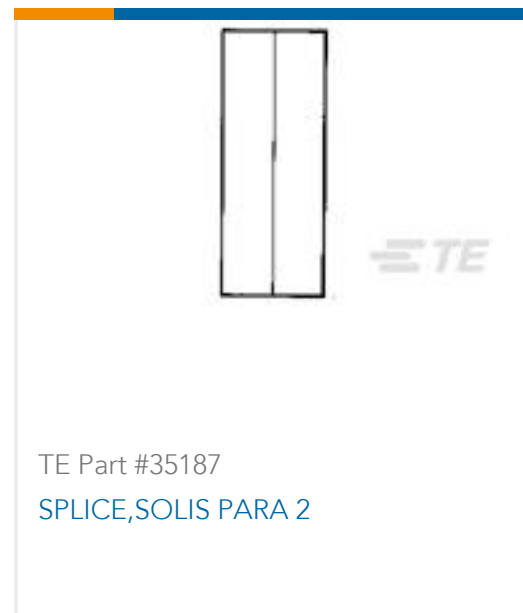
This information is provided based on reasonable inquiry of our suppliers and represents our current actual knowledge based on the information they provided. This information is subject to change. The part numbers that TE has identified as EU RoHS compliant have a maximum concentration of 0.1% by weight in homogenous materials for lead, hexavalent chromium, mercury, PBB, PBDE, DBP, BBP, DEHP, DIBP, and 0.01% for cadmium, or qualify for an exemption to these limits as defined in the Annexes of Directive 2011/65/EU (RoHS2). Finished electrical and electronic equipment products will be CE marked as required by Directive 2011/65/EU. Components may not be CE marked. Additionally, the part numbers that TE has identified as EU ELV compliant have a maximum concentration of 0.1% by weight in homogenous materials for lead, hexavalent chromium, and mercury, and 0.01% for cadmium, or qualify for an exemption to these limits as defined in the Annexes of Directive 2000/53/EC (ELV). Regarding the REACH Regulation, the information TE provides

on SVHC in articles for this part number is based on the latest European Chemicals Agency (ECHA) 'Guidance on requirements for substances in articles' posted at this URL: <https://echa.europa.eu/guidance-documents/guidance-on-reach>

Compatible Parts



Customers Also Bought



Documents

Product Drawings

KIT, 2P RECPT DOCKING, BOT

English



CAD Files

3D PDF

3D

Customer View Model

[ENG_CVM_CVM_2399991-1_1.2d_dxf.zip](#)

English

Customer View Model

[ENG_CVM_CVM_2399991-1_1.3d_igs.zip](#)

English

Customer View Model

[ENG_CVM_CVM_2399991-1_1.3d_stp.zip](#)

English

By downloading the CAD file I accept and agree to the [Terms and Conditions](#) of use.

Datasheets & Catalog Pages

Datasheet - Blind Mating Mobile Charging Connector

English

Product Specifications

Application Specification

English

Agency Approvals

UL

English