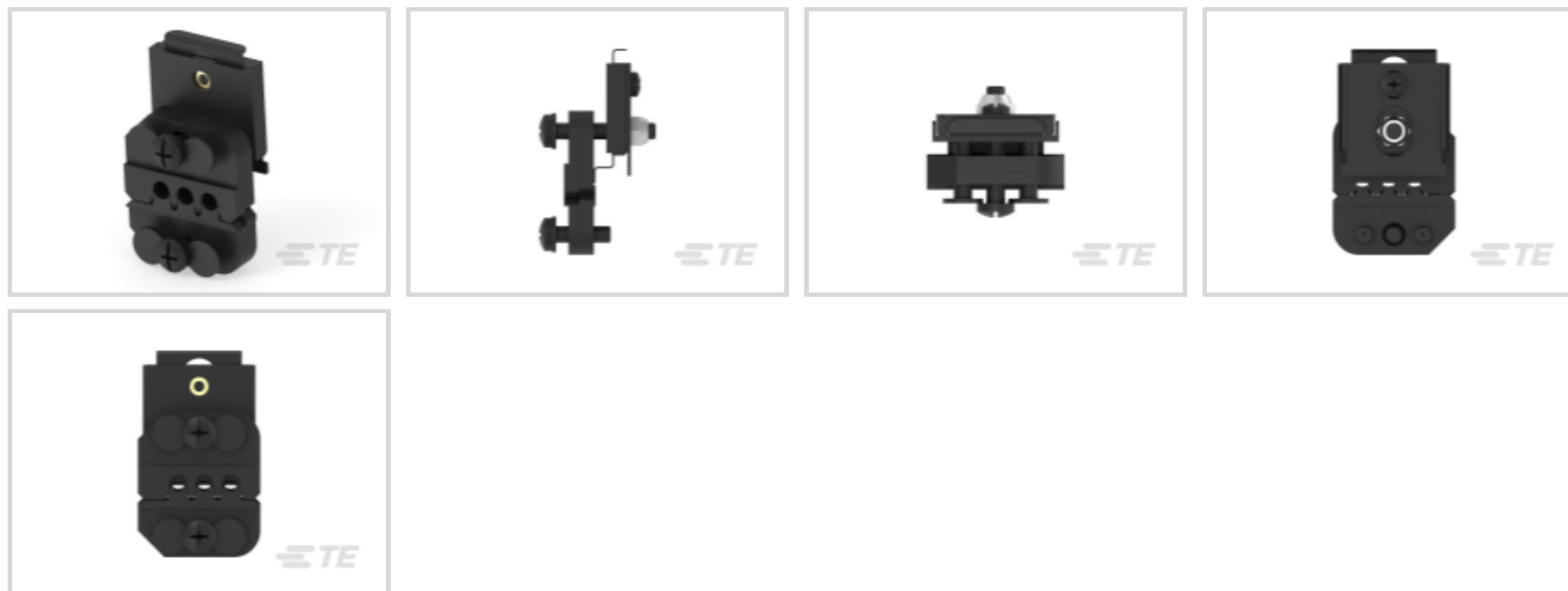




[View on TE.com >](#)

Application Tooling > Hand Crimping Tools



Tool Grade: **Commercial Crimp Tooling**  
 Die Sets Type: **Removable/Interchangeable**  
 Specification Type: **TE Product Specification (114-)**  
 TE Certification: **Cannot be Certified**  
 Tooling Type: **SDE Crimp Die Set**

### Features

#### Other

Crimp Form-Wire Barrel Type	Open Barrel - F Crimp
Tool Grade	Commercial Crimp Tooling
Die Sets Type	Removable/Interchangeable
Specification Type	TE Product Specification (114-)
TE Certification	Cannot be Certified
Tooling Type	SDE Crimp Die Set

### Product Compliance

[For compliance documentation, visit the product page on TE.com>](#)

EU RoHS Directive 2011/65/EU	Out of Scope
EU ELV Directive 2000/53/EC	Out of Scope
China RoHS 2 Directive MIIT Order No 32, 2016	No Restricted Materials Above Threshold
EU REACH Regulation (EC) No. 1907/2006	Current ECHA Candidate List: JUNE 2023 (235) Not Yet Reviewed
Halogen Content	Not Yet Reviewed for halogen content



Solder Process Capability

Not applicable for solder process capability

Product Compliance Disclaimer

This information is provided based on reasonable inquiry of our suppliers and represents our current actual knowledge based on the information they provided. This information is subject to change. The part numbers that TE has identified as EU RoHS compliant have a maximum concentration of 0.1% by weight in homogenous materials for lead, hexavalent chromium, mercury, PBB, PBDE, DBP, BBP, DEHP, DIBP, and 0.01% for cadmium, or qualify for an exemption to these limits as defined in the Annexes of Directive 2011/65/EU (RoHS2). Finished electrical and electronic equipment products will be CE marked as required by Directive 2011/65/EU. Components may not be CE marked. Additionally, the part numbers that TE has identified as EU ELV compliant have a maximum concentration of 0.1% by weight in homogenous materials for lead, hexavalent chromium, and mercury, and 0.01% for cadmium, or qualify for an exemption to these limits as defined in the Annexes of Directive 2000/53/EC (ELV). Regarding the REACH Regulation, the information TE provides on SVHC in articles for this part number is based on the latest European Chemicals Agency (ECHA) 'Guidance on requirements for substances in articles' posted at this URL: <https://echa.europa.eu/guidance-documents/guidance-on-reach>

### Compatible Parts



TE Part # CAT-AM705-T273  
 AMP MCP, RECEPTACLE AND TAB



TE Part # 2362810-1  
 SDE CRIMP HAND TOOL FRAME W /O DIES



TE Part # 2391790-1  
 SDE F AMP MCP 2.8 1.50-2.50 ASSY

### Customers Also Bought



TE Part #206070-8  
 CABLE CLAMP KIT #17



TE Part #DT04-2P  
 REC, 2P, GRY, N



TE Part #DT06-2S  
 PLG, 2P, GRY, N



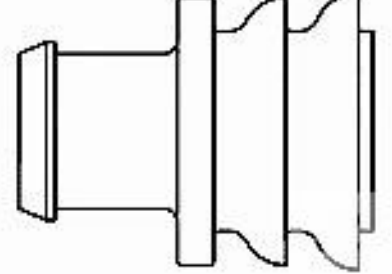
TE Part #W2P  
 Wedgelocks: DEUTSCH DT



TE Part #0462-201-16141  
 DEUTSCH Solid Contacts



TE Part #282080-1  
 AMP SUPERSEAL 1.5MM, CONNECTOR HOUSING



TE Part #281934-2  
 SINGLE WIRE SEAL

### Documents

[Datasheets & Catalog Pages](#)

[Bottoming Dies](#)



English

[SDE Crimp Commercial Tool System](#)

English

---

[Instruction Sheets](#)

[Instruction Sheet \(U.S.\)](#)

English