

2390264-1 ✓ ACTIVE

TE Internal #: 2390264-1

Hand Crimping Tools, Commercial Crimp Tooling, Operator Releasable & Adjustable, Removable/Interchangeable, TE Product Specification (114-), Manual

[View on TE.com >](#)



Application Tooling > Hand Crimping Tools



Tool Grade: **Commercial Crimp Tooling**

Ratchet Configuration: **Operator Releasable & Adjustable**

Die Sets Type: **Removable/Interchangeable**

Specification Type: **TE Product Specification (114-)**

TE Certification: **Cannot be Certified**

Features

Other

Crimp Form-Wire Barrel Type	Open Barrel - F Crimp
Tool Grade	Commercial Crimp Tooling
Ratchet Configuration	Operator Releasable & Adjustable
Die Sets Type	Removable/Interchangeable
Specification Type	TE Product Specification (114-)
TE Certification	Cannot be Certified
Power Technology Type	Manual
Tooling Type	SDE Crimp Hand Tool

Product Compliance

[For compliance documentation, visit the product page on TE.com>](#)

EU RoHS Directive 2011/65/EU	Out of Scope
EU ELV Directive 2000/53/EC	Out of Scope
China RoHS 2 Directive MIIT Order No 32, 2016	No Restricted Materials Above Threshold
EU REACH Regulation (EC) No. 1907/2006	Current ECHA Candidate List: JUNE 2023 (235) Not Yet Reviewed
Halogen Content	Not Yet Reviewed for halogen content
Solder Process Capability	Not applicable for solder process capability



Product Compliance Disclaimer

This information is provided based on reasonable inquiry of our suppliers and represents our current actual knowledge based on the information they provided. This information is subject to change. The part numbers that TE has identified as EU RoHS compliant have a maximum concentration of 0.1% by weight in homogenous materials for lead, hexavalent chromium, mercury, PBB, PBDE, DBP, BBP, DEHP, DIBP, and 0.01% for cadmium, or qualify for an exemption to these limits as defined in the Annexes of Directive 2011/65/EU (RoHS2). Finished electrical and electronic equipment products will be CE marked as required by Directive 2011/65/EU. Components may not be CE marked. Additionally, the part numbers that TE has identified as EU ELV compliant have a maximum concentration of 0.1% by weight in homogenous materials for lead, hexavalent chromium, and mercury, and 0.01% for cadmium, or qualify for an exemption to these limits as defined in the Annexes of Directive 2000/53/EC (ELV). Regarding the REACH Regulation, the information TE provides on SVHC in articles for this part number is based on the latest European Chemicals Agency (ECHA) 'Guidance on requirements for substances in articles' posted at this URL: <https://echa.europa.eu/guidance-documents/guidance-on-reach>

Compatible Parts



TE Part # CAT-J67-DSCC16
DEUTSCH Size 16 Crimp Contacts



TE Part # 1060-16-0122-PS
PIN, SF, SIZE 16, 14-18, NI/SN, 100 PC



TE Part # 1060-16-0144-PS
PIN, SF, SIZE 16, 14-18, AU/SN, 100 PC



TE Part # 1062-16-0122-PS
SOC, SF, SIZE 16, 14-18, NI/SN, 100 PC



TE Part # 1062-16-0144-PS
SOC, SF, SIZE 16, 14-18, AU/SN, 100 PC



TE Part # 2362810-1
SDE CRIMP HAND TOOL FRAME W/O DIES



TE Part # 2390264-2
SDE F PIN 18 DIE SET




TE Part # 1062-16-0722-PS
SOC, SF, SIZE 16, 14-18, NI/SN, 100 PC



TE Part # 1060-16-0177
PIN, SF, SIZE 16, 14-18, SN/SN

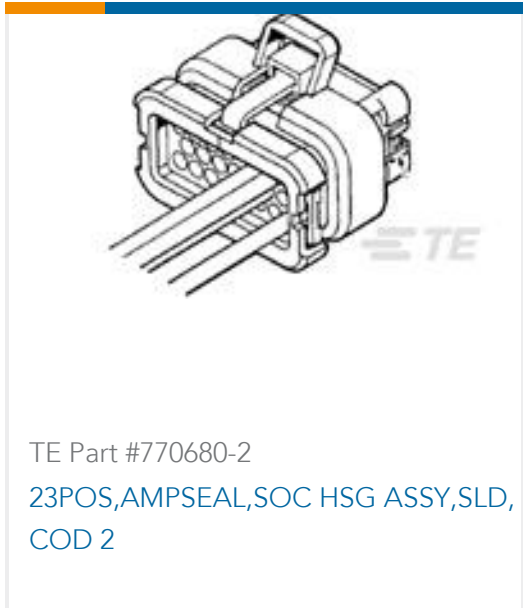


TE Part # 1060-16-0988-PS
PIN, SF, SIZE 16, 14-18, PD/NI/AU, 100 PC



TE Part # 1062-16-0988-PS
SOC, SF, SIZE 16, 14-18, PD/NI/AU, 100 PC

Customers Also Bought



TE Part #770680-2
23POS, AMPSEAL, SOC HSG ASSY, SLD, COD 2



TE Part #DTM04-12PA
DEUTSCH DTM Housings



TE Part #WM-12P
WEDGE LOCK, 12P, REC, ORG, DTM



TE Part #5-1618388-8
LEV200A6NAA=RELAY, SPST-NO



TE Part #1-962299-1
56P JPT/MPT BU-GEH



TE Part #TAD1453A201-020
M12D4-MS-FS-TPE-24SH-TEAL-2.0M



TE Part #6-1419137-4
V23074A2001A403-EV-CBOX



TE Part #2236046-7
32POS, MIXED, MALE CONN., CLIP2, COD A

Documents

Datasheets & Catalog Pages

Bottoming Dies

English

SDE Crimp Commercial Tool System

English

Instruction Sheets

Instruction Sheet (U.S.)

English