

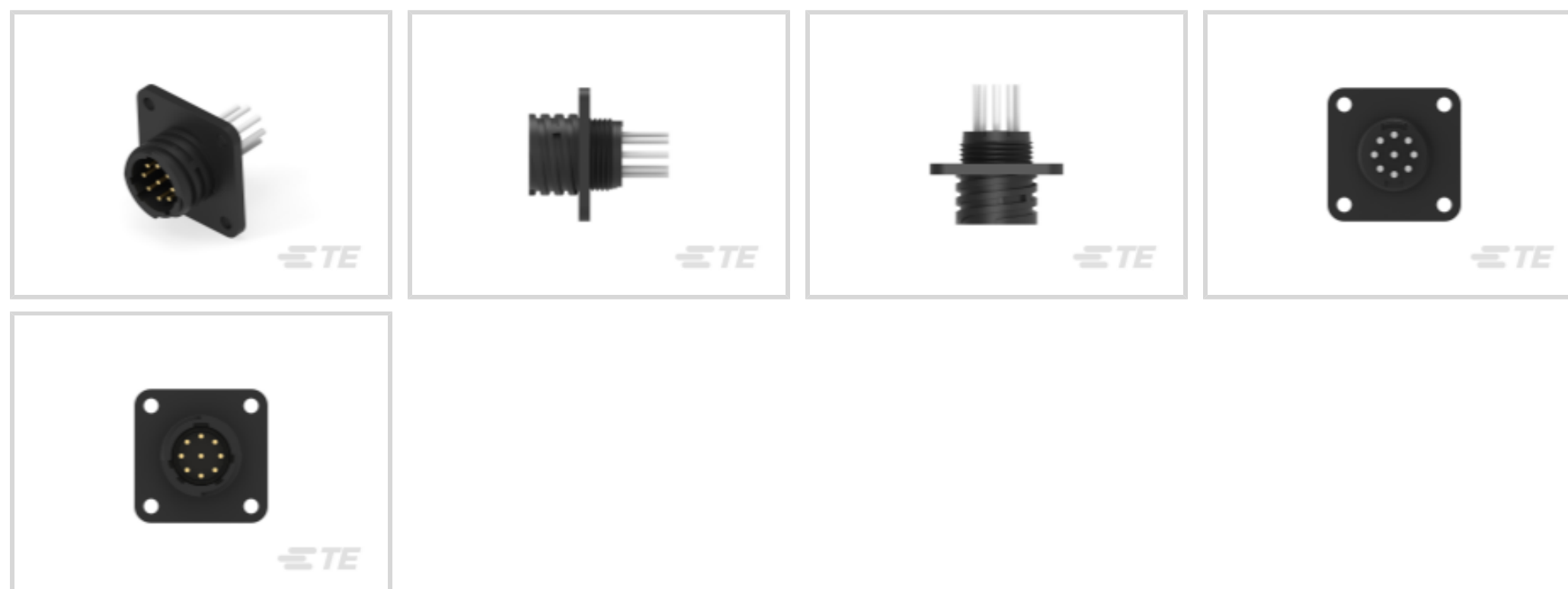
2387134-1 ✓ ACTIVE

TE Internal #: 2387134-1
CPC Pigtail Cable Assembly, .5 m, 24 AWG, CPC Receptacle,
Industry Standard, 9 Power Positions, 9 Signal Positions

[View on TE.com >](#)



Cable Assemblies > Copper Cable Assemblies > Internal I/O Cable Assemblies



Cable Assembly Type: CPC Pigtail

Connector Type (End A): CPC Receptacle

Cable Assembly Category: Industry Standard

Number of Power Positions: 9

Number of Signal Positions: 9

Features

Product Type Features

| | |
|-------------------------|-------------------|
| Cable Assembly Type | CPC Pigtail |
| Connector Type (End A) | CPC Receptacle |
| Cable Assembly Category | Industry Standard |

Configuration Features

| | |
|----------------------------|---|
| Number of Power Positions | 9 |
| Number of Signal Positions | 9 |

Dimensions

| | |
|-----------|--------|
| Wire Size | 24 AWG |
|-----------|--------|

Other

| | |
|------------------------------|--------------|
| Cable Assembly Configuration | Single Ended |
| Cable Assembly Length | .5 m |

Product Compliance

[For compliance documentation, visit the product page on TE.com>](#)

| | |
|------------------------------|-----------|
| EU RoHS Directive 2011/65/EU | Compliant |
|------------------------------|-----------|



| | |
|---|--|
| EU ELV Directive 2000/53/EC | Not Yet Reviewed |
| China RoHS 2 Directive MIIT Order No 32, 2016 | No Restricted Materials Above Threshold |
| EU REACH Regulation (EC) No. 1907/2006 | Current ECHA Candidate List: JUNE 2023 (235) Candidate List Declared Against: JAN 2022 (223) Does not contain REACH SVHC |
| Halogen Content | Not Yet Reviewed for halogen content |
| Solder Process Capability | Not reviewed for solder process capability |

Product Compliance Disclaimer

This information is provided based on reasonable inquiry of our suppliers and represents our current actual knowledge based on the information they provided. This information is subject to change. The part numbers that TE has identified as EU RoHS compliant have a maximum concentration of 0.1% by weight in homogenous materials for lead, hexavalent chromium, mercury, PBB, PBDE, DBP, BBP, DEHP, DIBP, and 0.01% for cadmium, or qualify for an exemption to these limits as defined in the Annexes of Directive 2011/65/EU (RoHS2). Finished electrical and electronic equipment products will be CE marked as required by Directive 2011/65/EU. Components may not be CE marked. Additionally, the part numbers that TE has identified as EU ELV compliant have a maximum concentration of 0.1% by weight in homogenous materials for lead, hexavalent chromium, and mercury, and 0.01% for cadmium, or qualify for an exemption to these limits as defined in the Annexes of Directive 2000/53/EC (ELV). Regarding the REACH Regulation, the information TE provides on SVHC in articles for this part number is based on the latest European Chemicals Agency (ECHA) 'Guidance on requirements for substances in articles' posted at this URL: <https://echa.europa.eu/guidance-documents/guidance-on-reach>

Compatible Parts



Customers Also Bought





Documents

Product Drawings

[FL RPT CONN CA,STD,SER 2,SZ 11-9,L 0.5M](#)

English

CAD Files

Customer View Model

[ENG_CVM_CVM_2387134-1_B.3d_igs.zip](#)

English

Customer View Model

[ENG_CVM_CVM_2387134-1_B.3d_stp.zip](#)

English

Customer View Model

[ENG_CVM_CVM_2387134-1_B.2d_dxf.zip](#)

English

[3D PDF](#)

3D

By downloading the CAD file I accept and agree to the [Terms and Conditions](#) of use.

Datasheets & Catalog Pages

[Circular Plastic Connectors Standard Cable Assemblies](#)

English

Agency Approvals

[UL Report](#)

English