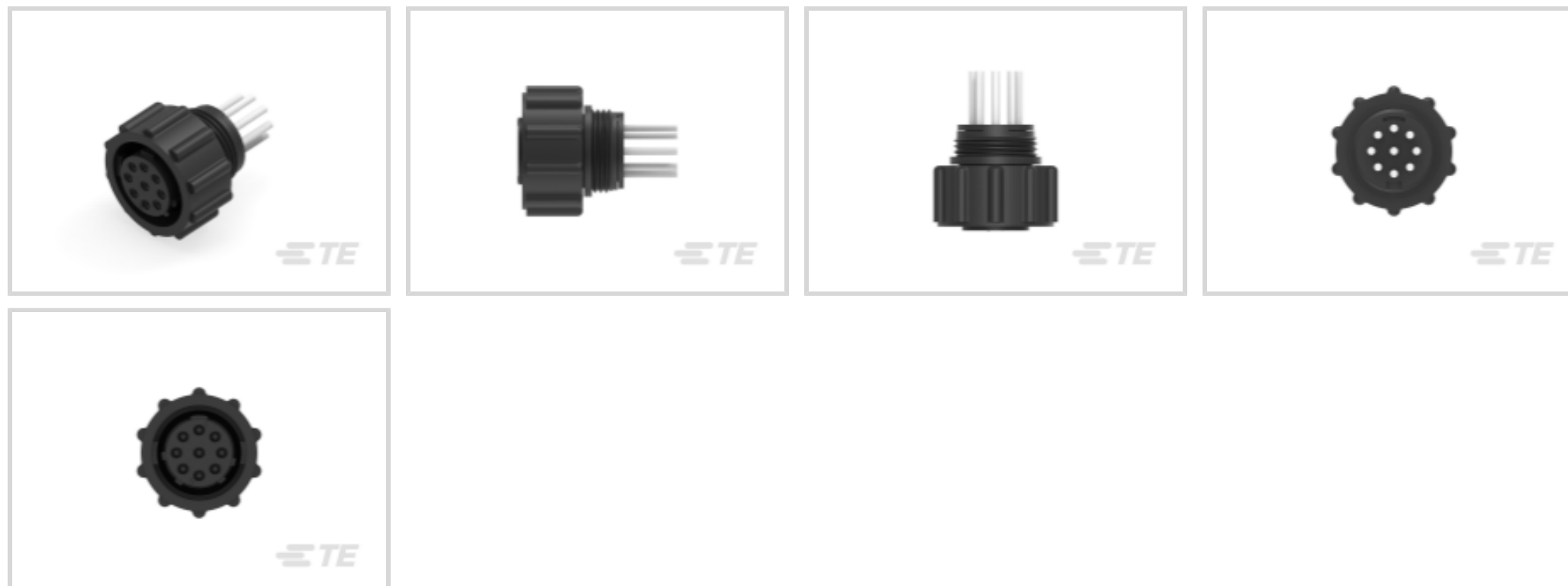




Cable Assemblies > Copper Cable Assemblies > Internal I/O Cable Assemblies



Cable Assembly Type: **CPC Pigtail**

Connector Type (End A): **CPC Plug**

Cable Assembly Category: **Industry Standard**

Number of Power Positions: **9**

Number of Signal Positions: **9**

### Features

#### Product Type Features

Cable Assembly Type	CPC Pigtail
Connector Type (End A)	CPC Plug
Cable Assembly Category	Industry Standard

#### Configuration Features

Number of Power Positions	9
Number of Signal Positions	9

#### Dimensions

Wire Size	24 AWG
-----------	--------

#### Other

Cable Assembly Configuration	Single Ended
Cable Assembly Length	.5 m

### Product Compliance

[For compliance documentation, visit the product page on TE.com>](#)

EU RoHS Directive 2011/65/EU	Compliant
------------------------------	-----------



EU ELV Directive 2000/53/EC	Not Yet Reviewed
China RoHS 2 Directive MIIT Order No 32, 2016	No Restricted Materials Above Threshold
EU REACH Regulation (EC) No. 1907/2006	Current ECHA Candidate List: JUNE 2023 (235) Candidate List Declared Against: JAN 2022 (223) Does not contain REACH SVHC
Halogen Content	Not Yet Reviewed for halogen content
Solder Process Capability	Not reviewed for solder process capability

Product Compliance Disclaimer

This information is provided based on reasonable inquiry of our suppliers and represents our current actual knowledge based on the information they provided. This information is subject to change. The part numbers that TE has identified as EU RoHS compliant have a maximum concentration of 0.1% by weight in homogenous materials for lead, hexavalent chromium, mercury, PBB, PBDE, DBP, BBP, DEHP, DIBP, and 0.01% for cadmium, or qualify for an exemption to these limits as defined in the Annexes of Directive 2011/65/EU (RoHS2). Finished electrical and electronic equipment products will be CE marked as required by Directive 2011/65/EU. Components may not be CE marked. Additionally, the part numbers that TE has identified as EU ELV compliant have a maximum concentration of 0.1% by weight in homogenous materials for lead, hexavalent chromium, and mercury, and 0.01% for cadmium, or qualify for an exemption to these limits as defined in the Annexes of Directive 2000/53/EC (ELV). Regarding the REACH Regulation, the information TE provides on SVHC in articles for this part number is based on the latest European Chemicals Agency (ECHA) 'Guidance on requirements for substances in articles' posted at this URL: <https://echa.europa.eu/guidance-documents/guidance-on-reach>

## Compatible Parts



TE Part # 206486-1  
CPC RECPT ASSEMBLY SIZE 11-9

## Customers Also Bought



TE Part #5499922-1  
A/L UNIV HDR 10P VERT LG LAT



TE Part #2-1761603-3  
IDC LOW PRO HDR 10P VERT BLUE



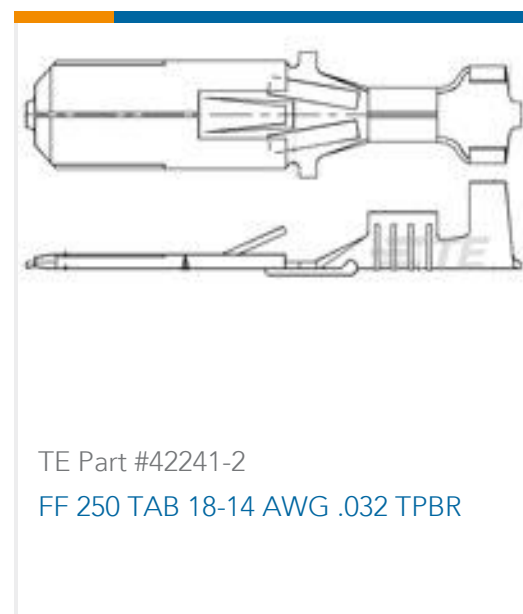
TE Part #102387-2  
14 MODIV HSG COMP DR .100 POL



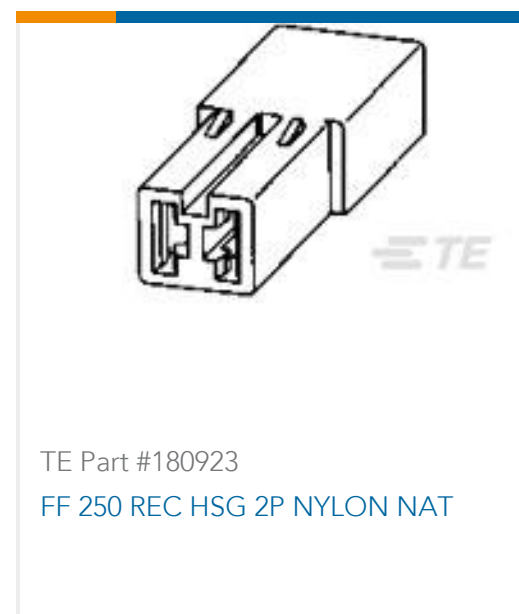
TE Part #1825057-7  
ADE0804=DIP SWITCH,EXT,THRU/HL



TE Part #172163-1  
15 CIR UNIV M-N-L CAP



TE Part #42241-2  
FF 250 TAB 18-14 AWG .032 TPBR



TE Part #180923  
FF 250 REC HSG 2P NYLON NAT



TE Part #2-1625886-4  
1W SM M/OX 5% 560R



TE Part #66399-4  
III+ SKT,24-20,30AU/FL,LP



TE Part #208800-1  
SEALING CAP ASSY,SZ 11,CPC

## Documents

### Product Drawings

[PLUG CONN CA,STD,SER 2,SZ 11-9,L 0.5M](#)

English

### CAD Files

Customer View Model

[ENG\\_CVM\\_CVM\\_2387133-1\\_B.3d\\_igs.zip](#)

English

Customer View Model

[ENG\\_CVM\\_CVM\\_2387133-1\\_B.3d\\_stp.zip](#)

English

Customer View Model

[ENG\\_CVM\\_CVM\\_2387133-1\\_B.2d\\_dxf.zip](#)

English

### 3D PDF

3D

By downloading the CAD file I accept and agree to the [Terms and Conditions](#) of use.

### Datasheets & Catalog Pages

[Circular Plastic Connectors Standard Cable Assemblies](#)

English

### Agency Approvals

[UL Report](#)

English