

2378745-1 ✓ ACTIVE

TE Internal #: 2378745-1

Hand Crimping Tools, Commercial Crimp Tooling, Operator Releasable & Adjustable, Removable/Interchangeable, TE Product Specification (114-), Manual

[View on TE.com >](#)



Application Tooling > Hand Crimping Tools



Tool Grade: **Commercial Crimp Tooling**

Ratchet Configuration: **Operator Releasable & Adjustable**

Die Sets Type: **Removable/Interchangeable**

Specification Type: **TE Product Specification (114-)**

TE Certification: **Cannot be Certified**

## Features

### Other

|                             |                                  |
|-----------------------------|----------------------------------|
| Crimp Form-Wire Barrel Type | Open Barrel - F Crimp            |
| Tool Grade                  | Commercial Crimp Tooling         |
| Ratchet Configuration       | Operator Releasable & Adjustable |
| Die Sets Type               | Removable/Interchangeable        |
| Specification Type          | TE Product Specification (114-)  |
| TE Certification            | Cannot be Certified              |
| Power Technology Type       | Manual                           |
| Tooling Type                | SDE Crimp Hand Tool              |

## Product Compliance

[For compliance documentation, visit the product page on TE.com>](#)

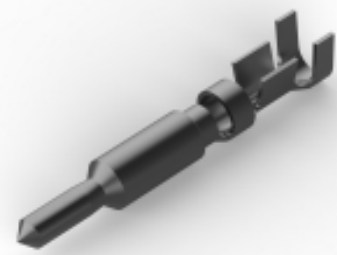
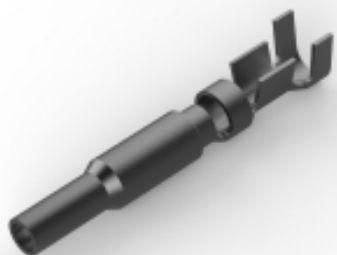
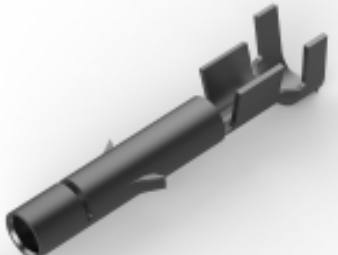
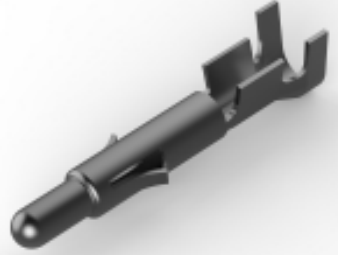
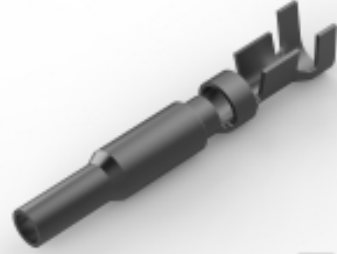

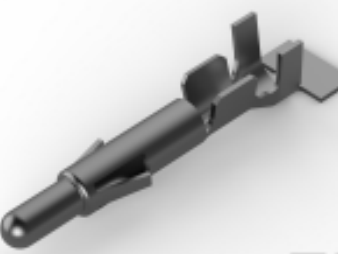
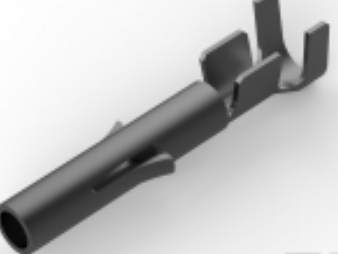
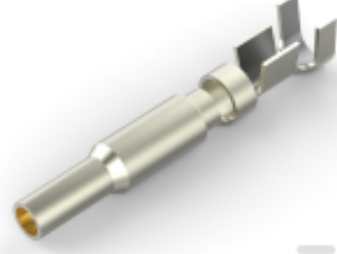


|   |  |
|---|--|
| EU RoHS Directive 2011/65/EU                  | Out of Scope   |
| EU ELV Directive 2000/53/EC                   | Out of Scope   |
| China RoHS 2 Directive MIIT Order No 32, 2016 | No Restricted Materials Above Threshold                          |
| EU REACH Regulation (EC) No. 1907/2006        | Current ECHA Candidate List: JUNE 2023 (235)<br>Not Yet Reviewed |
| Halogen Content                               | Not Yet Reviewed for halogen content                             |
| Solder Process Capability                     | Not applicable for solder process capability                     |



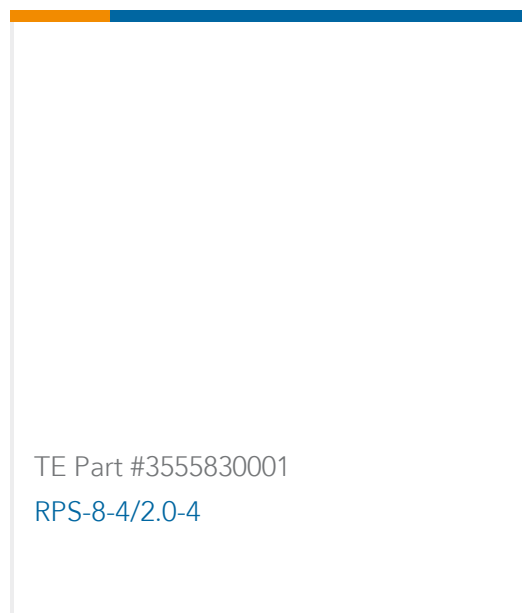
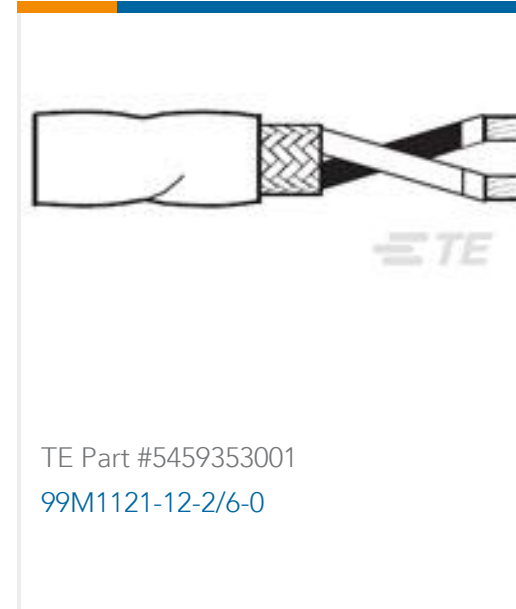
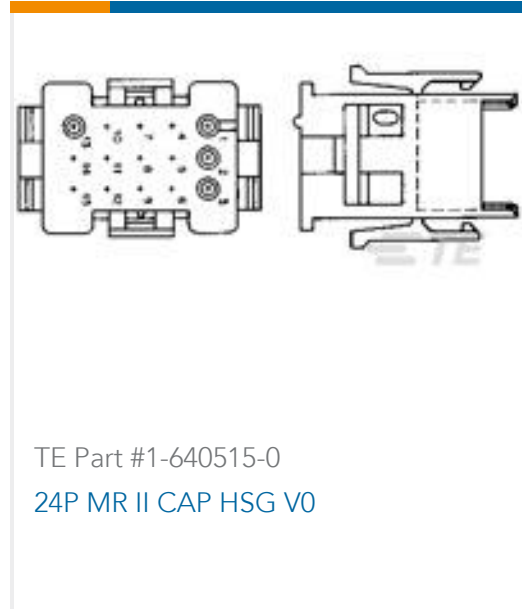
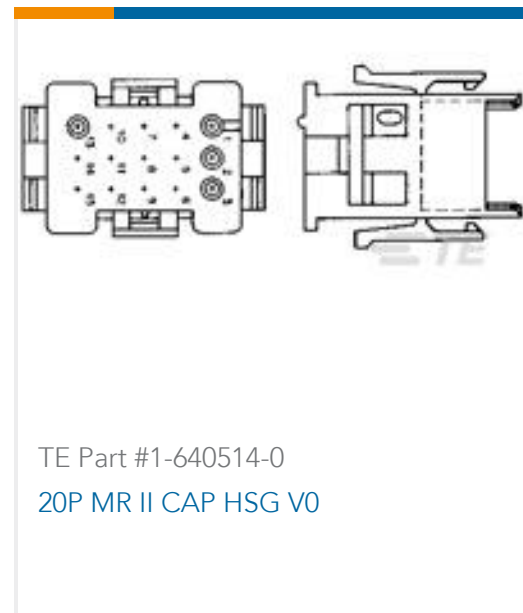
Product Compliance Disclaimer

This information is provided based on reasonable inquiry of our suppliers and represents our current actual knowledge based on the information they provided. This information is subject to change. The part numbers that TE has identified as EU RoHS compliant have a maximum concentration of 0.1% by weight in homogenous materials for lead, hexavalent chromium, mercury, PBB, PBDE, DBP, BBP, DEHP, DIBP, and 0.01% for cadmium, or qualify for an exemption to these limits as defined in the Annexes of Directive 2011/65/EU (RoHS2). Finished electrical and electronic equipment products will be CE marked as required by Directive 2011/65/EU. Components may not be CE marked. Additionally, the part numbers that TE has identified as EU ELV compliant have a maximum concentration of 0.1% by weight in homogenous materials for lead, hexavalent chromium, and mercury, and 0.01% for cadmium, or qualify for an exemption to these limits as defined in the Annexes of Directive 2000/53/EC (ELV). Regarding the REACH Regulations, TE's information on SVHC in articles for this part number is still based on the European Chemical Agency (ECHA) 'Guidance on requirements for substances in articles' (Version: 2, April 2011), applying the 0.1% weight on weight concentration threshold at the finished product level. TE is aware of the European Court of Justice ruling of September 10th, 2015 also known as O5A (Once An Article Always An Article) stating that, in case of 'complex object', the threshold for a SVHC must be applied to both the product as a whole and simultaneously to each of the articles forming part of its composition. TE has evaluated this ruling based on the new ECHA "Guidance on requirements for substances in articles" (June 2017, version 4.0) and will be updating its statements accordingly.

### Compatible Parts

|   |  |  |  |
|---|--|--|--|
|  <p>TE Part # 770250-1<br/>UMNL II PIN PTPBR LP 20-14</p>  |  <p>TE Part # 770251-3<br/>UMNL II SOK PTPPHBZ LP 20-14</p>         |  <p>TE Part # 350550-1<br/>UMNL SOK 20-14 PTPBR L/P</p>         |  <p>TE Part # 350547-1<br/>UMNL PIN 20-14 PTPBR L/P</p>   |
|  <p>TE Part # 770008-3<br/>UMNL II SOK PTPPHBZ</p>         |  <p>TE Part # 770007-1<br/>UMNL II PIN PTPBR</p>                    |  <p>TE Part # 350218-1<br/>UMNL PIN 20-14 .0126PTPBR</p>        |  <p>TE Part # 350536-1<br/>UMNL SOK 20-14 .0126 PTPBR</p> |
|  <p>TE Part # 770251-4<br/>UMNL II SOK SN/AUNI/PHBZ LP</p> |  <p>TE Part # 2362810-1<br/>SDE CRIMP HAND TOOL FRAME W /O DIES</p> |  <p>TE Part # 2378745-2<br/>SDE F UMNL/MNL 14-20AWG DIE SET</p> |  |

### Customers Also Bought



## Documents

### Datasheets & Catalog Pages

#### CRIMPING TERMINALS

English

#### Bottoming Dies

English

#### SDE Crimp Commercial Tool System

English

### Instruction Sheets

#### Instruction Sheet (U.S.)

English

#### Instruction Sheet (U.S.)

English